

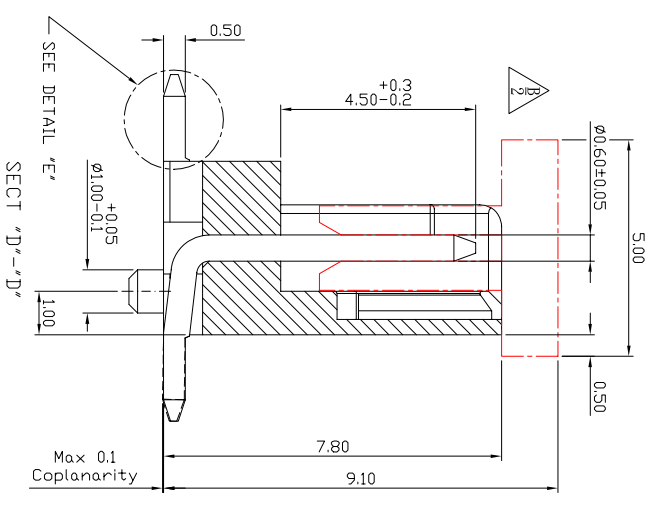
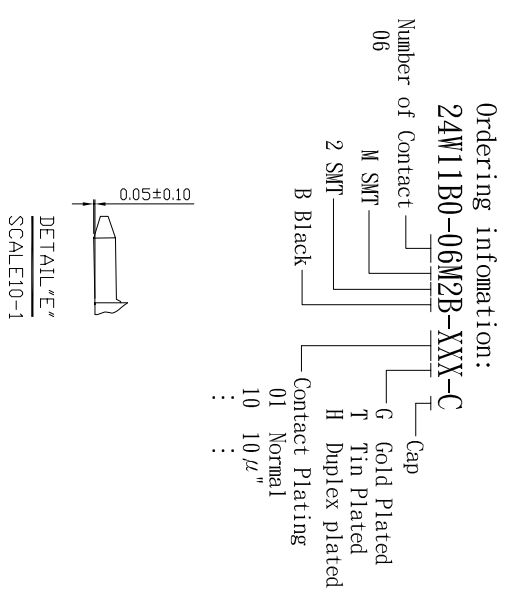
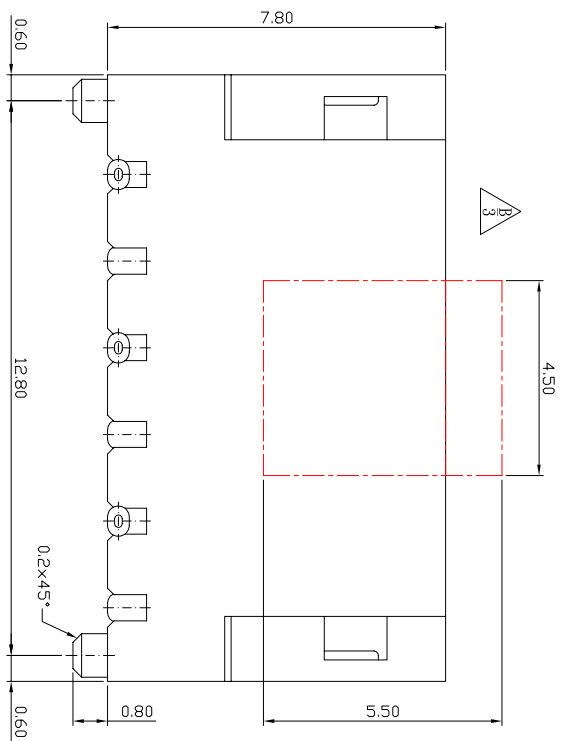
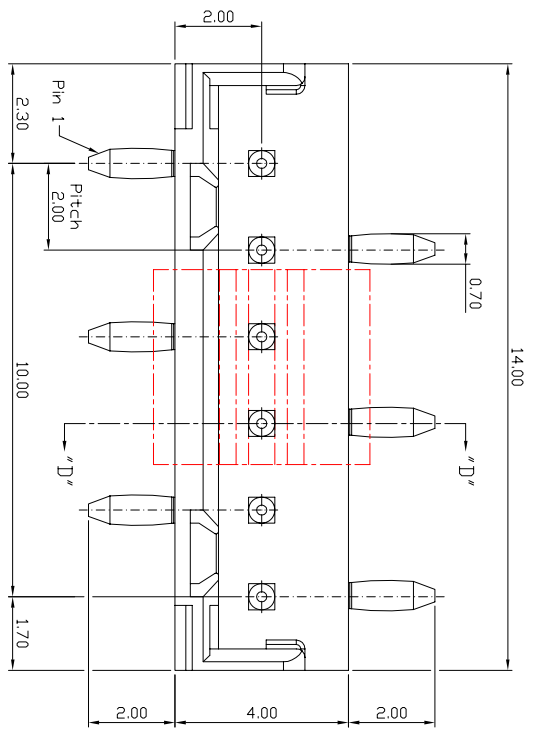
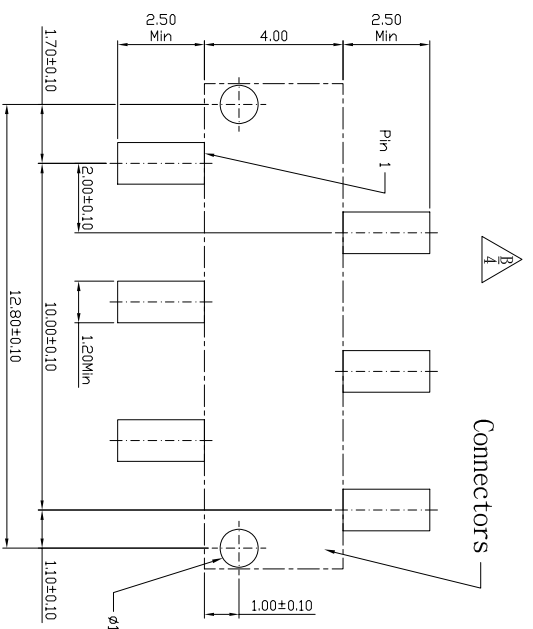
REV.	DESCRIPTION	DRW.	CHK.	APP.	DATE
A	RELEASE				
B	增修尺寸及Cap型態	Ken Wang	王盛富	郭豐榮	97.10.21
C	增修重點尺寸檢驗	Ken Wang	王盛富	郭豐榮	97.11.07

SPECIFICATIONS

Voltage: 100V AC(rms)/DC
 Current Rating: 1A AC(rms)/DC
 Insulator Resistance: 1000 Megohms Min.
 Contact Resistance: 20 m ohms Max.
 Dielectric Withstanding: 500V AC /minute
 Operating Temperature: -25°C ~ +85°C

MATERIAL:
 Housing: PA-6T UL94V-0
 Color: Black OR Natural
 Terminal Copper Alloy

RoHS Compliant



成品規格圖

TITLE		PH2.00mm Connectors	APP.	ANGLES	±3°	SIZE	A4
PART NO		24W11B0-06M2B-XXX-C	CHK.	LINEAR	0.0 ±0.38	SCALE	NONE
DRW NO		24W0084	DR.		0.00±0.25	SHEET	1/2
UNIT	mm(INCH)	PROJECT	Ken Wang	JVEGLOBAL			
			97.02.04				

RECOMMENDED P. C. B. LAYOUT
 (P. C. B THK: 0.8mm Min)