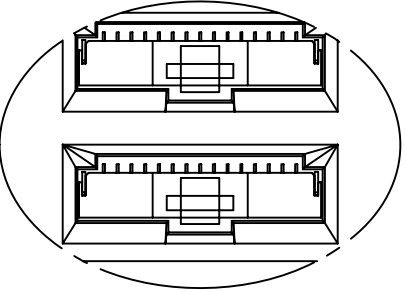
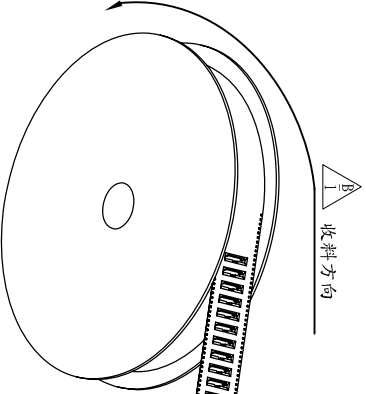
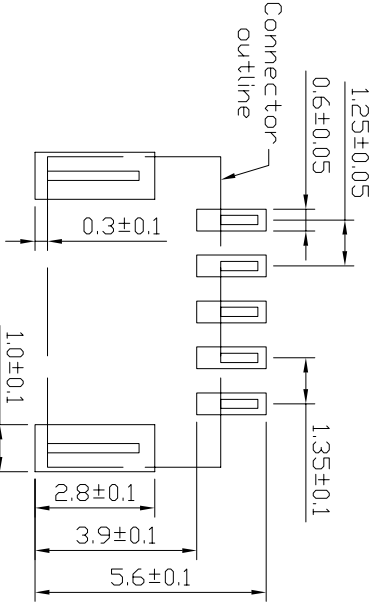
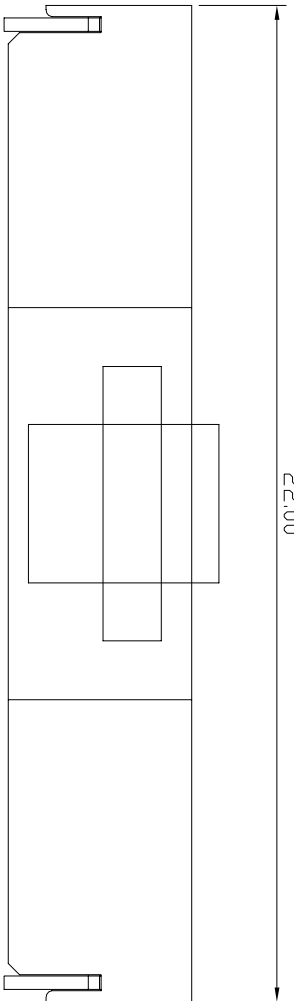
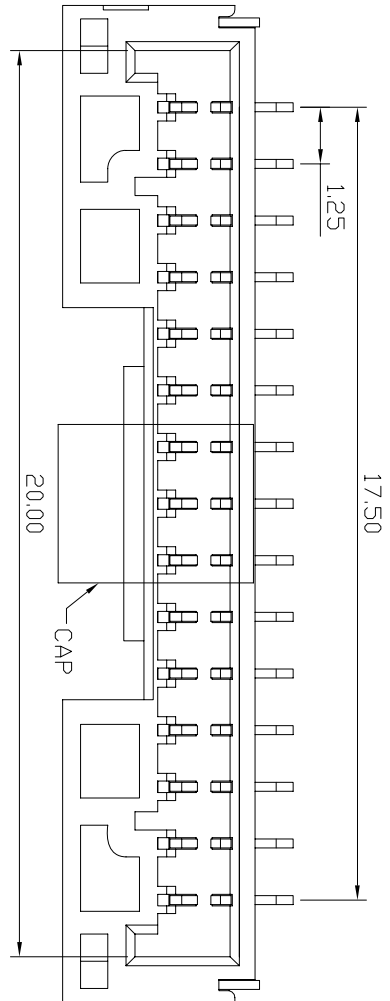


REV.	DESCRIPTION	DRW.	CHK.	APP.	DATE
A	RELEASE				
B	增加包裝收料方向	HILL	王盛富	郭豐榮	98.06.28

**SPECIFICATIONS**

Current Rating: 1 Amp  
Voltage Rating: 100V  
Insulator resistance: 1000 Megohms Min.  
Contact Resistance: 20 m ohms Max.  
Dielectric withstanding: AC 500V/minute  
Operating Temperature: -40° ~ +105° C  
Contact Material: Phosphor Bronze  
Solder Material: Brass  
Insulator Material: Nylon-6T UL94V-0  
Standard Color: Milky Yellow  
Finish: Contact: Matte Tin plated  
Solder: Matte Tin plated

**ROHS Compliant**



Ordering information:  
**24W1122-XXS20-XXX-C**  
Number of Contact: 02-15  
Color: \_\_\_\_\_  
Cap: \_\_\_\_\_  
G Gold Plated  
T Tin Plated  
H Duplex Plated  
Contact Plating:  
01 Normal  
10 10 μ"  
11 Normal matte tin

**成品規格圖**

TITLE	Pitch 1.25mm Water Connectors Straight Type	CHK.	APP.
PART NO	24W1122-XXS20-XXX-C		
DRW NO	24W0089	DR.	HILL
UNIT	mm(INCH)	PROJECT	98.06.18

ANGLES	±3°	SIZE	A4
LINEAR	0.0 ±0.38	SCALE	4:1
	0.00±0.25	SHEET	1/1



RECOMMENDED P.C.B. LAYOUT