

REV.	DESCRIPTION	DRW.	CHK.	APP.	DATE
A	RELEASE				

SPECIFICATIONS

Current Rating:
1 Amp

Voltage Rating:
100V

Insulator resistance:
1000 Megohms Min.

Contact Resistance:
20 m ohms Max.

Dielectric withstanding:
AC 500V/minute

Operating Temperature:
-40° ~ +105°C

Contact Material:
Phosphor Bronze

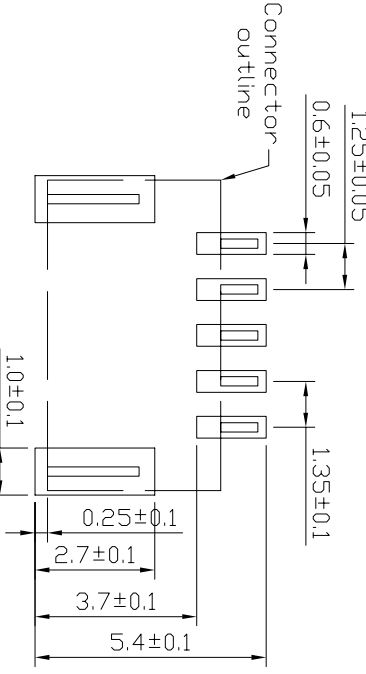
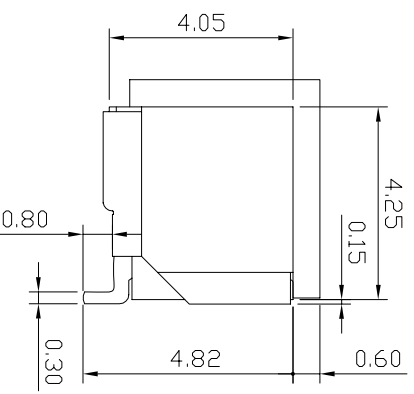
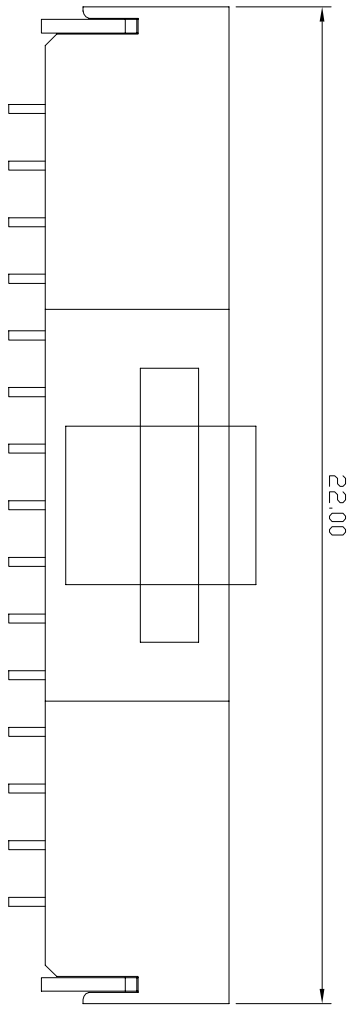
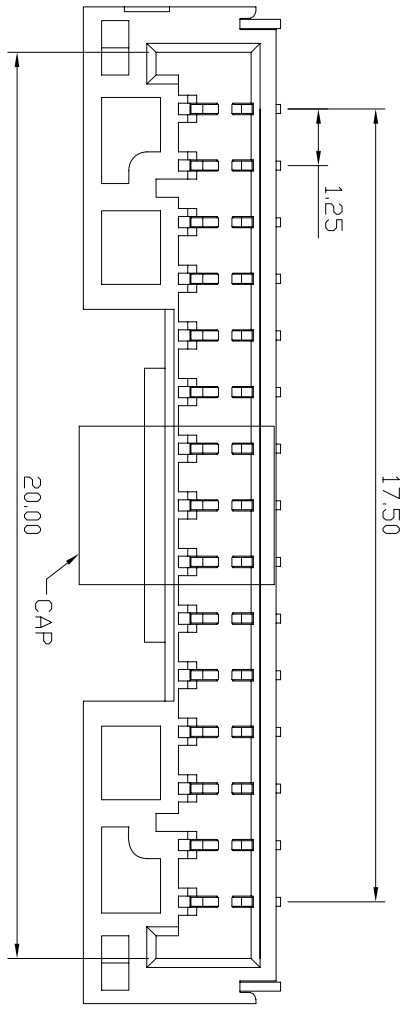
Solder Material:
Brass

Insulator Material:
Nylon-6T UL94V-0

Standard Color: Milky Yellow

Finish:
Contact: Matte Tin plated
Solder: Matte Tin plated

ROHS Compliant



Ordering information:
24W1122-XXR20-XXX-C

Number of Contact: 02-15

Color: _____

Cap: _____

G Gold Plated
T Tin Plated
H Duplex Plated

Contact Plating:
01 Normal
10 10 μ"
11 Normal matte tin

成品規格圖

TITLE	Pitch 1.25mm Wafer Connectors R/A Type	APP.	ANGLES	±3°	SIZE	A4
PART NO	24W1122-XXR20-XXX-C	CHK.	LINEAR	0.0 ±0.38	SCALE	4:1
DRW/NO	24W0088	DR.		0.00±0.25	SHEET	1/1
UNIT	mm(INCH)	PROJECT	PROJECT		PROJECT	
			HILL		98.06.18	



RECOMMENDED P.C.B. LAYOUT

1 2 3 4 5 6 7 8