

REV.	DESCRIPTION	DRW.	CHK.	APP.	DATE
A	RELEASE				

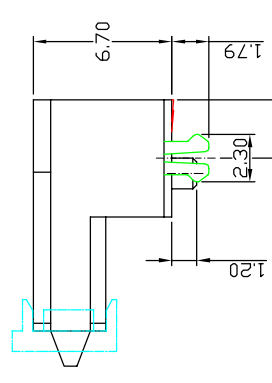
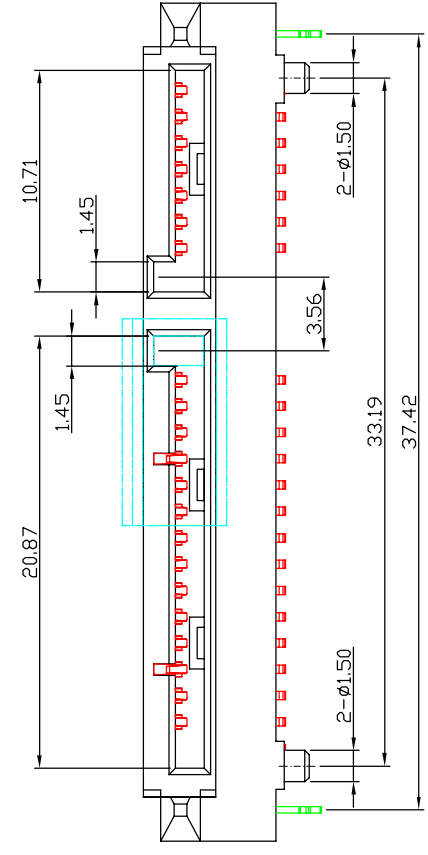
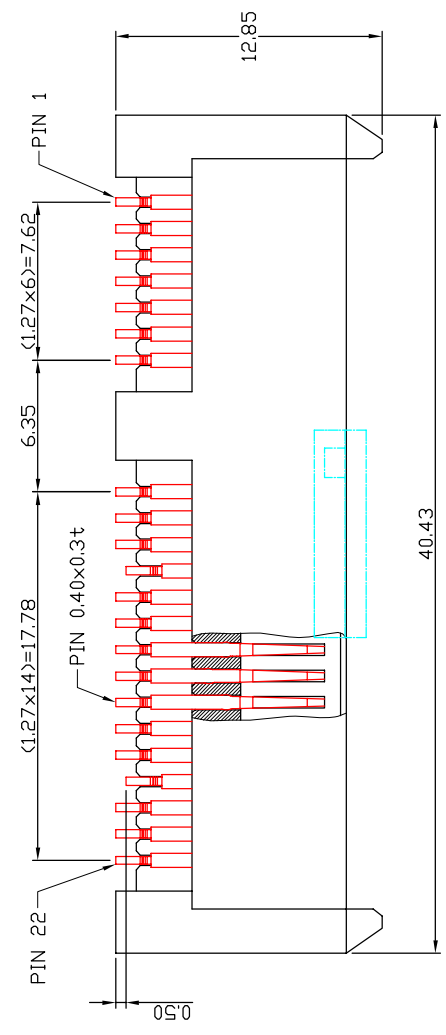
SPECIFICATIONS

- MATERIAL:**
 HOUSING: THERMOPLASTIC, HIGH TEMP, 30% G/F
 COLOR: BLACK
 CONTACT: PHOSPHOR BRONZE
 BOARDLOCK: BRASS
- FINISH**
 CONTACT: GOLD PLATING ON CONTACT AREA
 100u' MIN. TIN PLATING ON SOLDERTAIL
 50u' MIN. NICKEL UNDERPLATING OVER
 BOARDLOCK: 50u' MIN.
 NICKEL PLATING OVER ALL

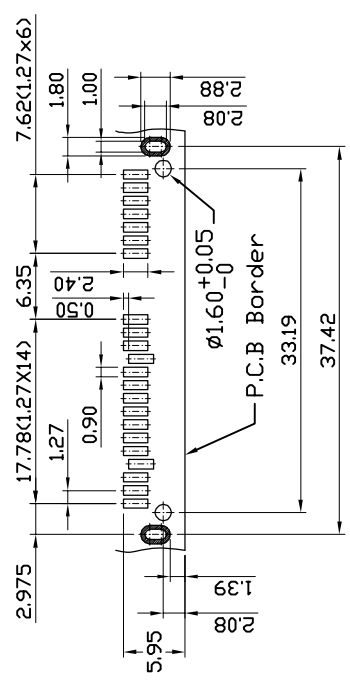
RoHS Compliance

Ordering information:
 22P6731-22M10B-XXX-C-03

Number of Contact: 22
 Color: CAP
 G Gold Plated
 T Tin Plated
 H Duplex plated
 Contact Plating:
 01 Normal
 10 10u'
 :



Ref.



RECOMMENDED P. C. B. LAYOUT

成品規格圖		APP.	ANGLES	±3°	SIZE	A4
TITLE	SATA High 6.7 (Up Board)	CHK.	LINEAR	0.0 ±0.38	SCALE	3:1
PART NO	22P6731-22M10B-XXX-C-03			0.00±0.25	SHEET	1/1
DRW NO		DR.				
UNIT	mm(INCH)	PROJECT				
		KEN				
						96.01.04

