

REV.	DESCRIPTION	DRW.	CHK.	APP.	DATE
A	RELEASE				

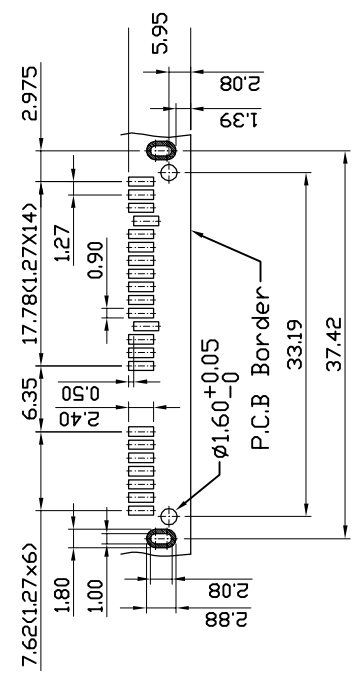
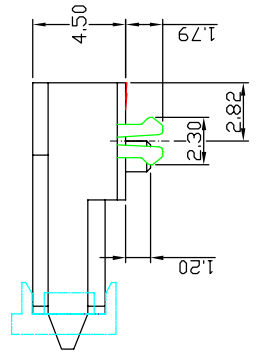
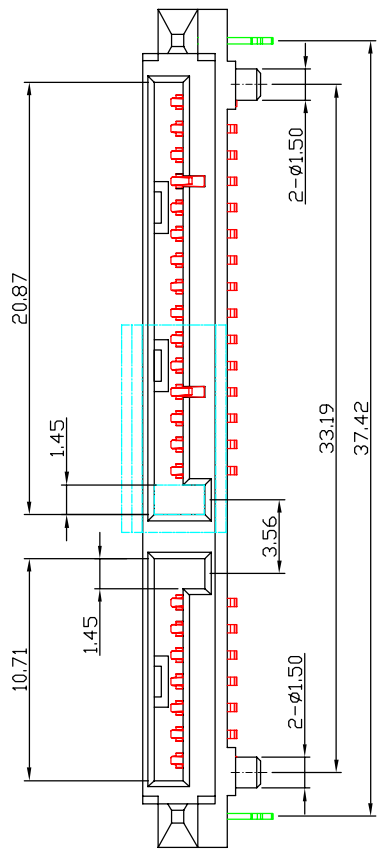
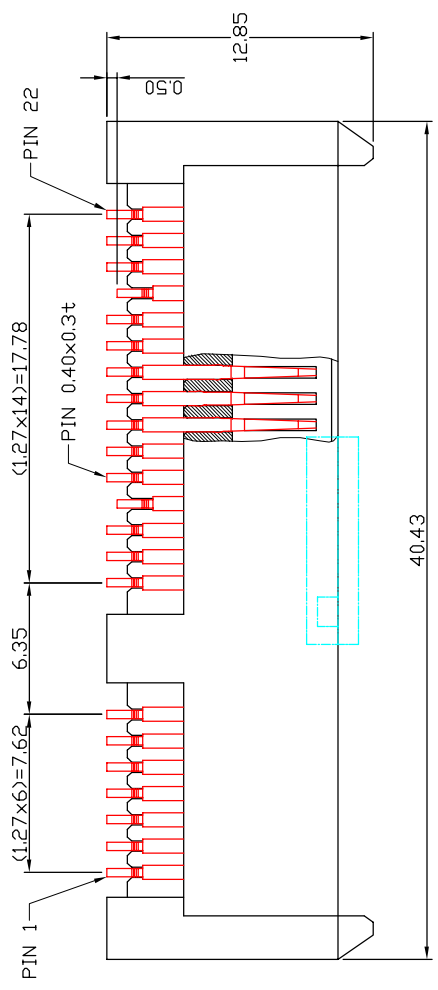
SPECIFICATIONS

- MATERIAL:**
 HOUSING: THERMOPLASTIC, HIGH TEMP, 30% G/F
 COLOR: BLACK
 CONTACT: PHOSPHOR BRONZE
 BOARDLOCK: BRASS
- FINISH**
 CONTACT: GOLD PLATING ON CONTACT AREA
 100u' MIN. TIN PLATING ON SOLDERTAIL
 50u' MIN. NICKEL UNDERPLATING OVER
 BOARDLOCK: 50u' MIN.
 NICKEL PLATING OVER ALL

RoHS Compliance

Ordering information:
 22P6731-22M10B-XXX-C-01

- Number of Contact: 22
- Color: CAP
- G Gold Plated
- T Tin Plated
- H Duplex plated
- Contact Plating
- 01 Normal
- 10 10u'
- ∴
- ∴



Ref.

成品規格圖		APP.	ANGLES	±3°	SIZE	A4
TITLE		SATA High 4.5(Under Board)	LINEAR	0.0 ±0.38	SCALE	3:1
PART NO		22P6731-22M10B-XXX-C-01		0.00±0.25	SHEET	1/1
DRW NO						
UNIT		mm(INCH)	PROJECT	◎	DR.	KEN
						96.01.04



RECOMMENDED P. C. B. LAYOUT