

REV.	DESCRIPTION	DRW.	CHK.	APP.	DATE
A	RELEASE				

NOTES:

1 MATERIAL :

- ① HOUSING : NYLON PA6T/46, UL 94V-0. COLOR: BLACK or RED
- ② CONTACT : BRASS, C2680R-H, T=0.25MM, GOLD OVER NICKEL PLATED 100u" MINIMUM TIN/LEAD ON SOLDER TAILS OVER NICKEL PLATED.
- ③ SHELL : BRASS, C2680R-H, T=0.30MM

2. DIMENSIONS MARKED TO BE CHECKED BY QC.

SPECIFICATIONS :

1. ELECTRICAL :

- 1.1 CONTACT RESISTANCE : 45 MILLIOHMS MAX. AFTER PHYSICAL AND ENVIRONMENTAL TESTING.
- 1.2 DIELECTRIC WITHSTANDING VOLTAGE : 500 VAC FOR 1 MINUTE.
- 1.3 INSULATION RESISTANCE : 1000 MEGAOHMS MIN. @500 VDC.

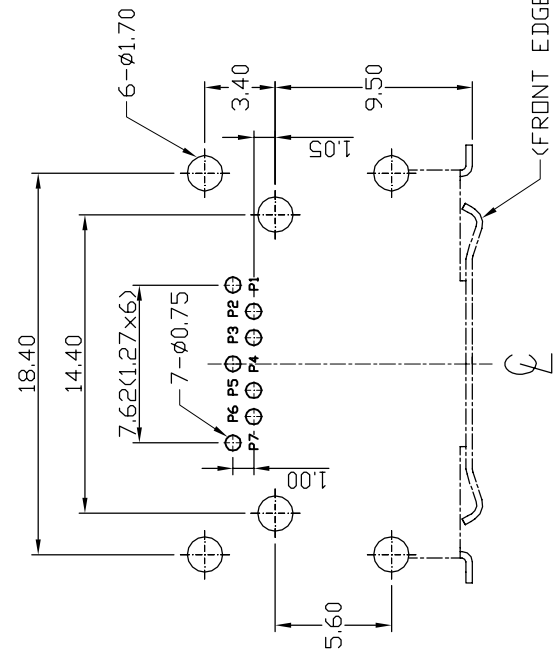
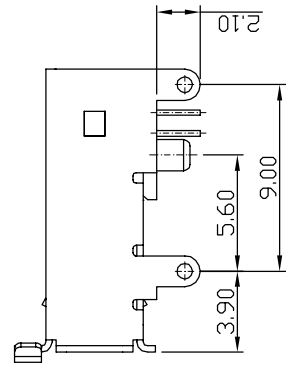
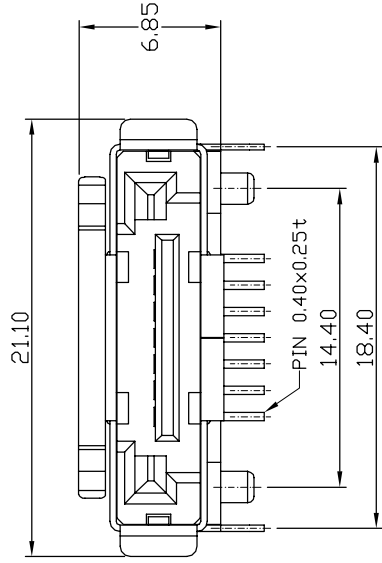
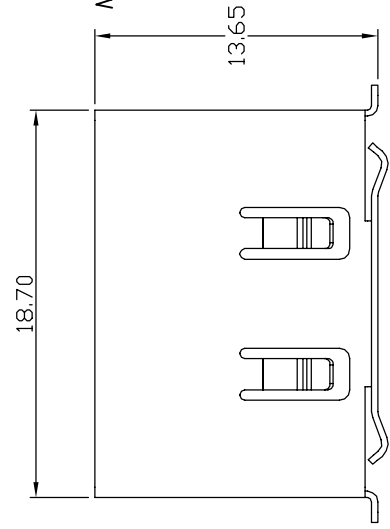
2. MECHANICAL:

- 2.1 RETENTION FORCE: 0.46 KG/PIN MIN.
- 2.2 MATING AND UNMATING FORCE WITH CABLE: MATING FORCE: 4.5KG MAX. UNMATING: 1KG MIN.

RoHS Compliance

Ordering information:
22L6730-07R10X-XXX-01

- G Gold Plated
 - T Tin Plated
 - H Duplex plated
- Number of Contact
7
- Color
- Contact Plating
 01 Normal
 10 10 μ "
 :
 :
 :



Ref.

APP.		ANGLES	±3°	SIZE	A4
成品規格圖		LINEAR	0.0 ±0.38	SCALE	3:1
TITLE E-SATA(90°DIP PLUG單彈片)		0.00±0.25		SHEET	1/1
PART NO 22L6730-07R10X-XXX-01					
DRW NO	DR.	KEN		96.01.04	
UNIT	mm(INCH)	PROJECT			

RECOMMENDED P. C. B. LAYOUT

