

REV.	DESCRIPTION	DRW.	CHK.	APP.	DATE
A	RELEASE				

NOTES:

1 MATERIAL :

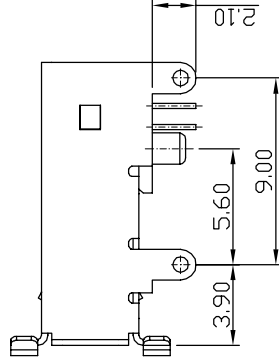
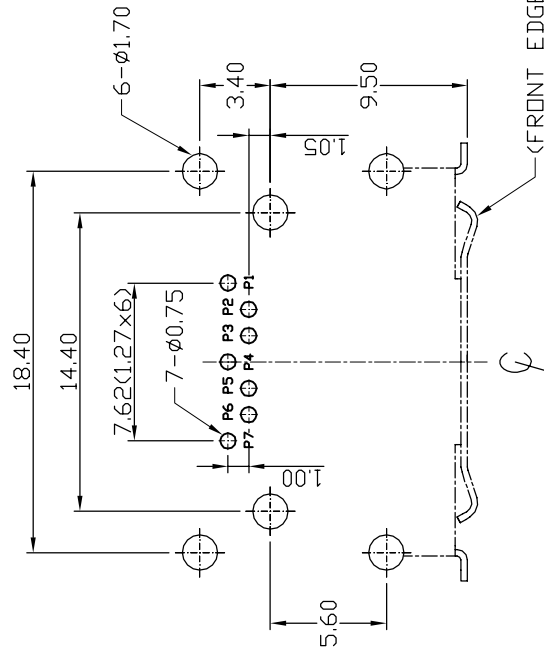
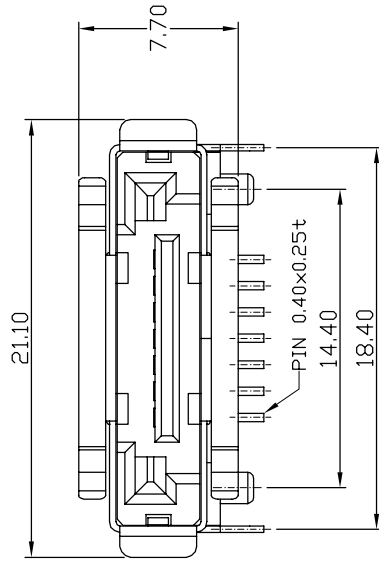
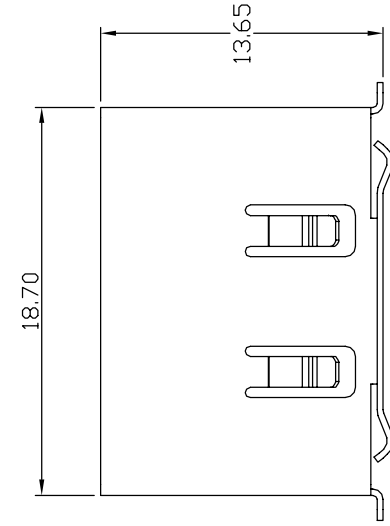
- ① HOUSING : NYLON PA6T/46, UL 94V-0. COLOR: BLACK or RED
- ② CONTACT : BRASS, C2680R-H, T=0.25MM, GOLD OVER NICKEL PLATED
100u" MINIMUM TIN/LEAD ON SOLDER TAILS OVER NICKEL PLATED.
- ③ SHELL : BRASS, C2680R-H, T=0.30MM

2. DIMENSIONS MARKED TO BE CHECKED BY QC.

SPECIFICATIONS :

- 1. ELECTRICAL :**
 - 1.1 CONTACT RESISTANCE : 45 MILLIOHMS MAX. AFTER PHYSICAL AND ENVIRONMENTAL TESTING.
 - 1.2 DIELECTRIC WITHSTANDING VOLTAGE : 500 VAC FOR 1 MINUTE.
 - 1.3 INSULATION RESISTANCE : 1000 MEGAOHMS MIN. @500 VDC.
- 2. MECHANICAL:**
 - 2.1 RETENTION FORCE: 0.46 KG/PIN MIN.
 - 2.2 MATING AND UNMATING FORCE WITH CABLE: MATING FORCE: 4.5KG MAX. UNMATING: 1KG MIN.

RoHS Compliance



Ordering information:
22L6730-07R10X-XXX

Number of Contact: 7

Color: _____

- G Gold Plated
 - T Tin Plated
 - H Duplex plated
- Contact Plating
- 01 Normal
 - 10 10.μ"
 - ∴ ∴ ∴

Ref.

TITLE		APP.	ANGLES	±3°	SIZE
成品規格圖			LINEAR	0.0 ±0.38	A4
E-SATA(90° DIP PLUG H=2.1mm)CHK.				0.00±0.25	3:1
PART NO 22L6730-07R10X-XXX					1/1
DRW NO		DR.	KEN		
UNIT	mm(INCH)	PROJECT	96.01.04		



RECOMMENDED P. C. B. LAYOUT