

REV.	DESCRIPTION	DRW.	CHK.	APP.	DATE
A	RELEASE				

**NOTES:**

**1 MATERIAL :**

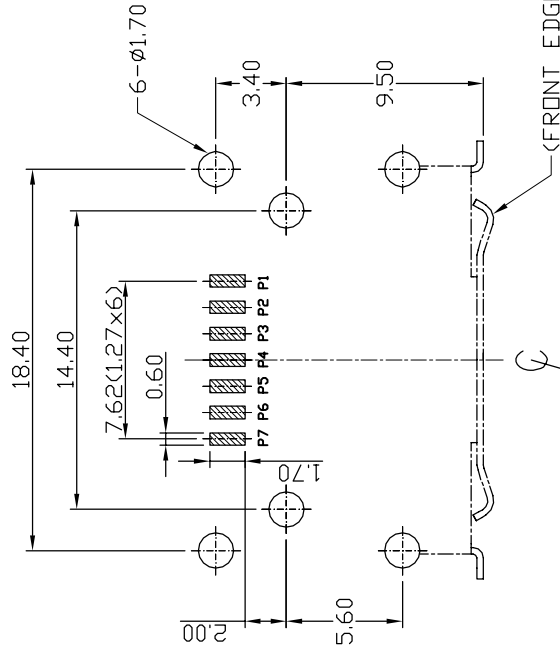
- ① HOUSING : NYLON PA6T/46, UL 94V-0. COLOR: BLACK or RED
- ② CONTACT : BRASS, C2680R-H, T=0.25MM, GOLD OVER NICKEL PLATED  
100u" MINIMUM TIN/LEAD ON SOLDER TAILS OVER NICKEL PLATED.
- ③ SHELL : BRASS, C2680R-H, T=0.30MM

**2. DIMENSIONS MARKED TO BE CHECKED BY QC.**

**SPECIFICATIONS :**

- 1. ELECTRICAL :**
  - 1.1 CONTACT RESISTANCE : 45 MILLIOHMS MAX. AFTER PHYSICAL AND ENVIRONMENTAL TESTING.
  - 1.2 DIELECTRIC WITHSTANDING VOLTAGE : 500 VAC FOR 1 MINUTE.
  - 1.3 INSULATION RESISTANCE : 1000 MEGAOHMS MIN. @500 VDC.
- 2. MECHANICAL:**
  - 2.1 RETENTION FORCE: 0.46 KG/PIN MIN.
  - 2.2 MATING AND UNMATING FORCE WITH CABLE: MATING FORCE: 4.5KG MAX. UNMATING: 1KG MIN.

**RoHS Compliance**



RECOMMENDED P. C. B. LAYOUT

**Ordering information:**

22N6830-07MR1X-XXX-02

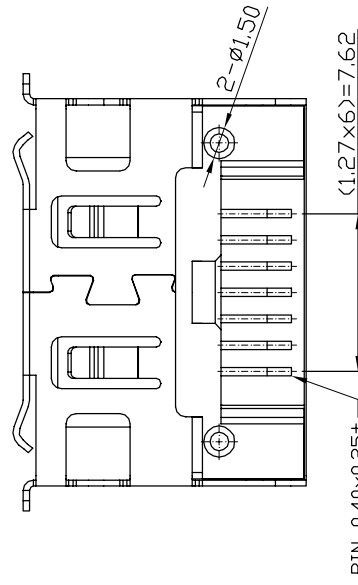
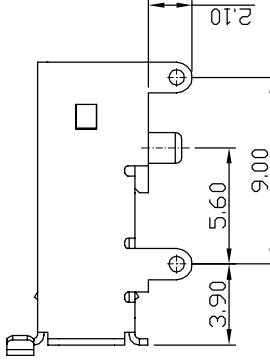
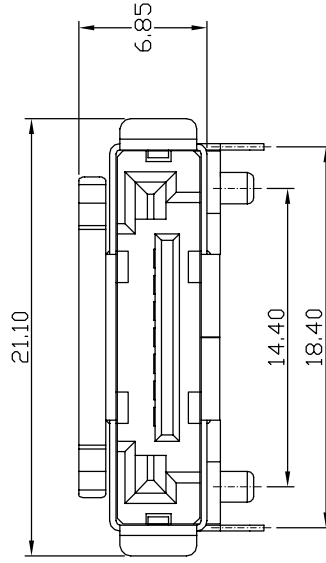
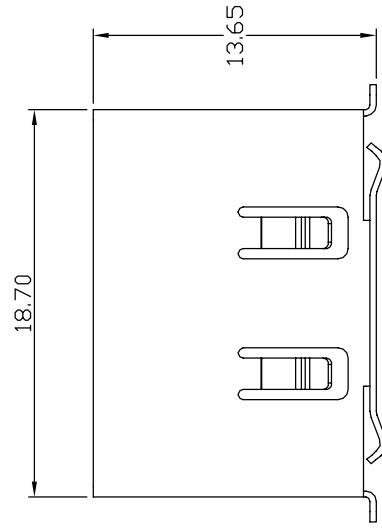
Number of Contact  
7

Color

Contact Plating

- 01 Normal
- 10 10.μ"
- ∴
- ∴

- G Gold Plated
- T Tin Plated
- H Duplex plated



**Ref.**

成品規格圖		APP.	ANGLES	±3°	SIZE	A4
TITLE E-SATA(90° SMT PLUG單彈片)		CHK.	LINEAR	0.0 ±0.38	SCALE	3:1
PART NO 22N6830-07MR1X-XXX-02				0.00±0.25	SHEET	1/1
DRW NO		DR.	KEN			
UNIT	mm(INCH)	PROJECT	96.01.04			

