

REV.	DESCRIPTION	DRW.	CHK.	APP.	DATE
A	RELEASE				

NOTES:

1 MATERIAL :

- ① HOUSING : NYLON PA6T/46, UL 94V-0. COLOR: BLACK or RED
- ② CONTACT : BRASS, C2680R-H, T=0.25MM, GOLD OVER NICKEL PLATED
100u" MINIMUM TIN/LEAD ON SOLDER TAILS OVER NICKEL PLATED.
- ③ SHELL : BRASS, C2680R-H, T=0.30MM

2. DIMENSIONS MARKED TO BE CHECKED BY QC.

SPECIFICATIONS :

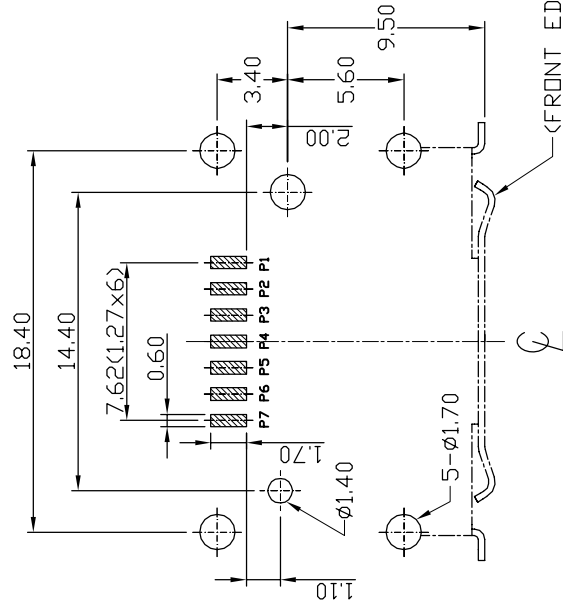
1. ELECTRICAL :

- 1.1 CONTACT RESISTANCE : 45 MILLIOHMS MAX. AFTER PHYSICAL AND ENVIRONMENTAL TESTING.
- 1.2 DIELECTRIC WITHSTANDING VOLTAGE : 500 VAC FOR 1 MINUTE.
- 1.3 INSULATION RESISTANCE : 1000 MEGAOHMS MIN. @500 VDC.

2. MECHANICAL:

- 2.1 RETENTION FORCE: 0.46 KG/PIN MIN.
- 2.2 MATING AND UNMATING FORCE WITH CABLE: MATING FORCE: 4.5KG MAX. UNMATING: 1KG MIN.

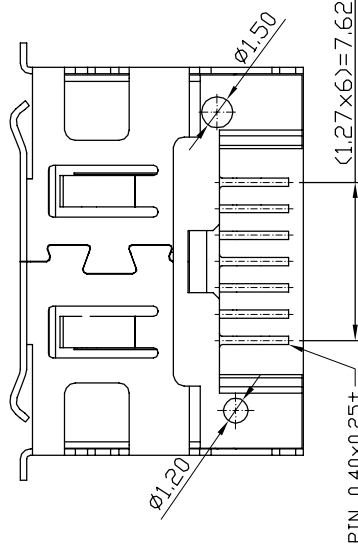
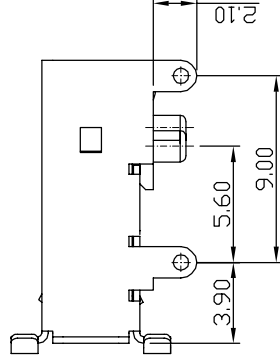
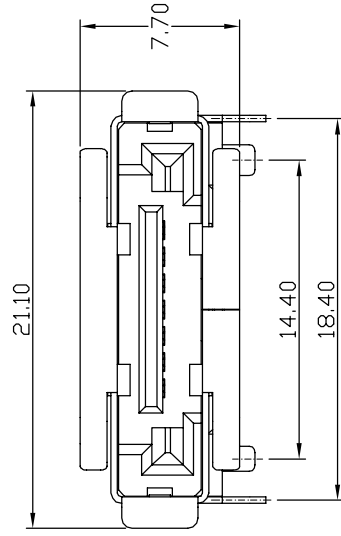
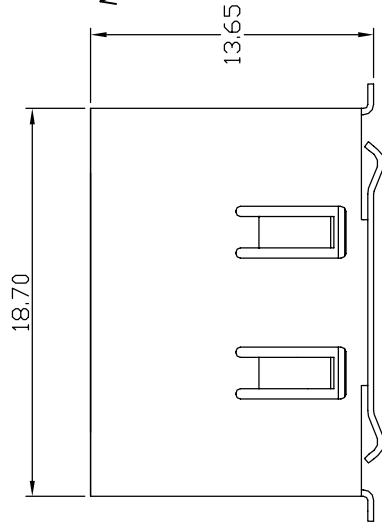
RoHS Compliance



RECOMMENDED P. C. B. LAYOUT

Ordering information:
22N6830-07MR1X-XXX-01

Number of Contact: 7
Color: _____
Contact Plating:
G Gold Plated
T Tin Plated
H Duplex plated
01 Normal
10 10µ"



Ref.

成品規格圖		APP.	ANGLES	±3°	SIZE	A4
TITLE E-SATA(90° SMT PLUG反Pin插)		CHK.	LINEAR	0.0 ±0.38	SCALE	3:1
PART NO 22N6830-07MR1X-XXX-01				0.00±0.25	SHEET	1/1
DRW NO		DR.	KEN			
UNIT	mm(INCH)	PROJECT	96.01.04			

