

REV.	DESCRIPTION	DRW.	CHK.	APP.	DATE
A	RELEASE				

NOTES:

1 MATERIAL :

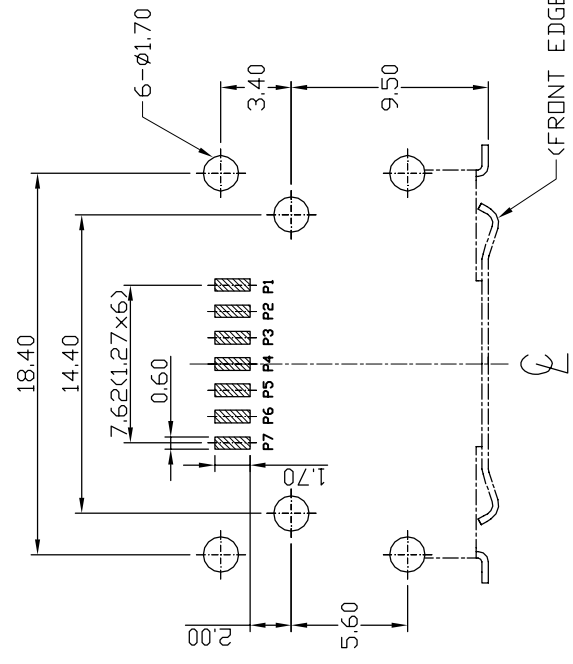
- ① HOUSING : NYLON PA6T/46, UL 94V-0. COLOR: BLACK or RED
- ② CONTACT : BRASS, C2680R-H, T=0.25MM, GOLD OVER NICKEL PLATED
100u" MINIMUM TIN/LEAD ON SOLDER TAILS OVER NICKEL PLATED.
- ③ SHELL : BRASS, C2680R-H, T=0.30MM

2. DIMENSIONS MARKED TO BE CHECKED BY QC.

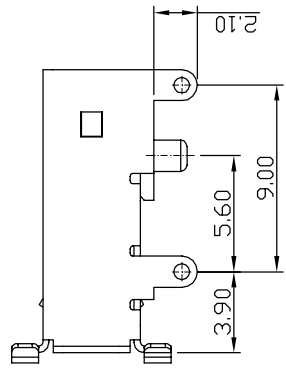
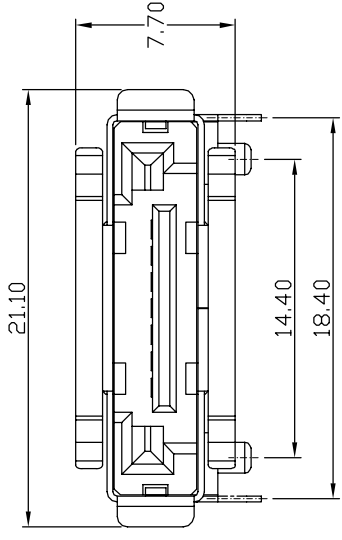
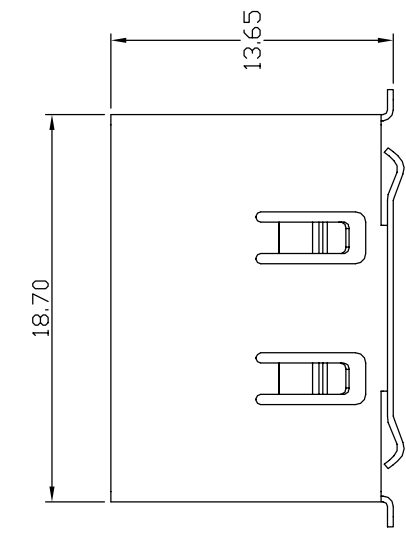
SPECIFICATIONS :

- 1. ELECTRICAL :**
 - 1.1 CONTACT RESISTANCE : 45 MILLIOHMS MAX. AFTER PHYSICAL AND ENVIRONMENTAL TESTING.
 - 1.2 DIELECTRIC WITHSTANDING VOLTAGE : 500 VAC FOR 1 MINUTE.
 - 1.3 INSULATION RESISTANCE : 1000 MEGAOHMS MIN. @500 VDC.
- 2. MECHANICAL:**
 - 2.1 RETENTION FORCE: 0.46 KG/PIN MIN.
 - 2.2 MATING AND UNMATING FORCE WITH CABLE: MATING FORCE: 4.5KG MAX. UNMATING: 1KG MIN.

RoHS Compliance



RECOMMENDED P. C. B. LAYOUT



Ordering information:
22N6830-07MR1X-XXX

Number of Contact: **7**
 Color: _____

Contact Plating:
 G Gold Plated
 T Tin Plated
 H Duplex plated
 01 Normal
 10 10.µ"

Ref.

APP.	ANGLES	±3°	SIZE	A4
	LINEAR	0.0 ±0.38	SCALE	3:1
		0.00±0.25	SHEET	1/1

成品規格圖

TITLE	E-SATA(90° SMT PLUG)
PART NO	22N6830-07MR1X-XXX
DRW NO	
UNIT	mm(INCH) PROJECT
DR.	KEN
	96.01.04



RECOMMENDED P. C. B. LAYOUT