

REV.	DESCRIPTION	DRW.	CHK.	APP.	DATE
A	RELEASE				

SPECIFICATIONS

Current Rating:

3 Amp

Insulator Resistance:

1000 Megohms Min.

Contact Resistance:

30 m ohms Max.

Voltage:

AC 650V

Operating Temperature :

-40°C ~ +105°C

Contact Material:

Copper Alloy

Insulator Material:

PBT UL94V-0

Finish:

Gold plated

RoHS Compliance

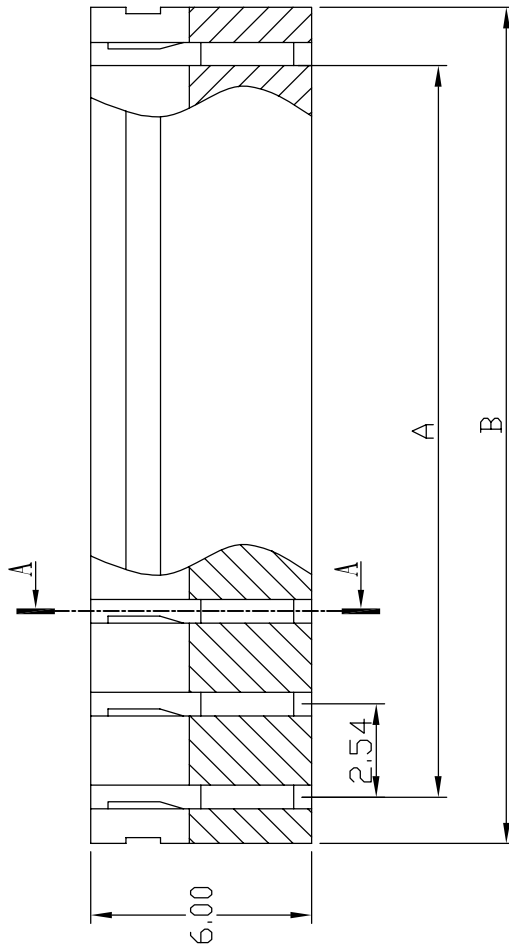
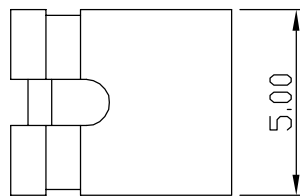
Ordering information:

27S3002-XXOPS-01G-X

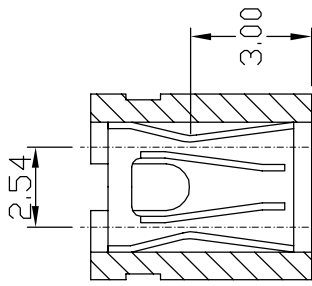
Contact Plating
 01 Normal
 10 10 μ "
 :
 :
 G Gold Plated
 T Tin Plated
 H Duplex plated

COLOR
 Y YELLOW
 G GREEN
 U BLUE
 W WHITE
 B BLACK

Part No.	Pins	Circuits	Dimension mm	
			A	B
27S3002-04OPS-01G-X	2x2	2	2.54	5.08
27S3002-06OPS-01G-X	2x3	3	5.08	7.62
27S3002-08OPS-01G-X	2x4	4	7.62	10.16
27S3002-10OPS-01G-X	2x5	5	10.16	12.70
27S3002-12OPS-01G-X	2x6	6	12.70	15.24
27S3002-14OPS-01G-X	2x7	7	15.24	17.78
27S3002-16OPS-01G-X	2x8	8	17.78	20.32
27S3002-18OPS-01G-X	2x9	9	20.32	22.86
27S3002-20OPS-01G-X	2x10	10	22.86	25.40
27S3002-22OPS-01G-X	2x11	11	25.40	27.94
27S3002-24OPS-01G-X	2x12	12	27.94	30.48



CONTACT PITCH



SECTION A-A

Ref.

APP.		ANGLES	±3°	SIZE	A4
CHK.		LINEAR	0.0 ±0.38	SCALE	3:1
DR. KEN			0.00±0.25	SHEET	1/1
PROJECT		96.01.04			
UNIT		mm(INCH)			
TITLE		2.54mm MINI JUMP			
PART NO		27S3002-XXOPS-01G-X			