

REV.	DESCRIPTION	DRW.	CHK.	APP.	DATE
A	RELEASE				

SPECIFICATIONS

Current Rating:
3 Amp

Insulator Resistance:
1000 Megohms Min.

Contact Resistance:
30 m ohms Max.

Voltage:
AC 650V

Operating Temperature :
-40°C ~ +105°C

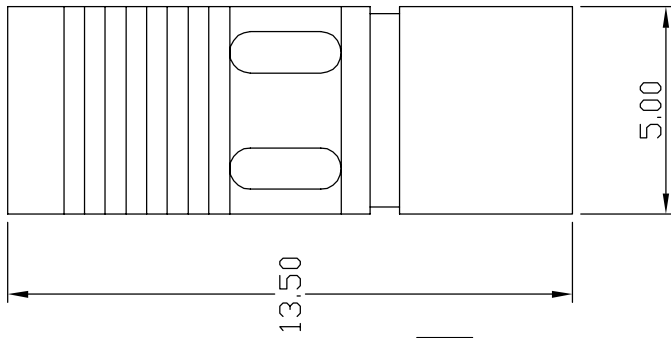
Contact Material:
Copper Alloy

Insulator Material:
Nylon-66 UL94V-0

Finish:
Gold plated

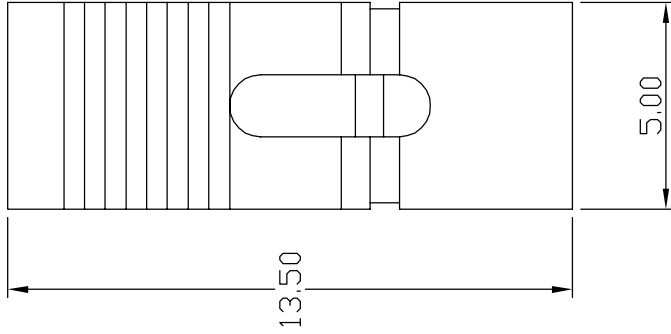
RoHS Compliance

CLOSE TYPE



P/N: 27S1002-CLH13-01G-X

OPEN TYPE



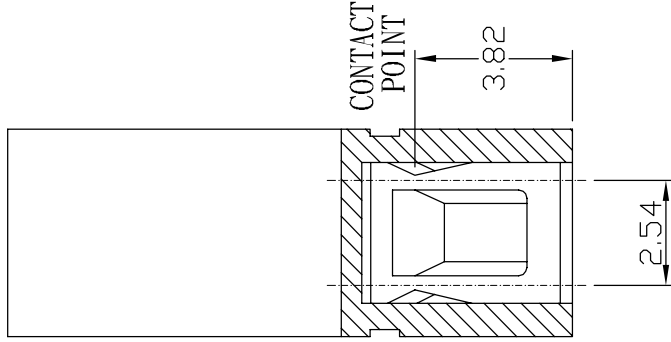
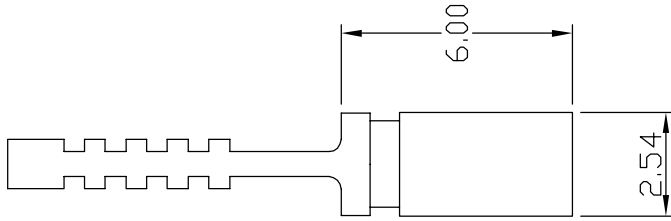
P/N: 27S1002-OPH13-01G-X

Ordering information:

27S1002-XXH13-01G-X

Contact Plating
01 Normal
10 10 μ"
:
:
:
G Gold Plated
T Tin Plated
H Duplex plated

COLOR
R RED
Y YELLOW
G GREEN
U BLUE
W WHITE
B BLACK



CONTACT PITCH

Ref.

成品規格圖		APP.	ANGLES	±3°	SIZE	A4
TITLE	2.54mm MINI JUMP	CHK.	LINEAR	0.0 ±0.38	SCALE	3:1
PART NO	27S1002-XXH13-01G-X			0.00±0.25	SHEET	1/1
DRW NO		DR.	KEN			
UNIT	mm(INCH)	PROJECT	◎			
	5			96.01.04		

