

REV.	DESCRIPTION	DRW.	CHK.	APP.	DATE
A	RELEASE				

SPECIFICATIONS

Current Rating:
1 Amp
Insulator Resistance:
1000 Megohms Min.
Contact Resistance:
30 m ohms Max.
Voltage:
AC 250V
Operating Temperature :
-40°C ~ +105°C
Contact Material:
Copper Alloy
Insulator Material:
PBT UL94V-0
Finish:
Gold plated

RoHS Compliance

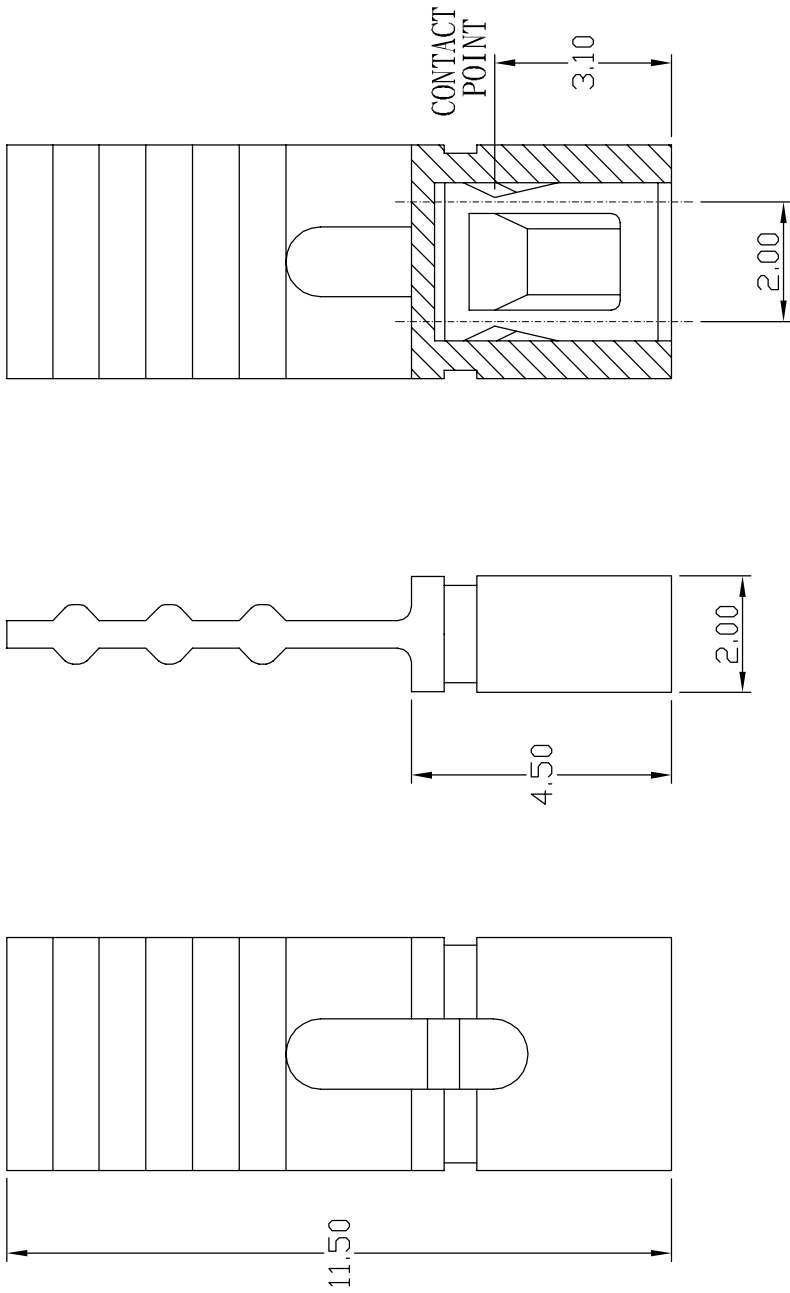
Ordering information:

27S1001-02H13-01G-X

Contact Plating
01 Normal
10 10 μ "
: :
: :

G Gold Plated
T Tin Plated
H Duplex plated

COLOR
B BLACK(Standard)



Ref.

CONTACT PITCH

成品規格圖		APP.	ANGLES	±3°	SIZE	A4
TITLE	2.00mm MINI JUMP	CHK.	LINEAR	0.0 ±0.38	SCALE	3:1
PART NO	27S1001-02H13-01G-X			0.00±0.25	SHEET	1/1
DRW NO		DR.	KEN			
UNIT	mm(INCH)	PROJECT	96.01.04			

