

REV.	DESCRIPTION	DRW.	CHK.	APP.	DATE
A	RELEASE				

**SPECIFICATIONS**

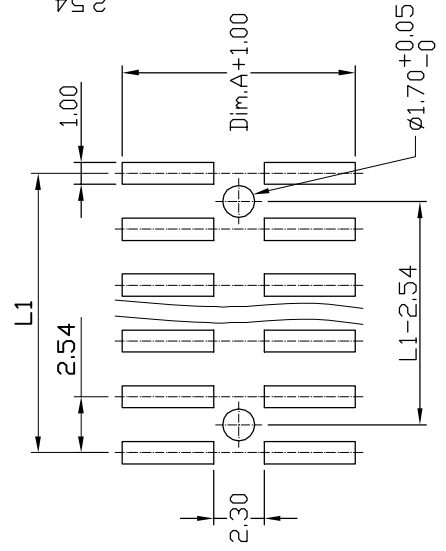
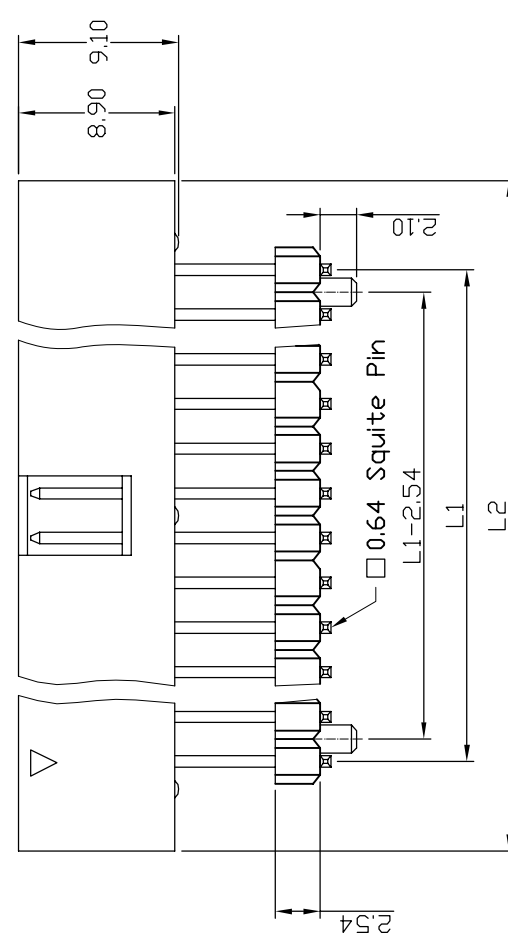
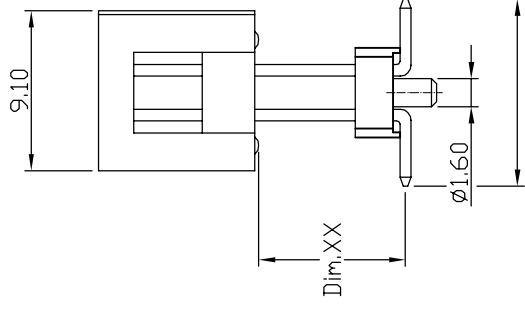
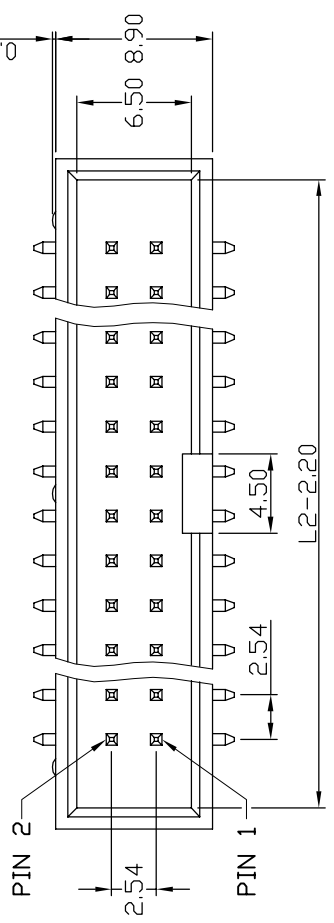
Current Rating: 3 Amp  
 Insulator resistance: 5000 Megohms Min.  
 Contact resistance: 20 m ohms Max.  
 Dielectric withstanding: AC 1000V/minute  
 Operating Temperature: -40° ~ +105°C  
 Contact Material: BRASS  
 Insulator Material: High Temperature Thermoplastic +Glass Fibre UL94V-0  
 Color: Black  
 Finish: Gold, Tin or Duplex plated  
 Standard: Gold flash all over  
 Duplex plated:  
 Gold plated on contact area  
 Tin on solder area

**Ordering information:**

23X6960-XXMXXPX-XXX-A

N Nylon-6T  
 L LCP  
 Number of Contact: 06, 08, 10, 12, 14, 16, 20, 24, 26, 30, 34, 40, 50, 60, 64.  
 Dimension: 50 = 5.00mm, 65 = 6.50mm, XY = X.XXmm  
 Dimension Standard 9.60mm  
 G Gold Plated  
 T Tin Plated  
 H Duplex Plated  
 Contact Plating: 01 Normal, 10 10 μ", : : : :  
 Color

Circuits	Dimension mm	
	L1	L2
2X3	5.08	15.24
2X4	7.62	17.78
2X5	10.16	20.32
2X6	12.70	22.86
2X7	15.24	25.40
2X8	17.78	27.94
2X10	22.86	33.02
2X12	27.94	38.10
2X13	30.48	40.64
2X15	35.56	45.72
2X17	40.64	50.80
2X20	48.26	58.42
2X25	60.96	71.12
2X30	73.66	83.82
2X32	78.74	88.90



**Ref.**

**RoHS Compliance**

APP.	ANGLES	±3°	SIZE	A4
成品規格圖	LINEAR	0.0	±0.38	3:1
TITLE	2.54mm Box Header SMT Type	0.00	±0.25	1/1
PART NO	23X6960-XXMXXPX-XXX-A			
DRW NO				
UNIT	mm(INCH)	PROJECT		

CHK.	DR.	DR. KEN	96.01.04

RECOMMENDED P. C. B. LAYOUT

