

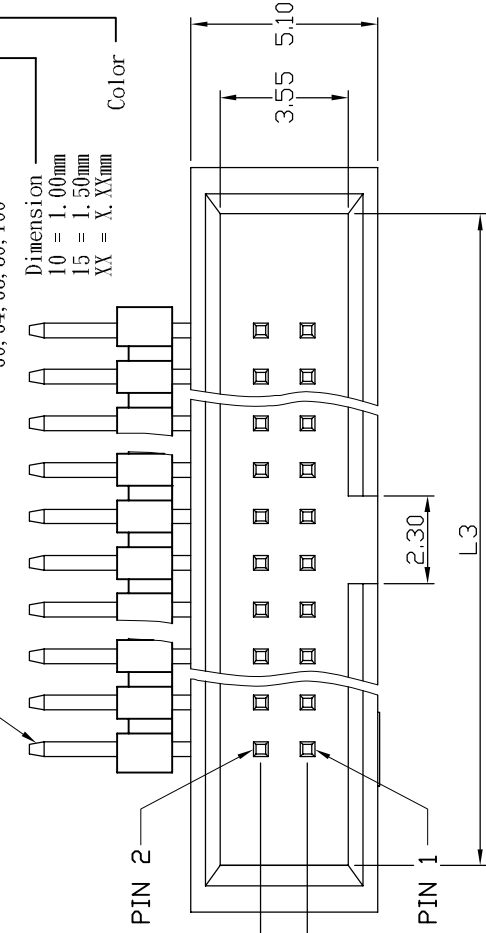
Cir-cuits	Dimension mm		
	L1	L2	L3
2X3	2.54	10.11	8.56
2X5	5.08	12.65	11.10
2X6	6.35	13.92	12.37
2X7	7.62	15.19	13.64
2X8	8.89	16.46	14.91
2X10	11.43	19.00	17.45
2X12	13.97	21.54	19.99
2X13	15.24	22.81	21.26
2X14	16.51	24.08	22.53
2X15	17.78	25.35	23.80
2X17	20.32	27.89	26.34
2X20	24.13	31.70	30.15
2X22	26.67	34.24	32.69
2X25	30.48	38.05	36.50
2X30	36.83	44.40	42.85
2X32	39.37	46.94	45.39
2X34	41.91	49.48	47.93
2X40	49.53	57.10	55.55
2X50	62.23	69.80	68.25

**Ordering information:**

23X6740-XXDXXAX-XXX-01

- N Nylon-6T
- L LCP
- Number of Contact  
06, 10, 12, 14, 16, 20, 22,  
26, 28, 30, 34, 40, 44, 50,  
60, 64, 68, 80, 100
- Dimension  
10 = 1.00mm  
15 = 1.50mm  
XY = X.XYmm
- Color
- G Gold Plated
- T Tin Plated
- H Duplex Plated
- Contact Plating  
01 Normal  
10 10 μ"

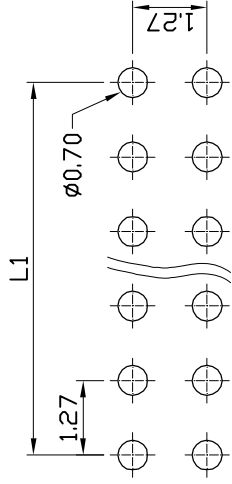
□ 0.40 Squite Pin



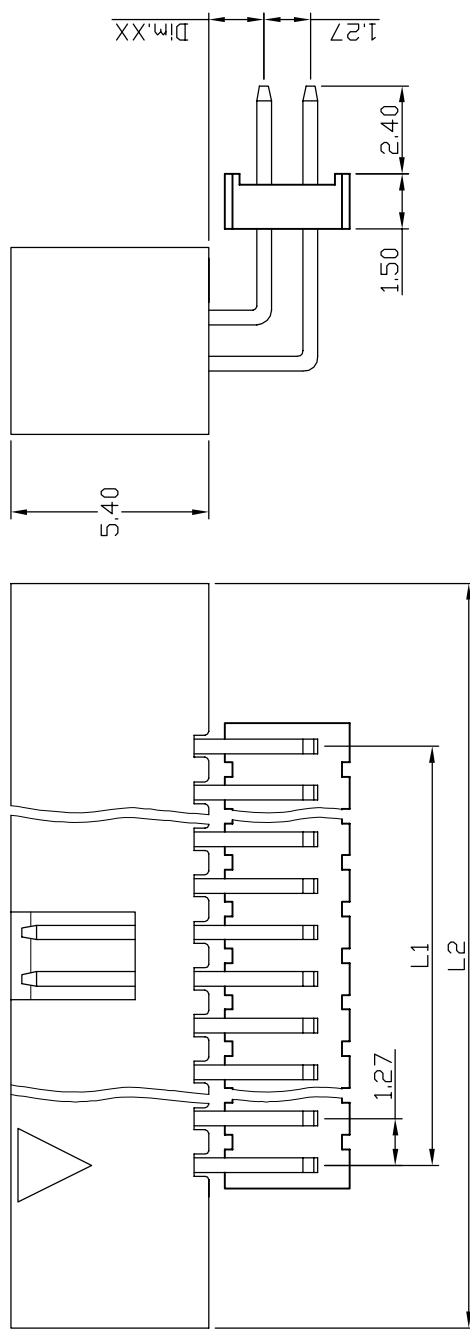
**SPECIFICATIONS**

- Current Rating:  
1 Amp
- Insulator resistance:  
1000 Megohms Min.
- Contact resistance:  
20 m ohms Max.
- Dielectric withstanding:  
AC 500V/minute  
Operating Temperature:  
-40° ~ +105°C
- Contact Material:  
BRASS
- Insulator Material:  
High Temperature Thermoplastic  
+Glass Fibre UL94V-0  
Color: Black
- Finish:  
Gold, Tin or Duplex plated  
Standard: Gold flash all over  
Duplex plated:  
Gold plated on contact area  
Tin on solder area

**RoHS Compliance**



RECOMMENDED P. C. B. LAYOUT



成品規格圖		APP.	ANGLES	±3°	SIZE	A4
TITLE	1.27mm Box Header Right Angle Type	CHK.	LINEAR	0.0 ±0.38	SCALE	3:1
PART NO	23X6740-XXDXXAX-XXX-01			0.00±0.25	SHEET	1/1
DRW NO		DR.	KEN			
UNIT	mm(INCH)	PROJECT	◎			
						96.01.04

