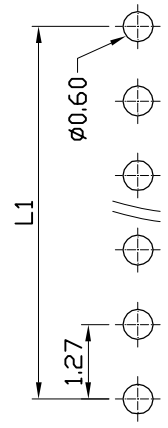


REV.	DESCRIPTION	DRW.	CHK.	APP.	DATE
A	RELEASE				

**SPECIFICATIONS**  
 Current Rating:  
 1 Amp  
 Insulator resistance:  
 1000 Megohms Min.  
 Contact resistance:  
 20 m ohms Max.  
 Dielectric withstanding:  
 AC 500V/minute  
 Operating Temperature:  
 -40° ~ +105°C  
 Contact Material:  
 Phosphor Bronze  
 Insulator Material:  
 High Temperature Thermoplastic  
 +Glass Fibre UL94V-0  
 Color: Black  
 Finish:  
 Gold, Tin or Duplex plated  
 Standard: Gold flash all over  
 Duplex plated:  
 Gold plated on contact area  
 Tin on solder area

**RoHS Compliance**



RECOMMENDED P. C. B. LAYOUT

**Ordering information:**

22P8741-XXS10X-XXX-X-A

Number of Contact  
0.3~50

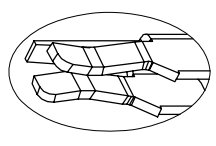
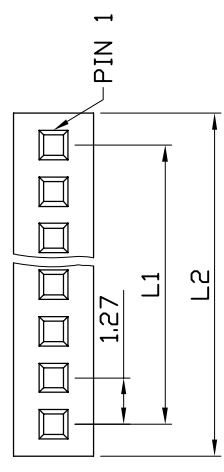
Color

N Nylon-6T

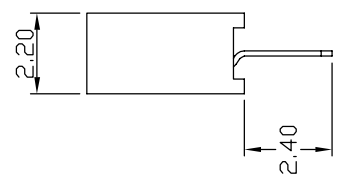
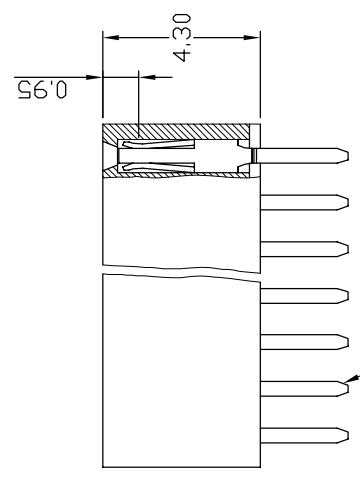
G Gold Plated  
 T Tin Plated  
 H Duplex plated

Contact Plating

01 Normal  
 10 10μ"  
 ∴ ∴ ∴



THREE SIDE CONTACT  
TERMINAL



PIN 0.4x0.15±

**Ref.**

Cir- cuits	Dimension mm	
	L1	L2
3	2.54	4.21
4	3.81	5.48
5	5.08	6.75
6	6.35	8.02
7	7.62	9.29
8	8.89	10.56
9	10.16	11.83
10	11.43	13.10
11	12.70	14.37
12	13.97	15.64
13	15.24	16.91
14	16.51	18.18
15	17.78	19.45
16	19.05	20.72
17	20.32	21.99
18	21.59	23.26
19	22.86	24.53
20	24.13	25.80
21	25.40	27.07
22	26.67	28.34
23	27.94	29.61
24	29.21	30.88
25	30.48	32.15
26	31.75	33.42
27	33.02	34.69
28	34.29	35.96
29	35.56	37.23
30	36.83	38.50
31	38.10	39.77
32	39.37	41.04
33	40.64	42.31
34	41.91	43.58
35	43.18	44.85
36	44.45	46.12
37	45.72	47.39
38	46.99	48.66
39	48.26	49.93
40	49.53	51.20
41	50.80	52.47
42	52.07	53.74
43	53.34	55.01
44	54.61	56.28
45	55.88	57.55
46	57.15	58.82
47	58.42	60.09
48	59.69	61.36
49	60.96	62.63
50	62.23	63.90

APP.		ANGLES	±3°	SIZE	A4
成品規格圖		LINEAR	0.0 ±0.38	SCALE	3:1
TITLE 1.27mm Female Header Straight Type		CHK.		1/1	
PART NO 22P8741-XXS10X-XXX-X-A		DR.		KEN	
UNIT mm(INCH)		PROJECT		96.01.04	

