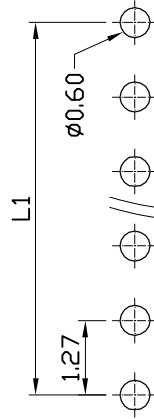


REV.	DESCRIPTION	DRW.	CHK.	APP.	DATE
A	RELEASE				

**SPECIFICATIONS**

- Current Rating: 1 Amp
- Insulator resistance: 1000 Megohms Min.
- Contact resistance: 20 m ohms Max.
- Dielectric withstanding: AC 500V/minute
- Operating Temperature: -40° ~ +105°C
- Contact Material: Phosphor Bronze
- Insulator Material: High Temperature Thermoplastic +Glass Fibre UL94V-0
- Color: Black
- Finish: Gold, Tin or Duplex plated
- Standard: Gold flash all over
- Duplex plated: Gold plated on contact area
- Tin on solder area

**RoHS Compliance**



RECOMMENDED P. C. B. LAYOUT

**Ordering information:**

22P8731-XXS10X-XXX-X-A

Number of Contact  
03~50

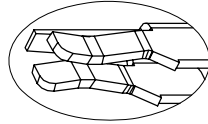
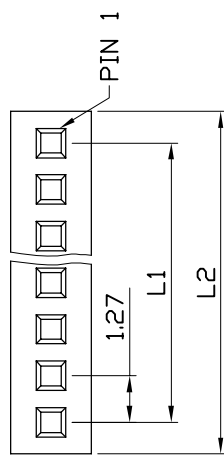
Color

N Nylon-6T

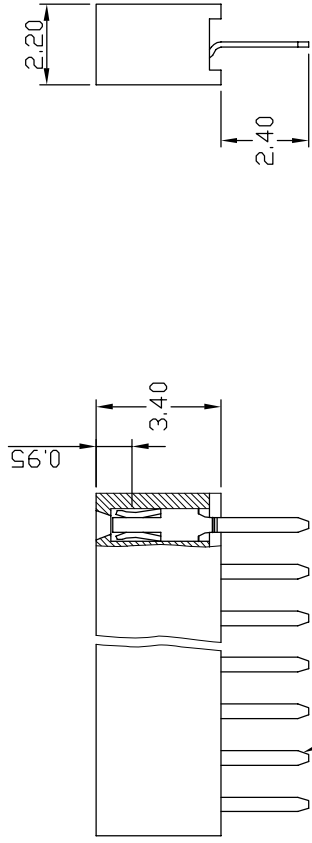
G Gold Plated  
T Tin Plated  
H Duplex plated

Contact Plating

01 Normal  
10 10µ"  
∴ ∴ ∴



THREE SIDE CONTACT TERMINAL



PIN 0.4x0.15t

Ref.

Cir- cuits	Dimension mm	
	L1	L2
3	2.54	4.21
4	3.81	5.48
5	5.08	6.75
6	6.35	8.02
7	7.62	9.29
8	8.89	10.56
9	10.16	11.83
10	11.43	13.10
11	12.70	14.37
12	13.97	15.64
13	15.24	16.91
14	16.51	18.18
15	17.78	19.45
16	19.05	20.72
17	20.32	21.99
18	21.59	23.26
19	22.86	24.53
20	24.13	25.80
21	25.40	27.07
22	26.67	28.34
23	27.94	29.61
24	29.21	30.88
25	30.48	32.15
26	31.75	33.42
27	33.02	34.69
28	34.29	35.96
29	35.56	37.23
30	36.83	38.50
31	38.10	39.77
32	39.37	41.04
33	40.64	42.31
34	41.91	43.58
35	43.18	44.85
36	44.45	46.12
37	45.72	47.39
38	46.99	48.66
39	48.26	49.93
40	49.53	51.20
41	50.80	52.47
42	52.07	53.74
43	53.34	55.01
44	54.61	56.28
45	55.88	57.55
46	57.15	58.82
47	58.42	60.09
48	59.69	61.36
49	60.96	62.63
50	62.23	63.90

成品規格圖		APP.	ANGLES	±3°	SIZE	A4
TITLE	1.27mm Female Header Straight Type	CHK.	LINEAR	0.0 ±0.38	SCALE	3:1
PART NO	22P8731-XXS10X-XXX-X-A			0.00±0.25	SHEET	1/1
DRW NO		DR.	KEN			
UNIT	mm(INCH)	PROJECT	◎			
	5					
				96.01.04		
	6					
	7					
	8					

