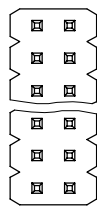


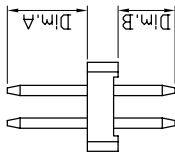
1 2 3 4 5 6 7 8

E X T E R I O R

REV.	DESCRIPTION	DRW.	CHK.	APP.	DATE
A	RELEASE				

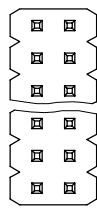


S10

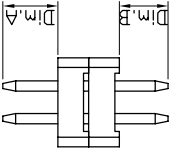


21X21764-XXS10X-XXX-A/B/C-XXX

Exterior Dimension

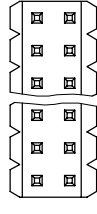


S20

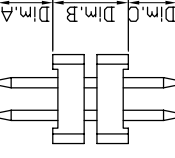


21X21764-XXS20X-XXX-A/B-XXX

Exterior Dimension

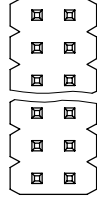


S21

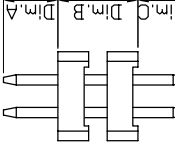


21X21764-XXS21X-XXX-A/B/C-XXX

Exterior Dimension

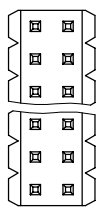


S22

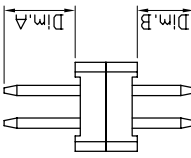


21X21764-XXS22X-XXX-A/B/C-XXX

Exterior Dimension

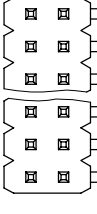


S23

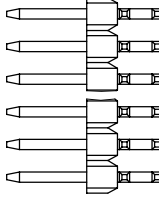


21X21764-XXS23X-XXX-A/B-XXX

Exterior Dimension

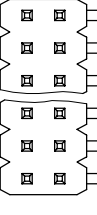


D00

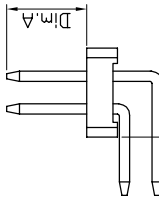


21X21764-XXD00X-XXX-A/B-XXX

Exterior Dimension

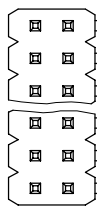


D10

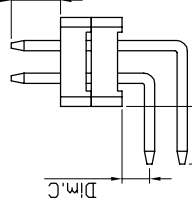


21X21764-XXD10X-XXX-A/B/C-XXX

Exterior Dimension



D20

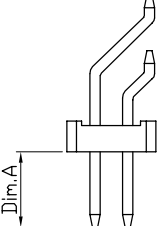


21X21764-XXD20X-XXX-A/B/C-XXX

Exterior Dimension

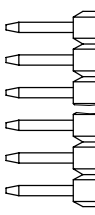


J10

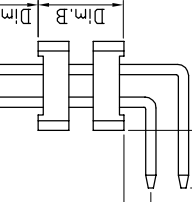


21X21764-XXJ10X-XXX-A-XXX

Exterior Dimension



D21



21X21764-XXD21X-XXX-A/B/C-XXX

Exterior Dimension

Ref.

成品規格圖		APP.	ANGLES	±3°	SIZE	A4
TITLE 2.54x2.54mm Pin Header 21764 Series		CHK.	LINEAR	0.0	±0.38	NONE
PART NO 21X21764-XXXXXX-XXX-XXX-XXX				0.00	±0.25	3/7
DRW NO		DR.	KEN			
UNIT	mm(INCH)	PROJECT	96.01.04			

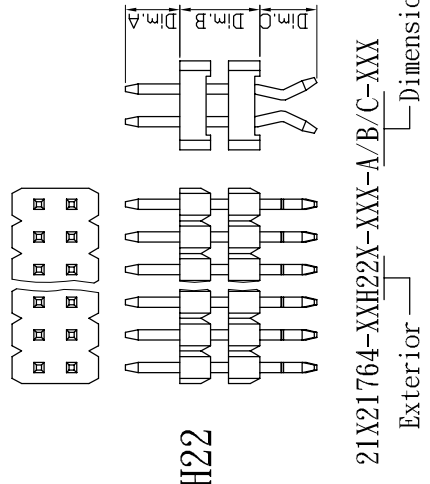
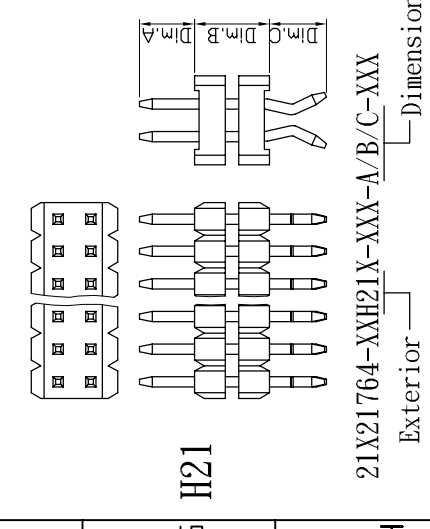
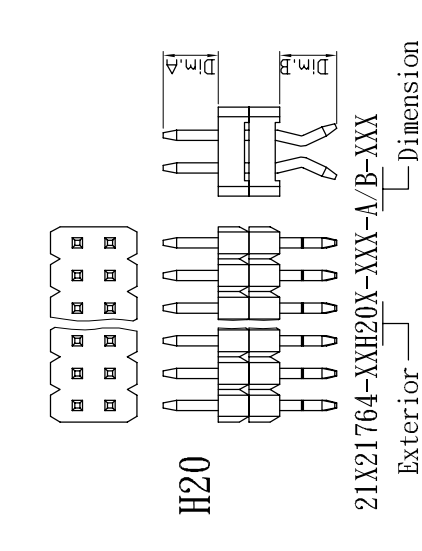
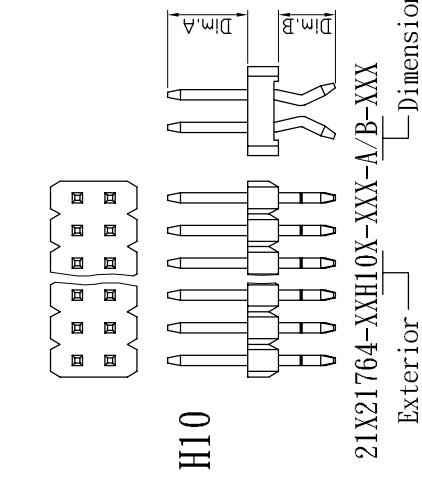
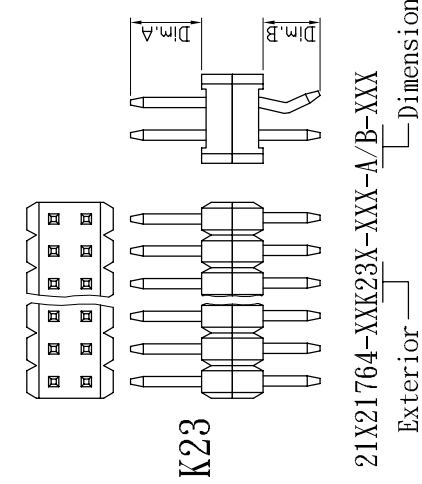
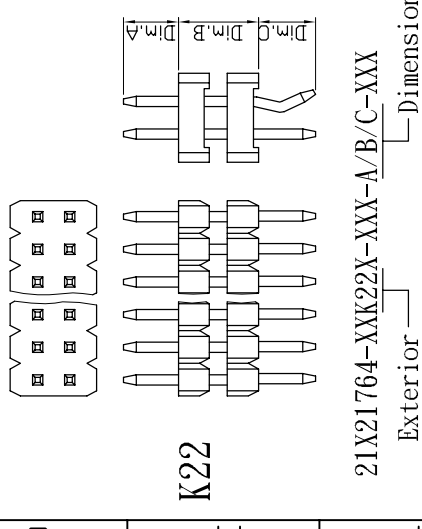
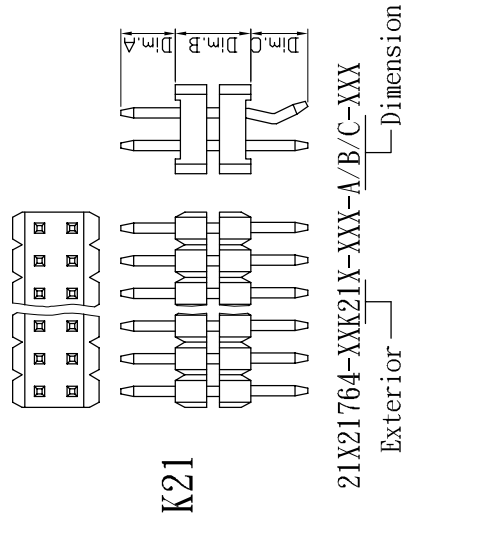
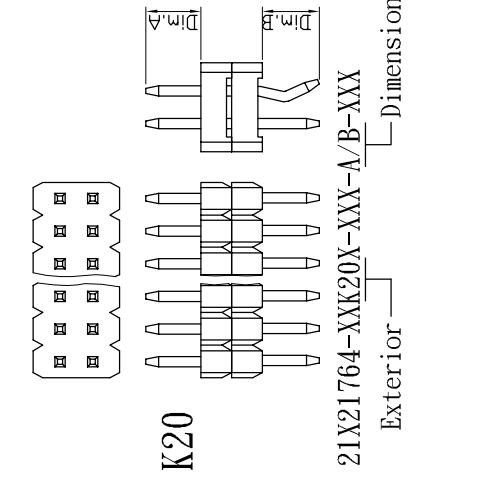
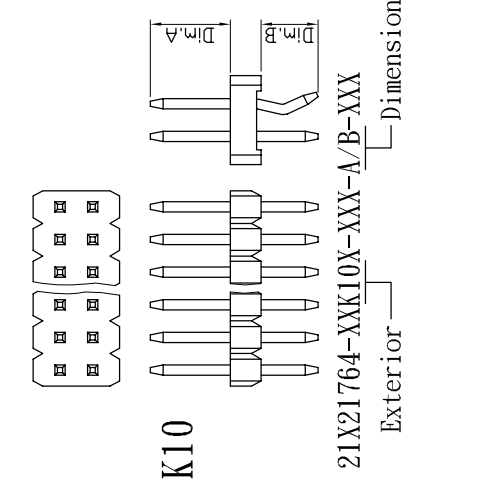
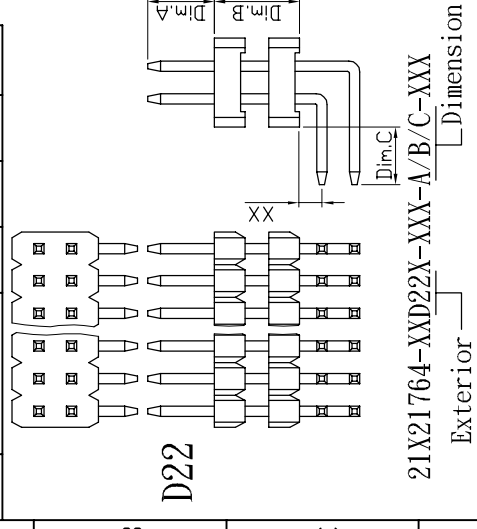


A B C D E F G H

1 2 3 4 5 6 7 8

E X T E R I O R

REV.	DESCRIPTION	DRW.	CHK.	APP.	DATE
A	RELEASE				



Ref.

成品規格圖		APP.	ANGLES	±3°	SIZE	A4
TITLE 2.54x2.54mm Pin Header 21764 Series		CHK.	LINEAR	0.0 ±0.38	SCALE	NONE
PART NO 21X21764-XXXXXX-XXX-XXX-XXX				0.00±0.25	SHEET	4/7
DRW NO		DR.				
UNIT mm(INCH)	PROJECT	DR.				
		KEN	96.01.04			

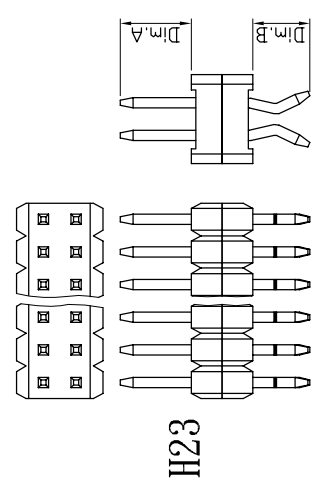
A B C D E F G H

1 2 3 4 5 6 7 8

1 2 3 4 5 6 7 8

EXTERIOR

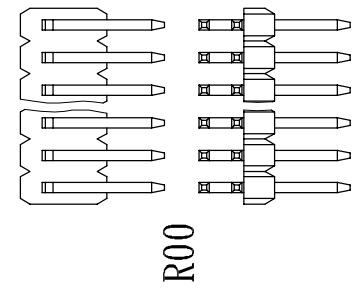
REV.	DESCRIPTION	DRW.	CHK.	APP.	DATE
A	RELEASE				



H23

21X21764-XXH23X-XXX-A/B-XXX

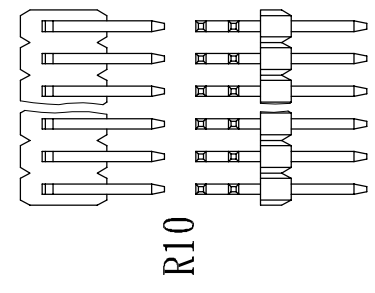
Exterior Dimension



R00

21X21764-XXR00X-XXX-A/B-XXX

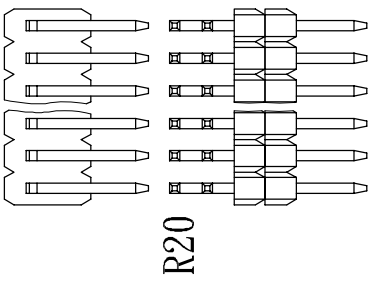
Exterior Dimension



R10

21X21764-XXR10X-XXX-A/B/C-XXX

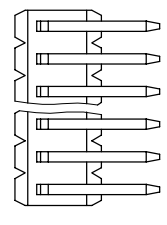
Exterior Dimension



R20

21X21764-XXR20X-XXX-A/B/C-XXX

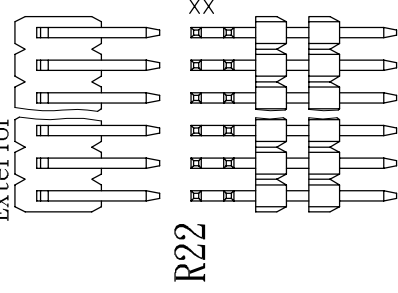
Exterior Dimension



M20

21X21764-XXM20X-XXX-A/B-XXX

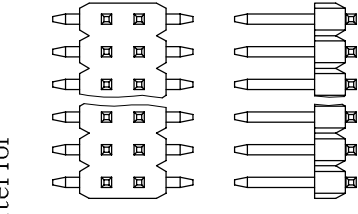
Exterior Dimension



R22

21X21764-XXR22X-XXX-A/B/C-XXX

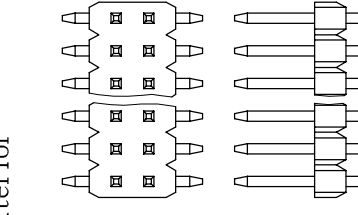
Exterior Dimension



M00

21X21764-XXM00X-XXX-A-XXX

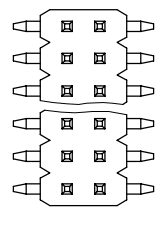
Exterior Dimension



M10

21X21764-XXM10X-XXX-A/B-XXX

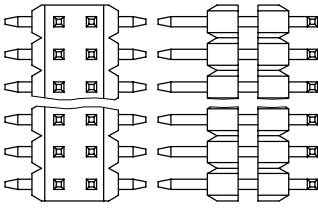
Exterior Dimension



M21

21X21764-XXM21X-XXX-A/B/C-XXX

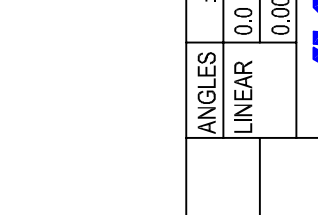
Exterior Dimension



M00

21X21764-XXM00X-XXX-A-XXX

Exterior Dimension



M10

21X21764-XXM10X-XXX-A/B-XXX

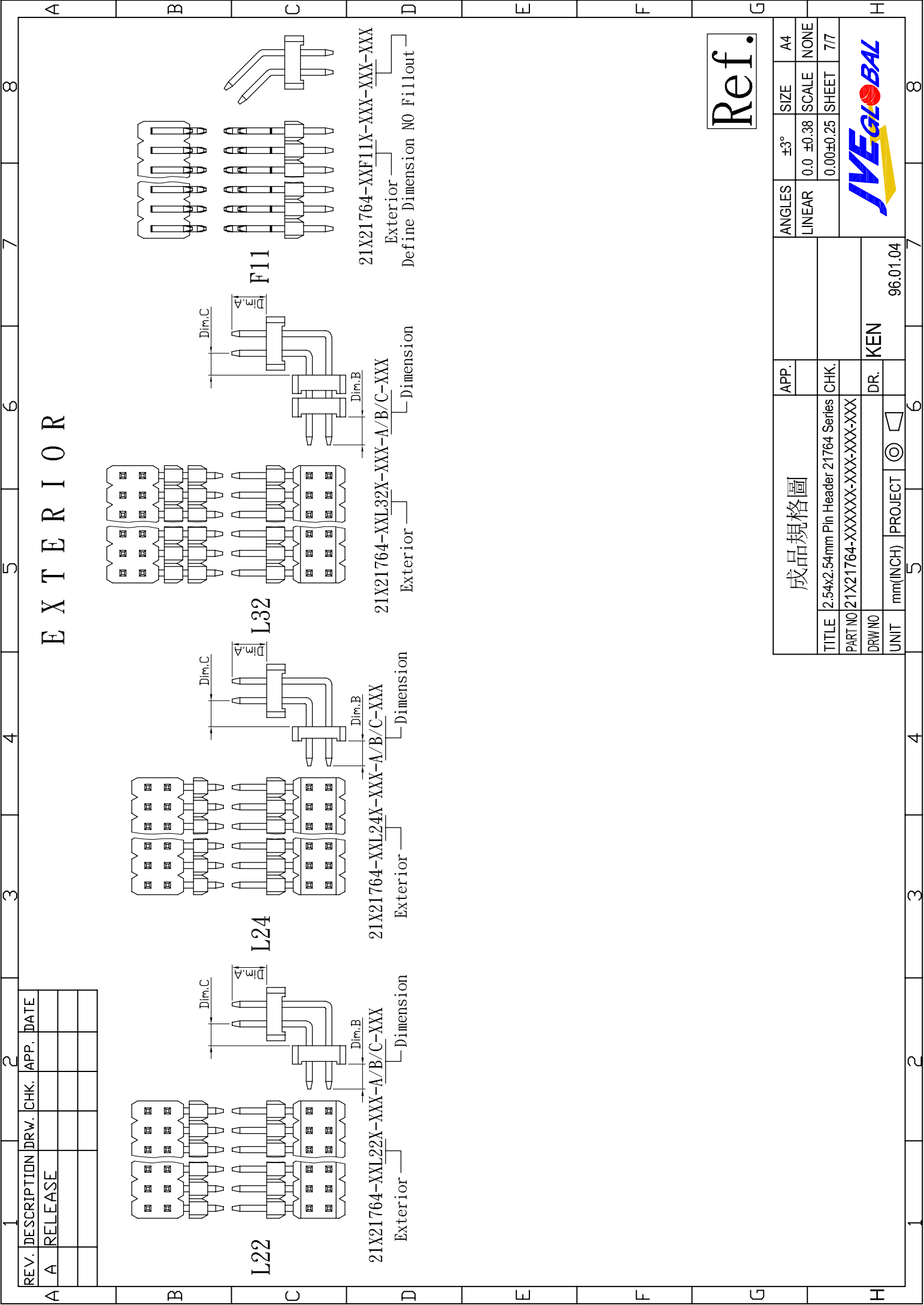
Exterior Dimension

Ref.

成品規格圖		APP.	ANGLES	±3°	SIZE	A4
TITLE 2.54x2.54mm Pin Header 21764 Series		CHK.	LINEAR	0.0 ±0.38	SCALE	NONE
PART NO 21X21764-XXXXXX-XXX-XXX-XXX				0.00±0.25	SHEET	5/7
DRW NO		DR.	KEN		96.01.04	
UNIT mm(INCH)		PROJECT	◎		5 6 7 8	



A B C D E F G H



REV.	DESCRIPTION	DRW.	CHK.	APP.	DATE
A	RELEASE				

EXTERIOR

Ref.

成品規格圖		APP.	ANGLES	±3°	SIZE	A4
TITLE	2.54x2.54mm Pin Header 21764 Series	CHK.	LINEAR	0.0 ±0.38	SCALE	NONE
PART NO	21X21764-XXXXXXXX-XXX-XXX-XXX			0.00±0.25	SHEET	7/7
DRW NO		DR.				
UNIT	mm(INCH)	PROJECT				
		KEN	96.01.04			

