

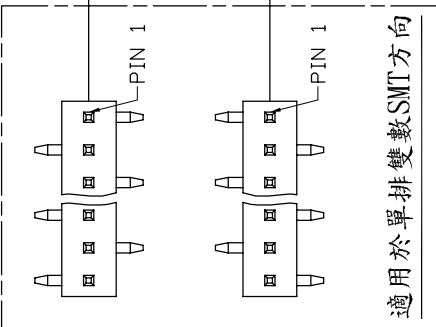
A B C D E F G H

1 2 3 4 5 6 7 8

REV.	DESCRIPTION	DRW.	CHK.	APP.	DATE
A	RELEASE				

ADJUNCTIVE CODE

21X21564-XXXXXX-XXX-XXX-**A****B****C****E****F****M****S****X****Y****Z****K****VRWN****HXX****PX**



適用於單排雙數SMT方向

加 CAP

加 圓片端子

加 WAFER

加 Mini Jumper

彎角 or SMT+DIP

CUTTER

塑膠彩色印刷

高低針

跳PIN

成品兩側打Kink

磷銅端子

紅銅端子

Ref.

成品規格圖		APP.	ANGLES	±3°	SIZE	A4
TITLE	2.54x2.54mm Pin Header 21564 Series	CHK.	LINEAR	0.0 ±0.38	SCALE	NONE
PART NO	21X21564-XXXXXX-XXX-XXX-XXX			0.00±0.25	SHEET	2/7
DRW NO		DR.	KEN			
UNIT	mm(INCH)	PROJECT	◎ □ ▽		96.01.04	



A B C D E F G H

1 2 3 4 5 6 7 8

1 2 3 4 5 6 7 8

E X T E R I O R

REV.	DESCRIPTION	DRW.	CHK.	APP.	DATE
A	RELEASE				

S10

21X21564-XXS10X-XXX-A/B/C-XXX

Exterior

S20

21X21564-XXS20X-XXX-A/B-XXX

Exterior

S21

21X21564-XXS21X-XXX-A/B/C-XXX

Exterior

S22

21X21564-XXS22X-XXX-A/B/C-XXX

Exterior

S23

21X21564-XXS23X-XXX-A/B-XXX

Exterior

J10

21X21564-XXJ10X-XXX-A-XXX

Exterior

D00

21X21564-XXD00X-XXX-A/B-XXX

Exterior

D10

21X21564-XXD10X-XXX-A/B/C-XXX

Exterior

D20

21X21564-XXD20X-XXX-A/B/C-XXX

Exterior

D21

21X21564-XXD21X-XXX-A/B/C-XXX

Exterior

Ref.

成品規格圖		APP.	ANGLES	±3°	SIZE	A4
TITLE		2.54x2.54mm Pin Header 21564 Series	LINEAR	0.0	±0.38	NONE
PART NO		21X21564-XXXXXX-XXX-XXX-XXX	CHK.		0.00±0.25	3/7
DRW NO			DR.		KEN	
UNIT		mm(INCH)	PROJECT	96.01.04		

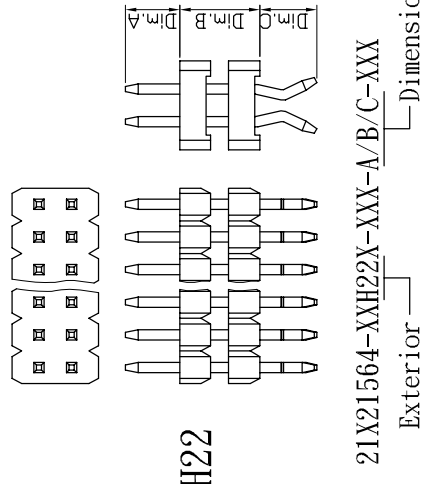
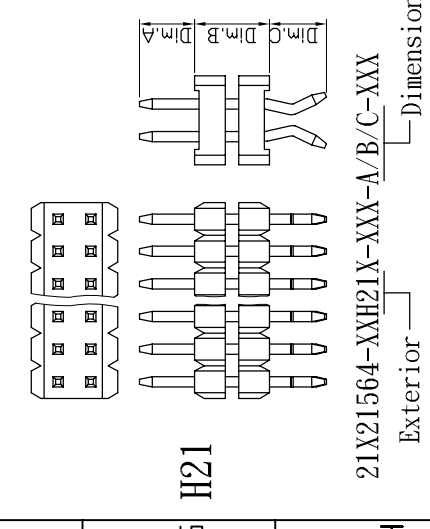
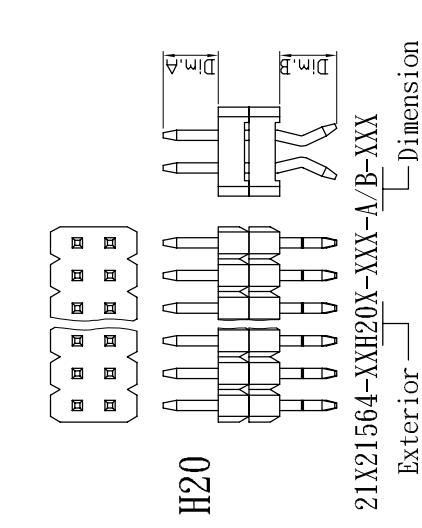
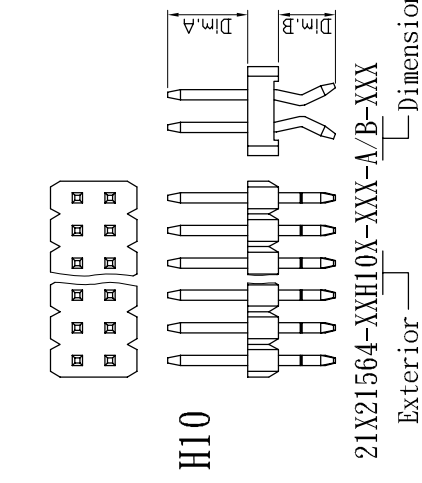
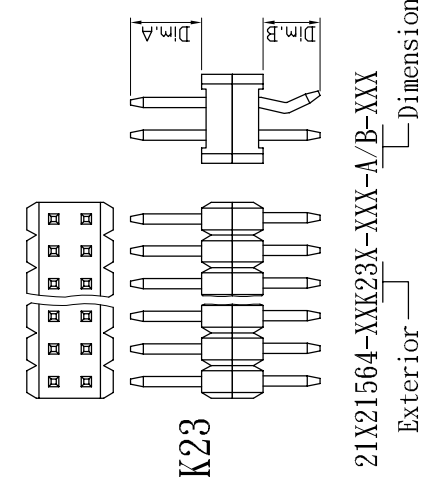
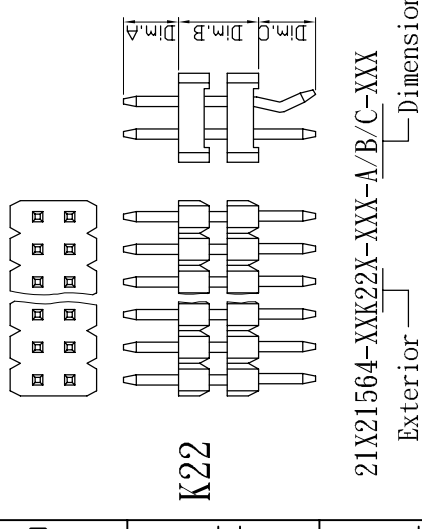
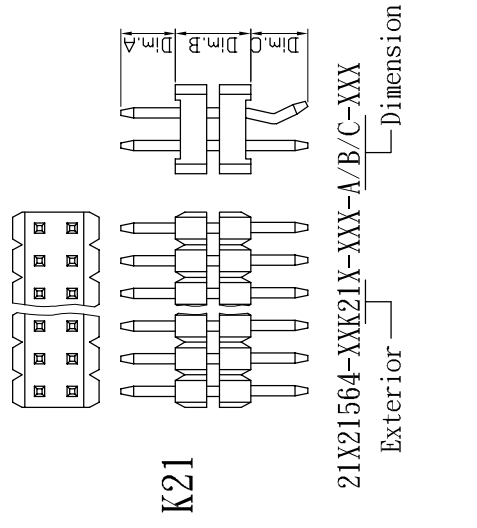
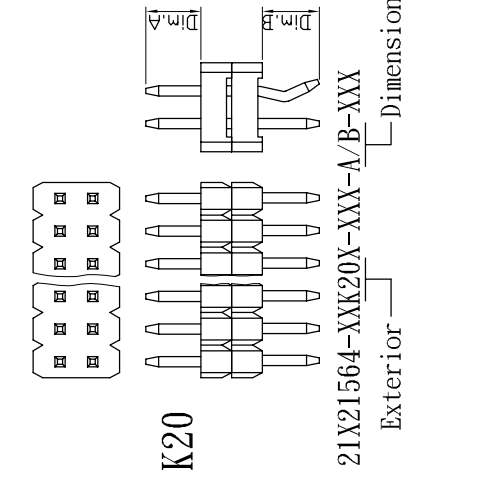
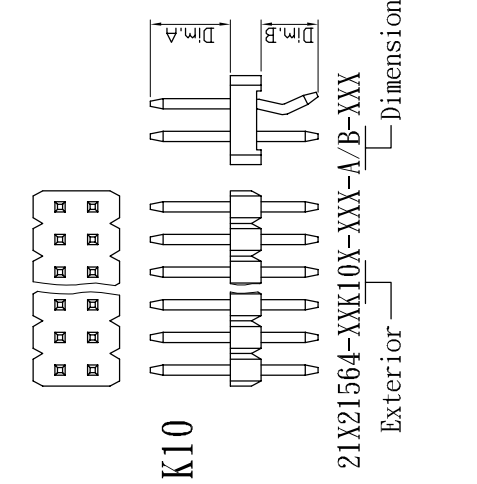
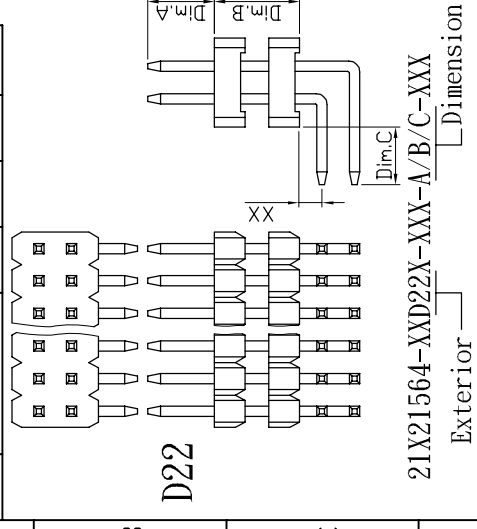


A B C D E F G H

1 2 3 4 5 6 7 8

E X T E R I O R

REV.	DESCRIPTION	DRW.	CHK.	APP.	DATE
A	RELEASE				

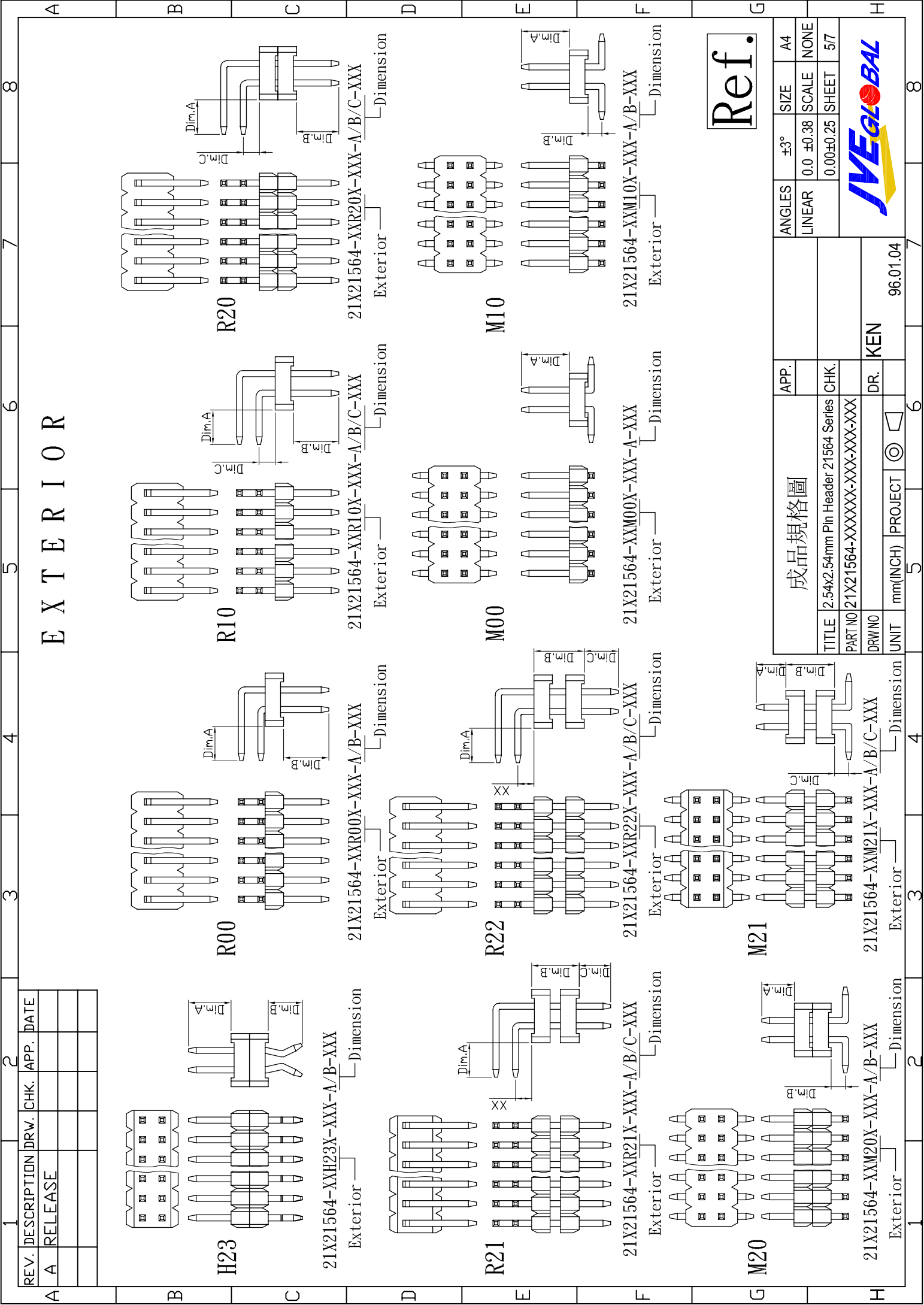


Ref.

成品規格圖		APP.	ANGLES	±3°	SIZE	A4
TITLE		2.54x2.54mm Pin Header 21764 Series	LINEAR	0.0	±0.38	NONE
PART NO		21X21764-XXXXXX-XXX-XXX-XXX	0.00±0.25 SHEET 4/7			
DRW NO			DR. KEN			
UNIT		mm(INCH)	PROJECT		96.01.04	



1 2 3 4 5 6 7 8



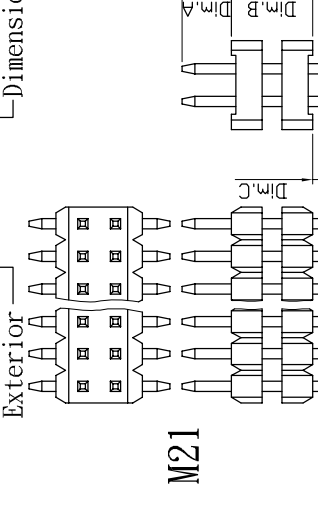
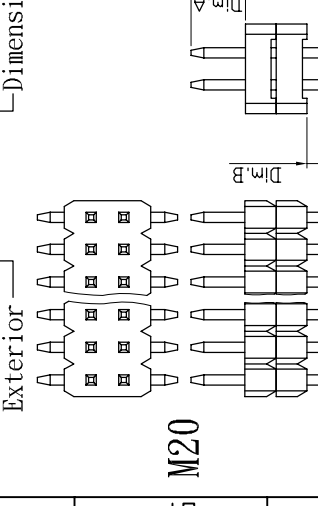
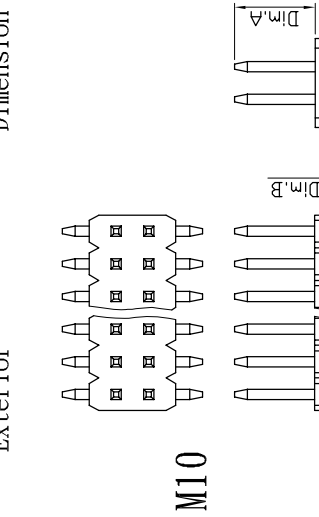
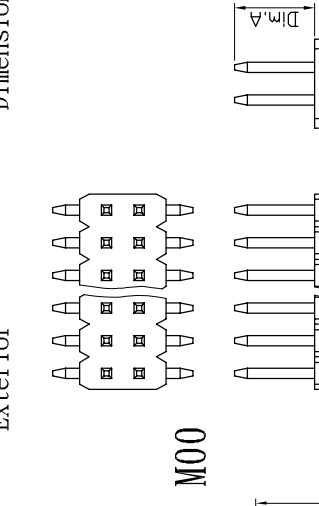
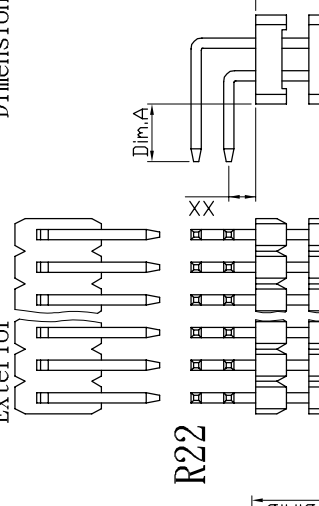
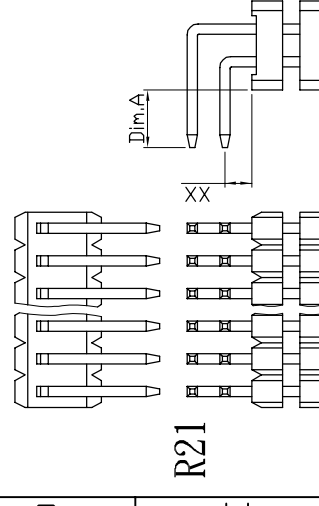
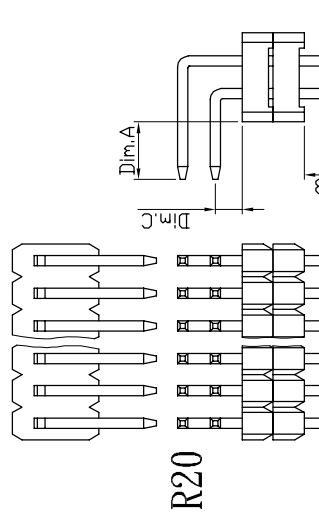
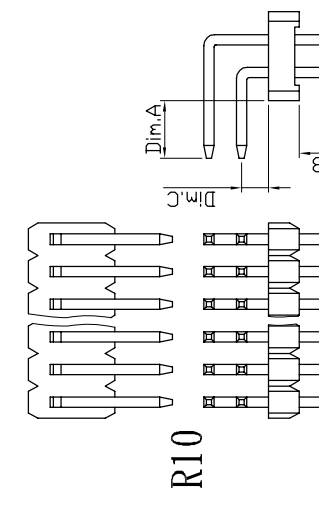
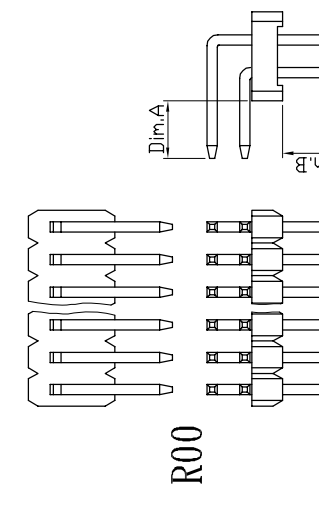
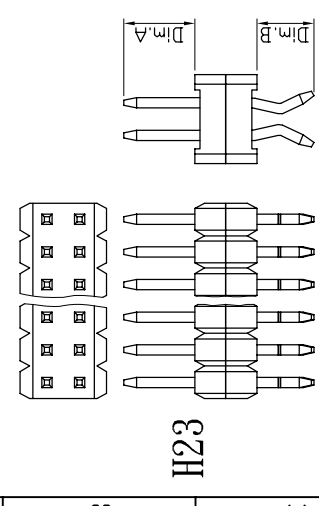
E X T E R I O R

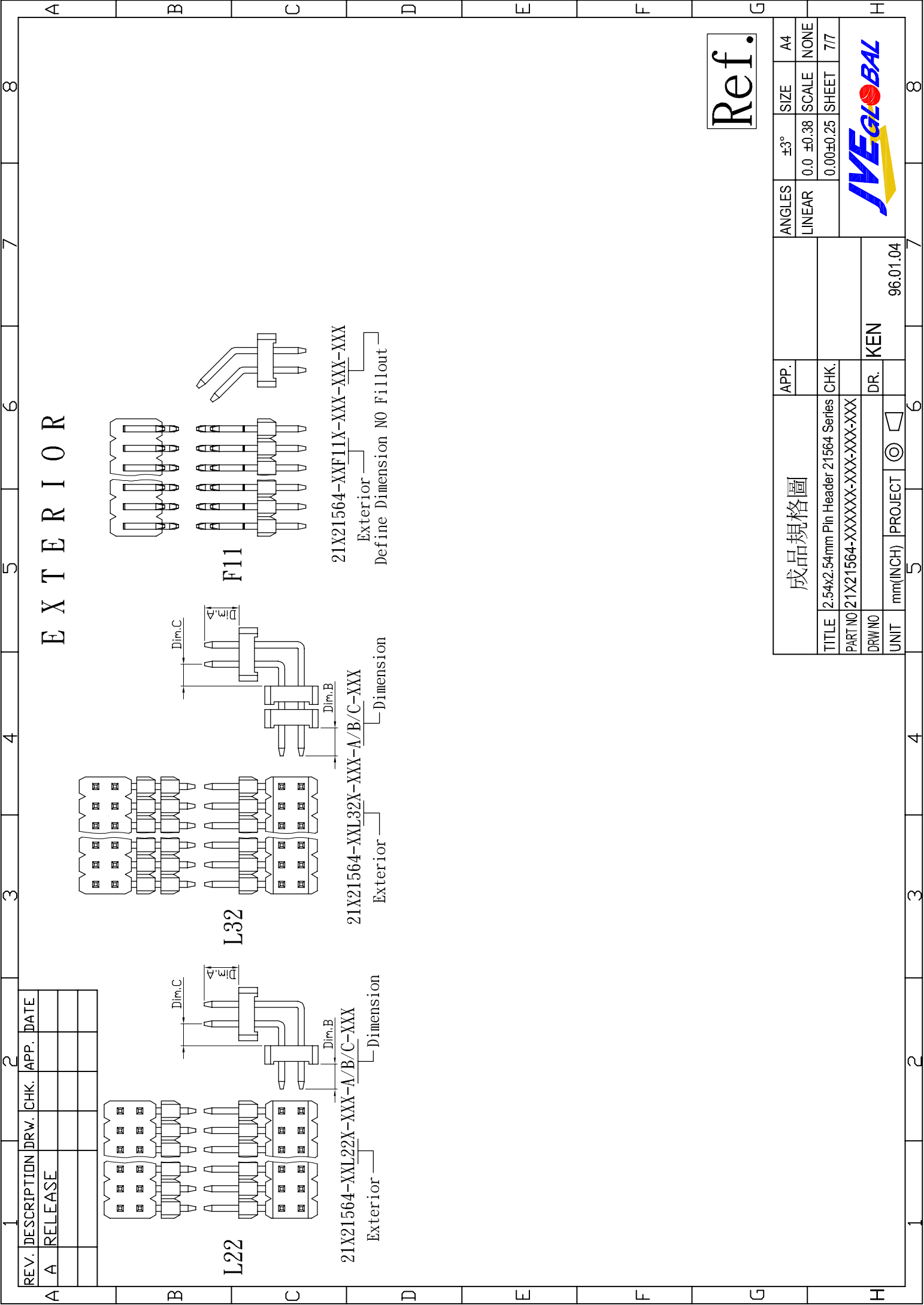
REV.	DESCRIPTION	DRW.	CHK.	APP.	DATE
A	RELEASE				

成品規格圖		APP.	ANGLES	±3°	SIZE	A4	
TITLE		2.54x2.54mm Pin Header 21564 Series	LINEAR	0.0	±0.38	NONE	
PART NO		21X21564-XXXXXX-A/B/C-XXX	0.00±0.25				5/7
DRW NO			DR.		KEN	96.01.04	
UNIT		mm(INCH)	PROJECT		◎	7	



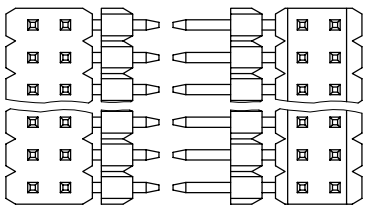
Ref.





E X T E R I O R

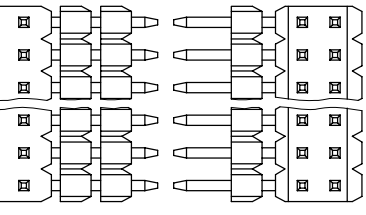
REV.	DESCRIPTION	DRW.	CHK.	APP.	DATE
A	RELEASE				



L22

21X21564-XXL22X-XXX-A/B/C-XXX

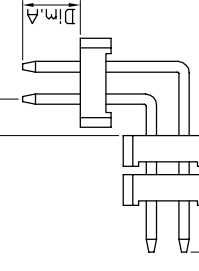
Exterior Define Dimension



L32

21X21564-XXL32X-XXX-A/B/C-XXX

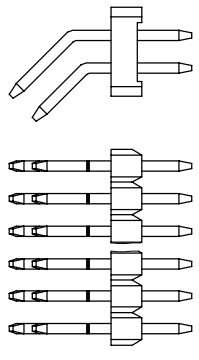
Exterior Define Dimension



F11

21X21564-XXF11X-XXX-XXX-XXX

Exterior Define Dimension NO Fillout



Ref.

成品規格圖		APP.	ANGLES	±3°	SIZE	A4
TITLE	2.54x2.54mm Pin Header 21564 Series	CHK.	LINEAR	0.0 ±0.38	SCALE	NONE
PART NO	21X21564-XXXXXXXX-XXX-XXX-XXX			0.00±0.25	SHEET	7/7
DRW NO		DR.	KEN			
UNIT	mm(INCH)	PROJECT	96.01.04			

