

REV.	DESCRIPTION	DRW.	CHK.	APP.	DATE
A	RELEASE				

**SPECIFICATIONS**

Current Rating:  
3 Amp

Insulator resistance:  
5000 Megohms Min.

Contact resistance:  
20 m ohms Max.

Dielectric withstanding:  
AC 1000V/minute

Operating Temperature:  
-40° ~ +105°C

Contact Material:  
BRASS

Insulator Material:  
High Temperature Thermoplastic  
+Glass Fibre UL94V-0

Color: Black

Finish:  
Gold, Tin or Duplex plated

Standard: Gold flash all over  
Duplex plated:  
Gold plated on contact area  
Tin on solder area

**RoHS Compliance**

**ORDERING INFORMATION**

21X13364-XXXXXX-XXX-XXX-XXX

Material  
B PBT  
N Nylon-6T  
L LCP

Row of plastic  
Single Row

Plastic Height  
3.30mm

Splice & Pitch  
0.64sq x PH2.54mm

Number of Contact  
02-40

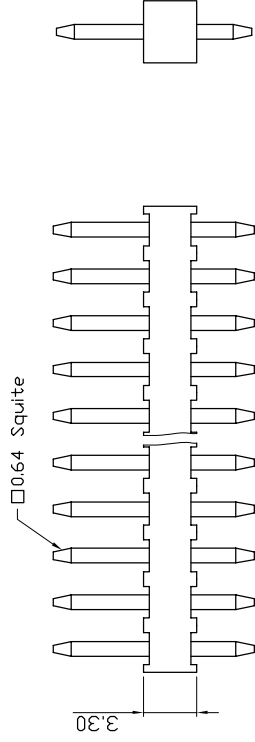
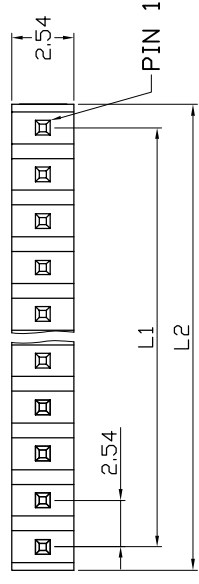
Exterior  
Referenced Sheet 3/6, 4/6, 5/6, 6/6

Adjunctive Code  
Referenced Sheet 2/6

Dimension  
A  
6/3  
6/3/1.5  
A/B/C

Plating Type  
G Gold Plated  
T Tin Plated  
H Duplex Plated

Contact Plating  
01 Normal  
03 3µ"  
05 5µ"  
10 10µ"  
: : : : :  
Color  
B Black  
R Red  
U Blue  
: : : : :



示意圖

Ref.

Circuits	Dimension mm
1	L1
2	L2
3	2.50
4	5.00
5	7.50
6	10.00
7	12.50
8	15.24
9	17.50
10	20.00
11	22.50
12	25.00
13	27.50
14	30.00
15	32.50
16	35.00
17	37.50
18	40.00
19	42.50
20	45.00
21	47.50
22	50.00
23	52.50
24	55.00
25	57.50
26	60.00
27	62.50
28	65.00
29	67.50
30	70.00
31	72.50
32	75.00
33	77.50
34	80.00
35	82.50
36	85.00
37	87.50
38	90.00
39	92.50
40	95.00
	97.50
	100.00

APP.	ANGLES	±3°	SIZE
	LINEAR	0.0 ±0.38	A4
		0.00±0.25	NONE
			1/6

TITLE	CHK.
成品規格圖	
2.54mm Pin Header 13364 Series	
21X13364-XXXXXX-XXX-XXX-XXX	
DRW NO	
UNIT	

PROJECT	DR.	DATE
mm(INCH)	KEN	96.01.04



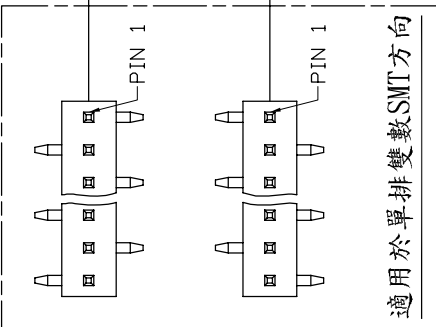
A B C D E F G H

1 2 3 4 5 6 7 8

REV.	DESCRIPTION	DRW.	CHK.	APP.	DATE
A	RELEASE				

# ADJUNCTIVE CODE

21X13364-XXXXXX-XXX-XXX-**A B C E F M S X Y Z K VRWN HXX PX**



塑膠彩色印刷

高低針

跳PIN

成品兩側打Kink

磷銅端子

紅銅端子

加 CAP

加 圓片端子

加 WAFER

加 Mini Jumper

彎角 or SMT+DIP

CUTTER

成品規格圖

TITLE	2.54mm Pin Header 13364 Series	CHK.	
PART NO	21X13364-XXXXXX-XXX-XXX-XXX	DR.	KEN
UNIT	mm(INCH)	PROJECT	96.01.04

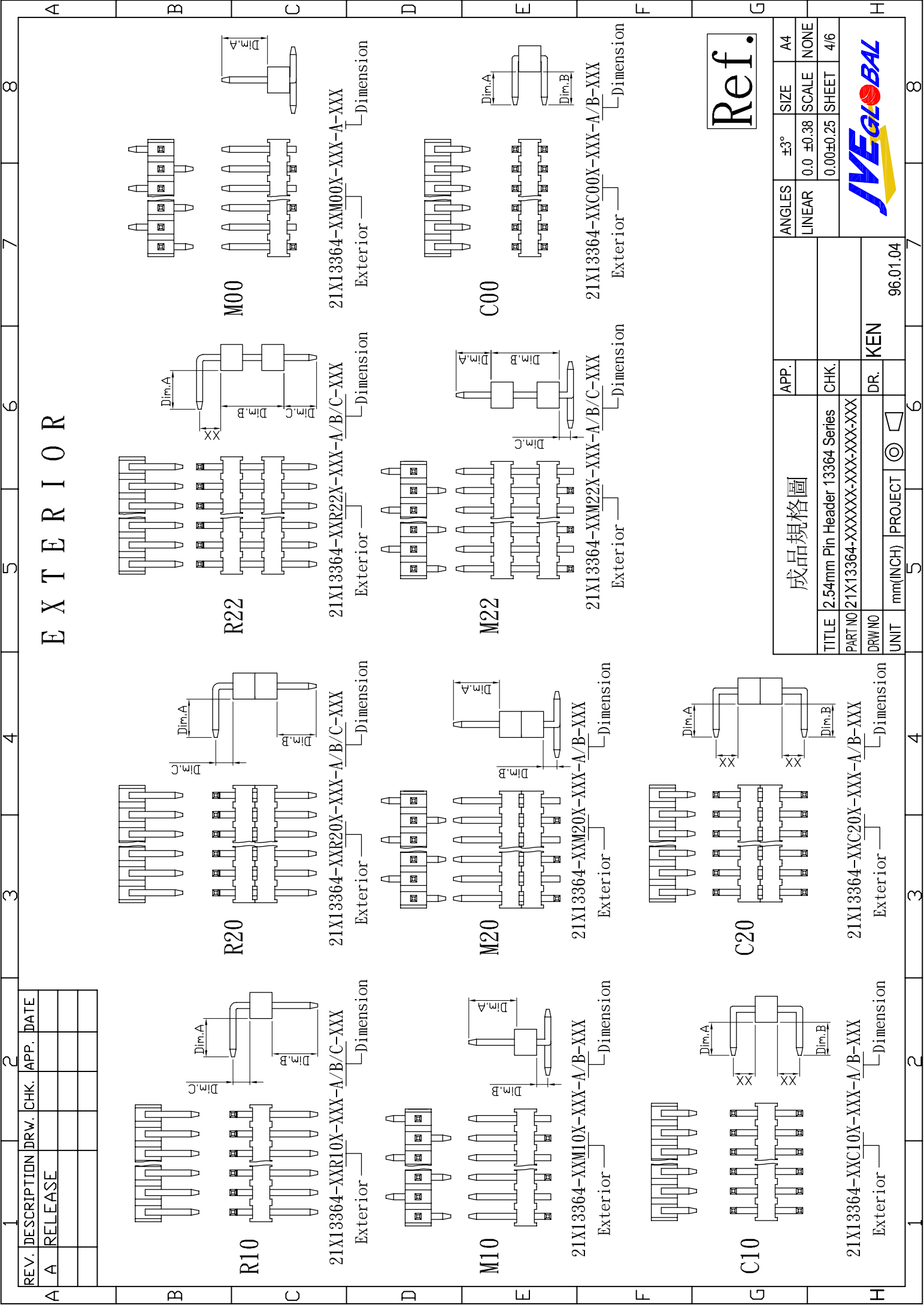
ANGLES	±3°	SIZE	A4
LINEAR	0.0 ±0.38	SCALE	NONE
	0.00±0.25	SHEET	2/6



A B C D E F G H

1 2 3 4 5 6 7 8





REV.	DESCRIPTION	DRW.	CHK.	APP.	DATE
A	RELEASE				

**Ref.**

成品規格圖		APP.	ANGLES	±3°	SIZE	A4
TITLE	2.54mm Pin Header 13364 Series	CHK.	LINEAR	0.0	±0.38	NONE
PART NO	21X13364-XXXXXX-XXX-XXX-XXX			0.00	±0.25	SHEET 4/6
DRW NO		DR.	KEN			
UNIT	mm(INCH)	PROJECT	96.01.04			



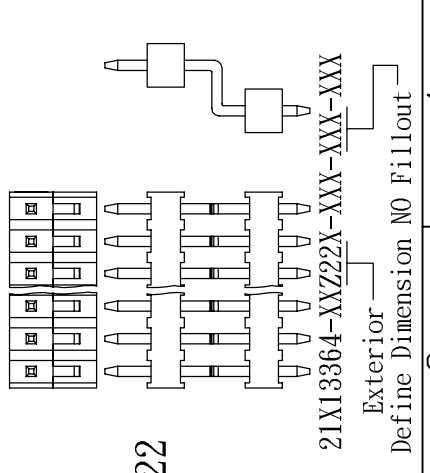
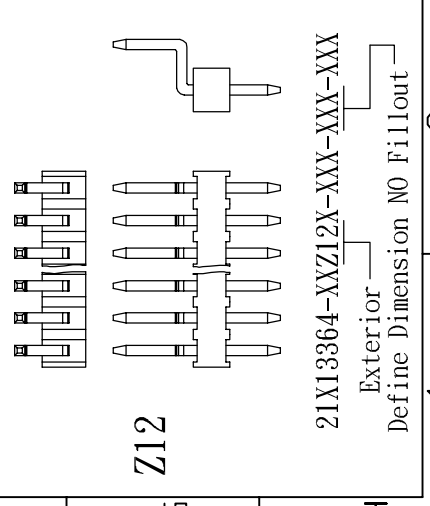
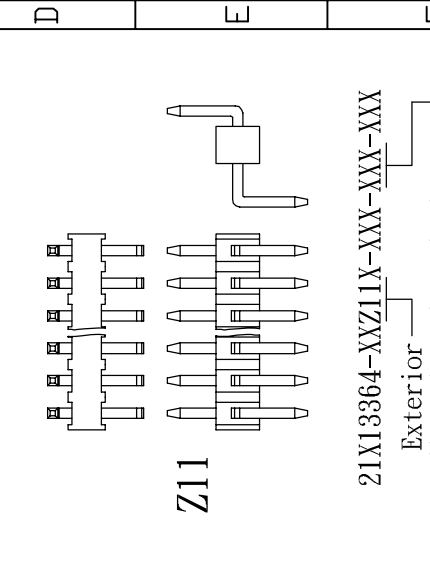
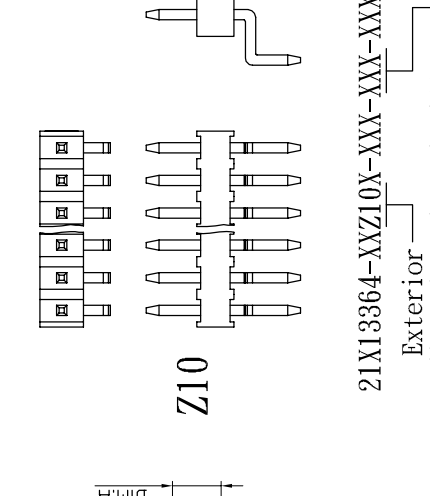
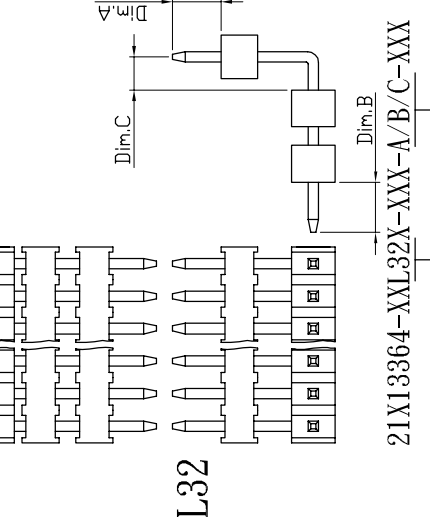
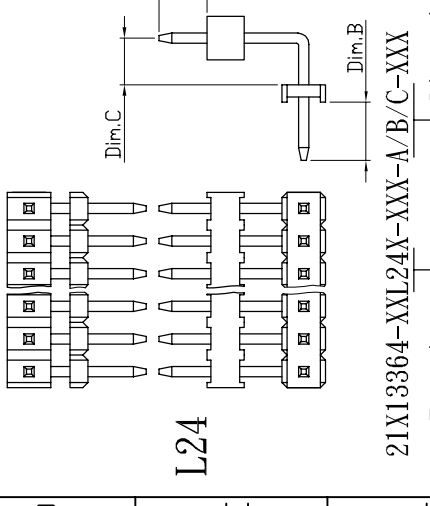
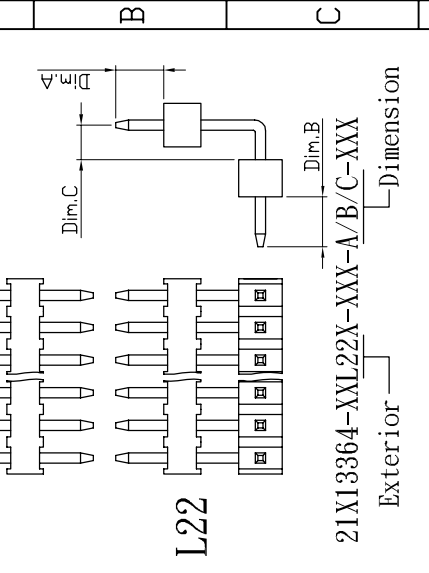
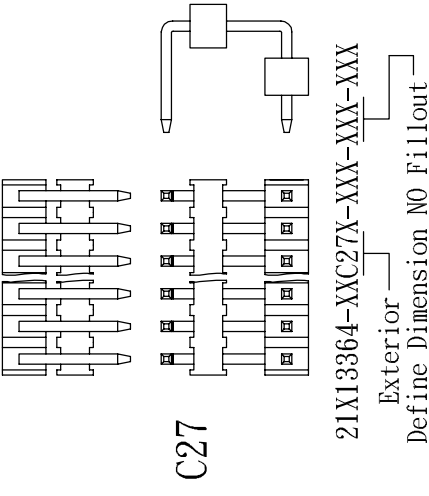
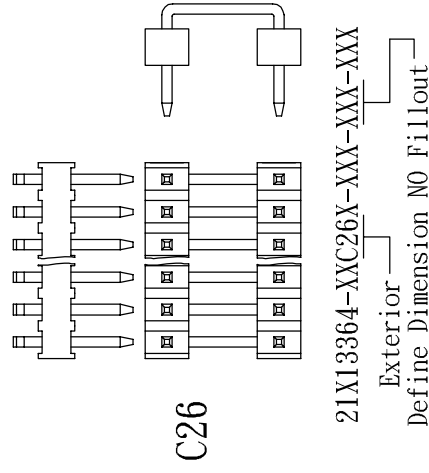
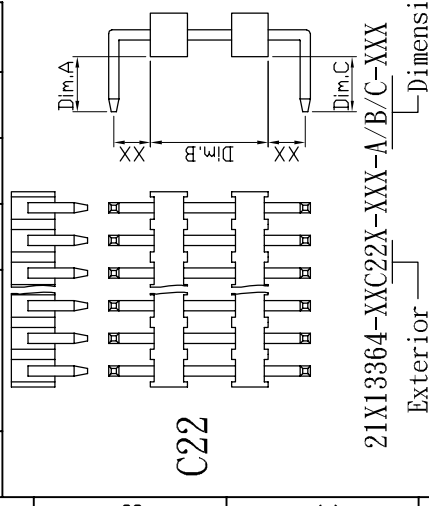
1 2 3 4 5 6 7 8

A B C D E F G H

1 2 3 4 5 6 7 8

# EXTERIOR

REV.	DESCRIPTION	DRW.	CHK.	APP.	DATE
A	RELEASE				



Ref.

成品規格圖		APP.	ANGLES	±3°	SIZE	A4
TITLE	2.54mm Pin Header 13364 Series	CHK.	LINEAR	0.0 ±0.38	SCALE	NONE
PART NO	21X13364-XXXXXX-XXX-XXX-XXX			0.00±0.25	SHEET	5/6
DRW NO		DR.	KEN			
UNIT	mm(INCH)	PROJECT	96.01.04			



1 2 3 4 5 6 7 8

