

REV.	DESCRIPTION	DRW.	CHK.	APP.	DATE
A	RELEASE				

**SPECIFICATIONS**

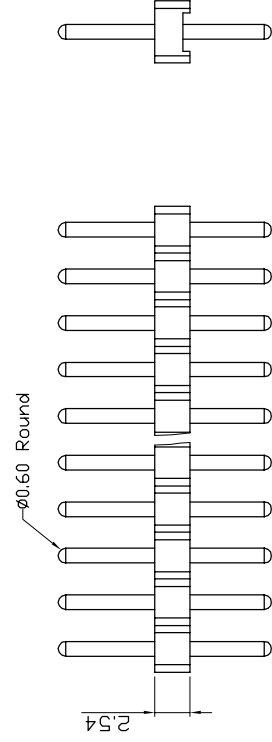
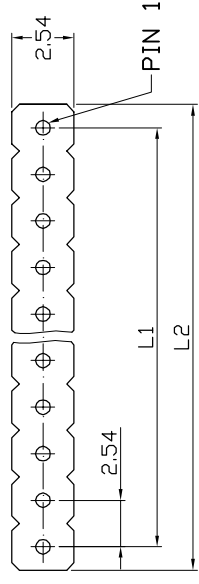
Current Rating: 3 Amp  
 Insulator resistance: 5000 Megohms Min.  
 Contact resistance: 20 m ohms Max.  
 Dielectric withstanding: AC 1000V/minute  
 Operating Temperature: -40° ~ +105°C  
 Contact Material: BRASS  
 Insulator Material: High Temperature Thermoplastic +Glass Fibre UL94V-0  
 Color: Black  
 Finish: Gold, Tin or Duplex plated  
 Standard: Gold flash all over  
 Duplex plated:  
 Gold plated on contact area  
 Tin on solder area

**RoHS Compliance**

**ORDERING INFORMATION**

21X12560-XXXXXX-XXX-XXX-XXX

Material: B PBT, N Nylon-6T, L LCP  
 Row of plastic Single Row  
 Plastic Height: 2.54mm  
 Spacing & Pitch: Ø0.60 x PH2.54mm  
 Number of Contact: 01-40  
 Exterior: Referenced Sheet 3/6, 4/6, 5/6, 6/6  
 Adjunctive Code Referenced Sheet 2/6  
 Dimension A: 6/3, 6/3/1.5, A/B, A/B/C  
 Plating Type: G Gold Plated, T Tin Plated, H Duplex Plated  
 Contact Plating: 01 Normal, 03 3µ", 05 5µ", 10 10µ"  
 Color: B Black, R Red, U Blue, ...



示意圖

Ref.

Cir-cuits	Dimension mm	
	L1	L2
1	2.54	5.08
2	5.08	7.62
3	7.62	10.16
4	10.16	12.70
5	12.70	15.24
6	15.24	17.78
7	17.78	20.32
8	20.32	22.86
9	22.86	25.40
10	25.40	27.94
11	27.94	30.48
12	30.48	33.02
13	33.02	35.56
14	35.56	38.10
15	38.10	40.64
16	40.64	43.18
17	43.18	45.72
18	45.72	48.26
19	48.26	50.80
20	50.80	53.34
21	53.34	55.88
22	55.88	58.42
23	58.42	60.96
24	60.96	63.50
25	63.50	66.04
26	66.04	68.58
27	68.58	71.12
28	71.12	73.66
29	73.66	76.20
30	76.20	78.74
31	78.74	81.28
32	81.28	83.82
33	83.82	86.36
34	86.36	88.90
35	88.90	91.44
36	91.44	93.98
37	93.98	96.52
38	96.52	99.06
39	99.06	101.60
40		

APP.		ANGLES	±3°	SIZE	A4
成品規格圖		LINEAR	0.0	±0.38	NONE
TITLE: 2.54mm Pin Header 12560 Series		CHK.	0.00	±0.25	SHEET 1/6
PART NO: 21X12560-XXXXXX-XXX-XXX-XXX		DR.	KEN		
UNIT: mm(INCH)		PROJECT	96.01.04		



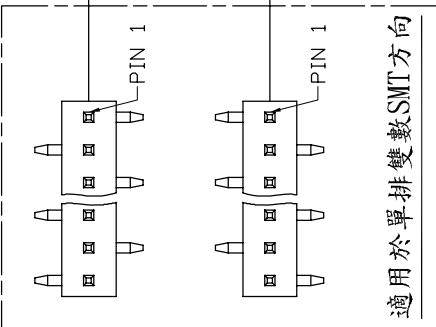
A B C D E F G H

1 2 3 4 5 6 7 8

REV.	DESCRIPTION	DRW.	CHK.	APP.	DATE
A	RELEASE				

# ADJUNCTIVE CODE

21X12560-XXXXXX-XXX-XXX- A B C E F M S X Y Z K VRWN HXX PX



塑膠彩色印刷

高低針

跳PIN

成品兩側打Kink

磷銅端子

紅銅端子

加 CAP

加 圓片端子

加 WAFER

加 Mini Jumper

彎角 or SMT+DIP

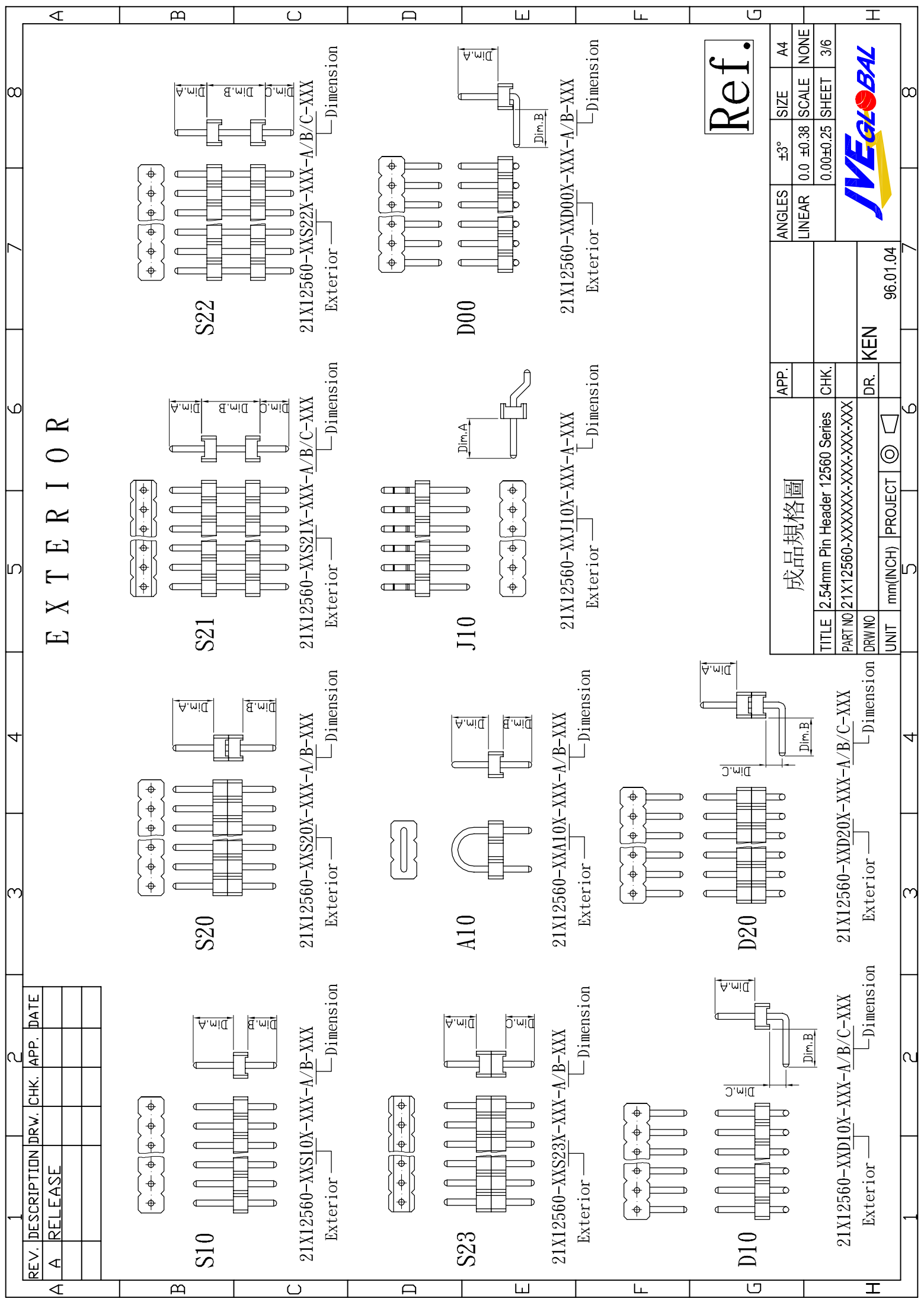
CUTTER

成品規格圖		APP.	ANGLES	±3°	SIZE	A4
TITLE 2.54mm Pin Header 12560 Series		CHK.	LINEAR	0.0 ±0.38	SCALE	NONE
PART NO 21X12560-XXXXXX-XXX-XXX-XXX		DR.		0.00±0.25	SHEET	2/6
UNIT mm(INCH)		PROJECT	96.01.04			
DRW NO		KEN				



A B C D E F G H

1 2 3 4 5 6 7 8

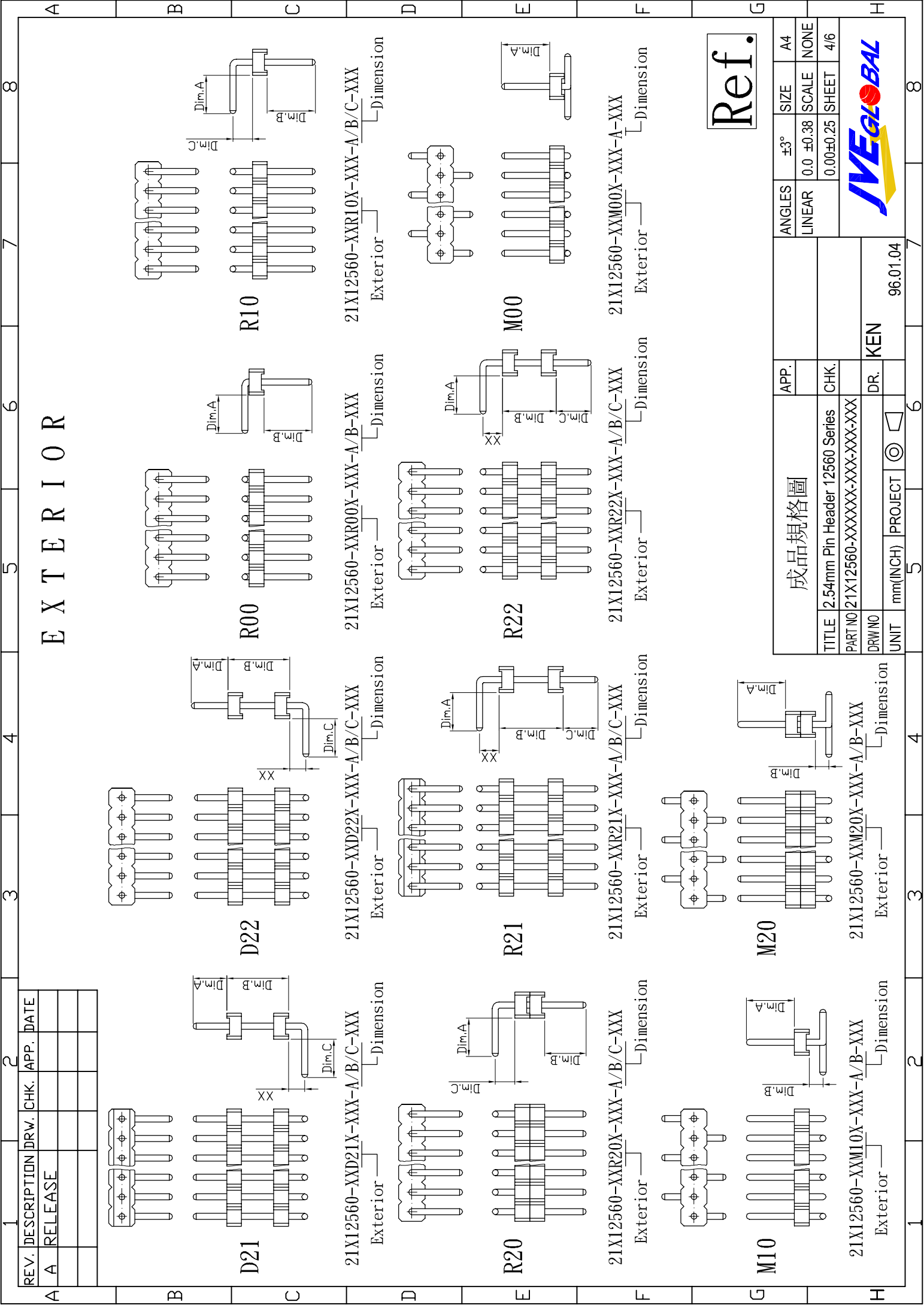


# E X T E R I O R

REV.	DESCRIPTION	DRW.	CHK.	APP.	DATE
A	RELEASE				

Ref.

成品規格圖		APP.	ANGLES	±3°	SIZE	A4
TITLE	2.54mm Pin Header 12560 Series	CHK.	LINEAR	0.0	±0.38	NONE
PART NO	21X12560-XXXXXX-A/B/C-XXX			0.00	±0.25	3/6
DRW NO		DR.				
UNIT	mm(INCH)	PROJECT				



# E X T E R I O R

REV.	DESCRIPTION	DRW.	CHK.	APP.	DATE
A	RELEASE				

Ref.

成品規格圖		APP.	ANGLES	±3°	SIZE	A4
TITLE 2.54mm Pin Header 12560 Series		CHK.	LINEAR		0.0 ±0.38	SCALE NONE
PART NO 21X12560-XXXXXX-A/B/C-XXX						
DRW NO		DR. KEN				
UNIT mm(INCH)		PROJECT		96.01.04		4/6

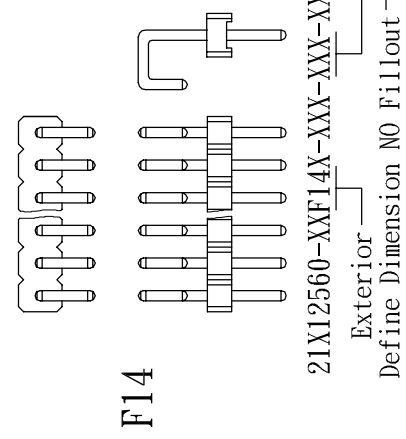
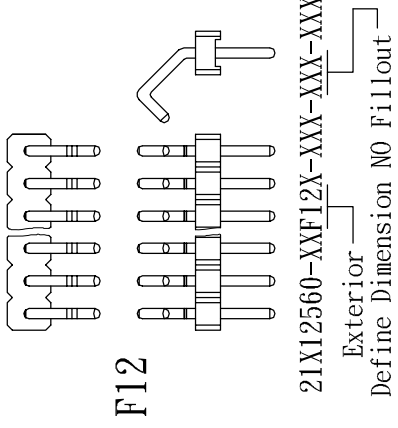
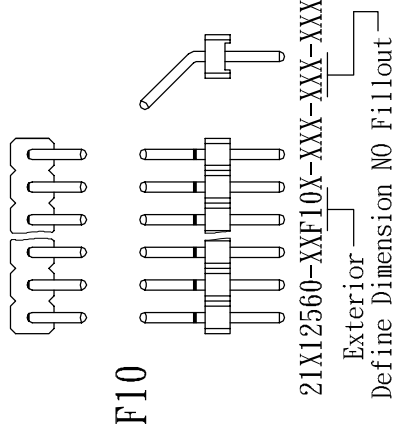
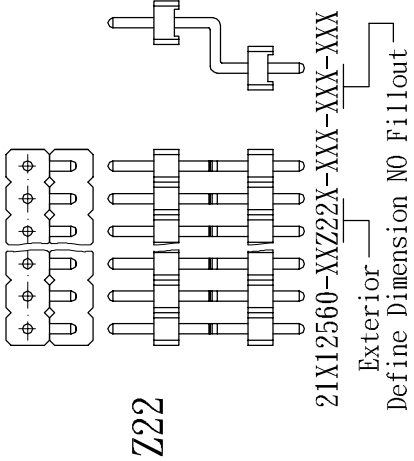
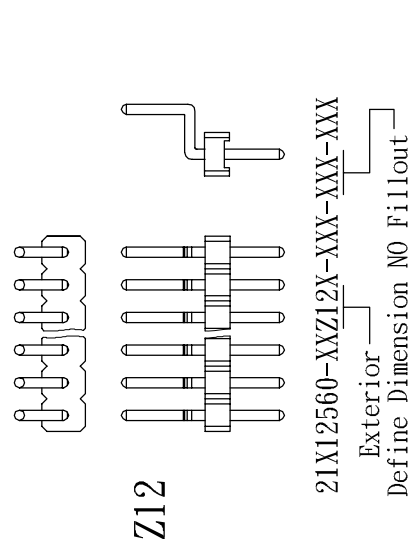
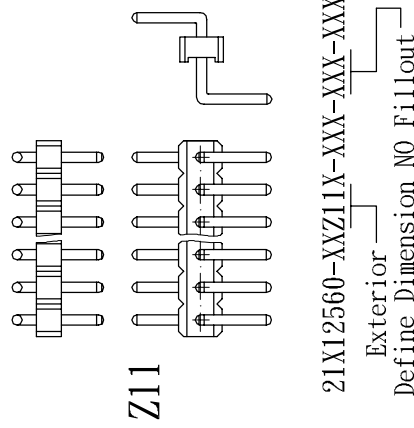
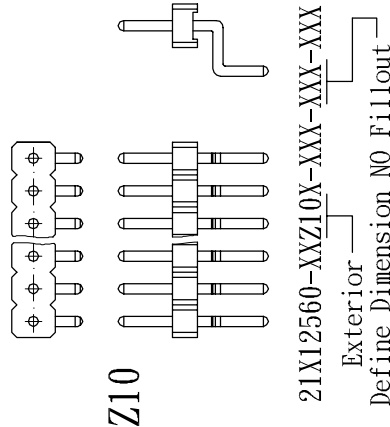
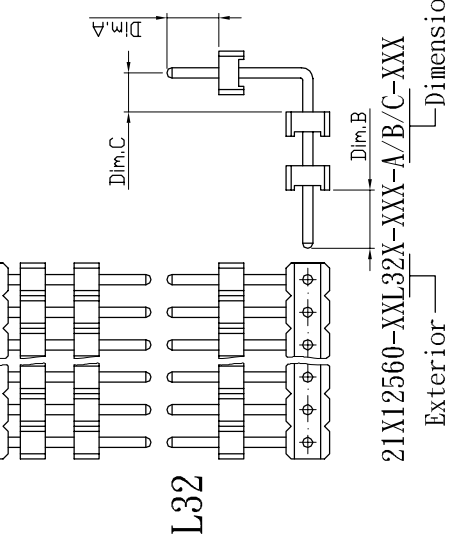
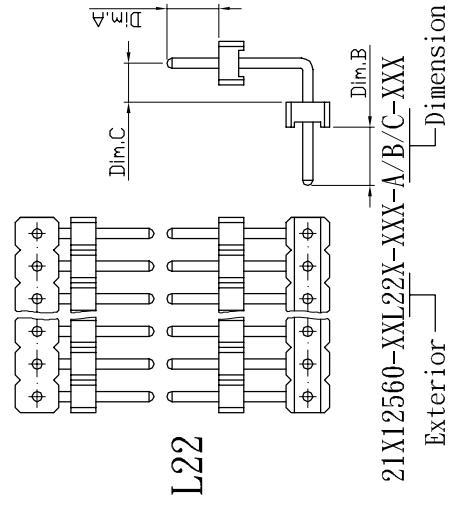




1 2 3 4 5 6 7 8

**E X T E R I O R**

REV.	DESCRIPTION	DRW.	CHK.	APP.	DATE
A	RELEASE				



**Ref.**

成品規格圖		APP.	ANGLES	±3°	SIZE	A4
TITLE 2.54mm Pin Header 12560 Series		CHK.	LINEAR	0.0 ±0.38	SCALE	NONE
PART NO 21X12560-XXXXXX-XXX-XXX-XXX		DR.	0.00±0.25		SHEET	6/6
UNIT	mm(INCH)	PROJECT	◎		KEN	96.01.04



A B C D E F G H

1 2 3 4 5 6 7 8