

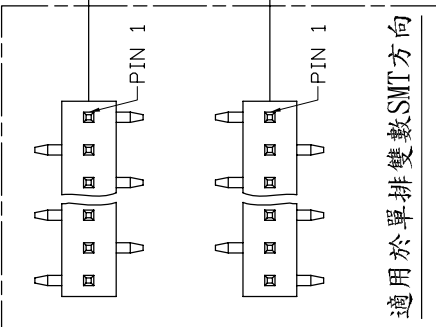
A B C D E F G H

1 2 3 4 5 6 7 8

REV.	DESCRIPTION	DRW.	CHK.	APP.	DATE
A	RELEASE				

ADJUNCTIVE CODE

21X12551-XXXXXX-XXX-XXX-**A B C E F M S X Y Z K VRWN HXX PX**



塑膠彩色印刷

高低針

跳PIN

成品兩側打Kink

磷銅端子

紅銅端子

CUTTER

加 CAP

加 圓片 端子

加 WAFER

加 Mini Jumper

彎角 or SMT+DIP

成品規格圖

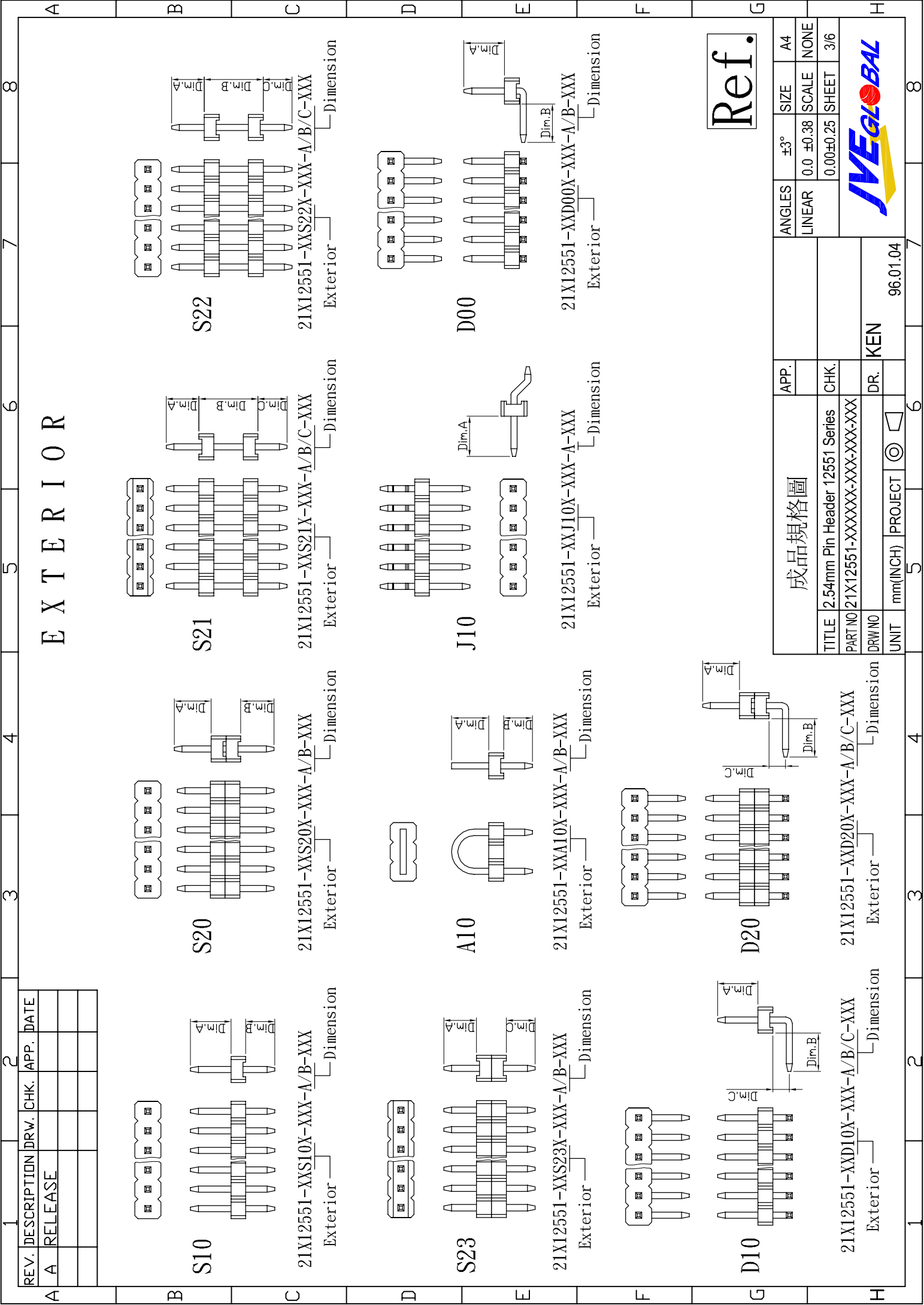
TITLE	2.54mm Pin Header 12551 Series	CHK.	
PART NO	21X12551-XXXXXX-XXX-XXX-XXX	DR.	KEN
UNIT	mm(INCH)	PROJECT	96.01.04

ANGLES	±3°	SIZE	A4
LINEAR	0.0 ±0.38	SCALE	NONE
	0.00±0.25	SHEET	2/6



A B C D E F G H

1 2 3 4 5 6 7 8



EXTERIOR

REV.	DESCRIPTION	DRW.	CHK.	APP.	DATE
A	RELEASE				

S10

21X12551-XXS10X-XXX-A/B-XXX
Exterior

Dimension

S20

21X12551-XXS20X-XXX-A/B-XXX
Exterior

Dimension

S21

21X12551-XXS21X-XXX-A/B/C-XXX
Exterior

Dimension

S22

21X12551-XXS22X-XXX-A/B/C-XXX
Exterior

Dimension

S23

21X12551-XXS23X-XXX-A/B-XXX
Exterior

Dimension

A10

21X12551-XXA10X-XXX-A/B-XXX
Exterior

Dimension

J10

21X12551-XXJ10X-XXX-A-XXX
Exterior

Dimension

D00

21X12551-XXD00X-XXX-A/B-XXX
Exterior

Dimension

D10

21X12551-XXD10X-XXX-A/B/C-XXX
Exterior

Dimension

D20

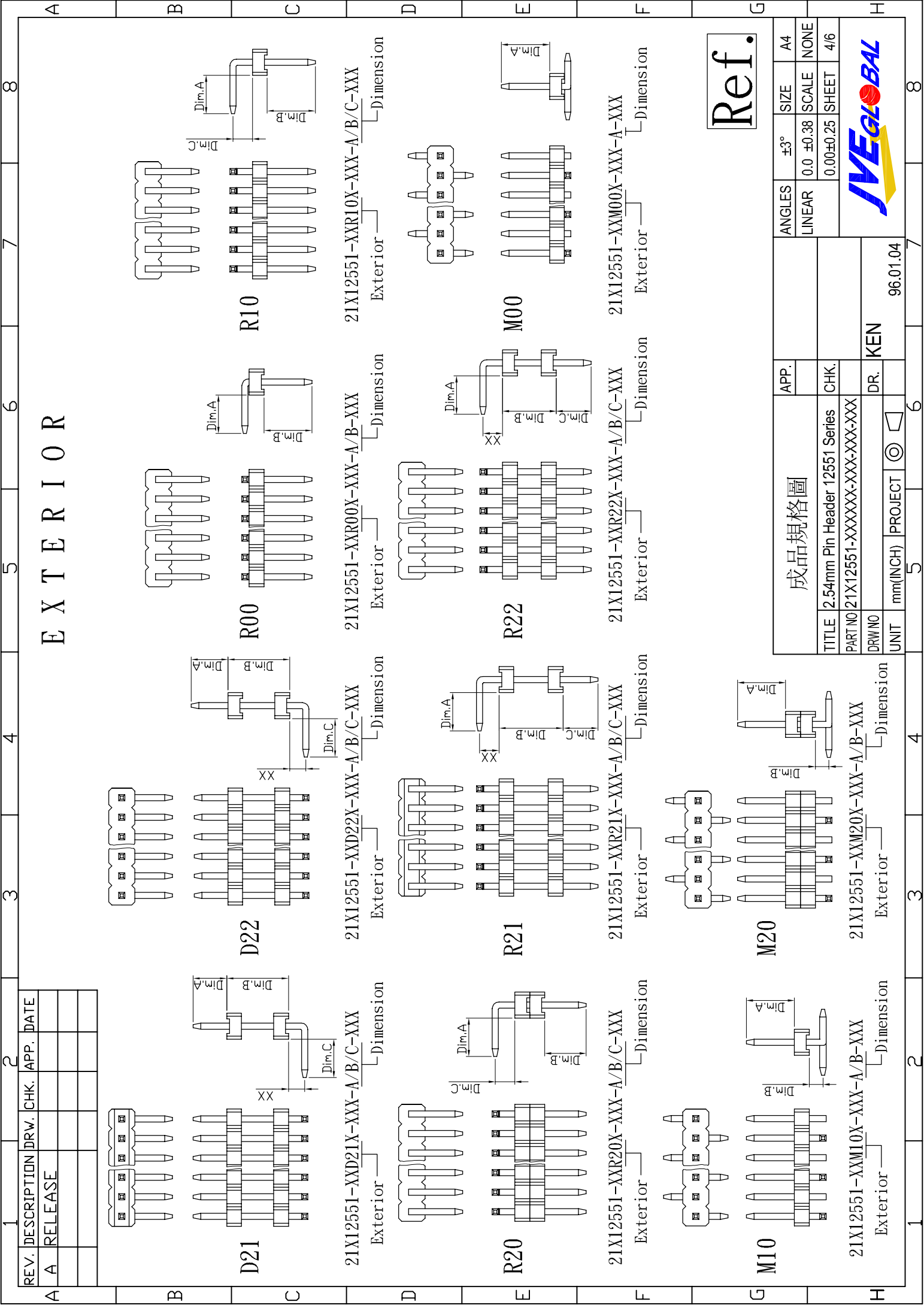
21X12551-XXD20X-XXX-A/B/C-XXX
Exterior

Dimension

Ref.

成品規格圖		APP.	ANGLES	±3°	SIZE	A4
TITLE	2.54mm Pin Header 12551 Series	CHK.	LINEAR	0.0	±0.38	NONE
PART NO	21X12551-XXXXXX-XXX-XXX-XXX			0.00	±0.25	3/6
DRW NO		DR.	KEN			
UNIT	mm(INCH)	PROJECT	96.01.04			





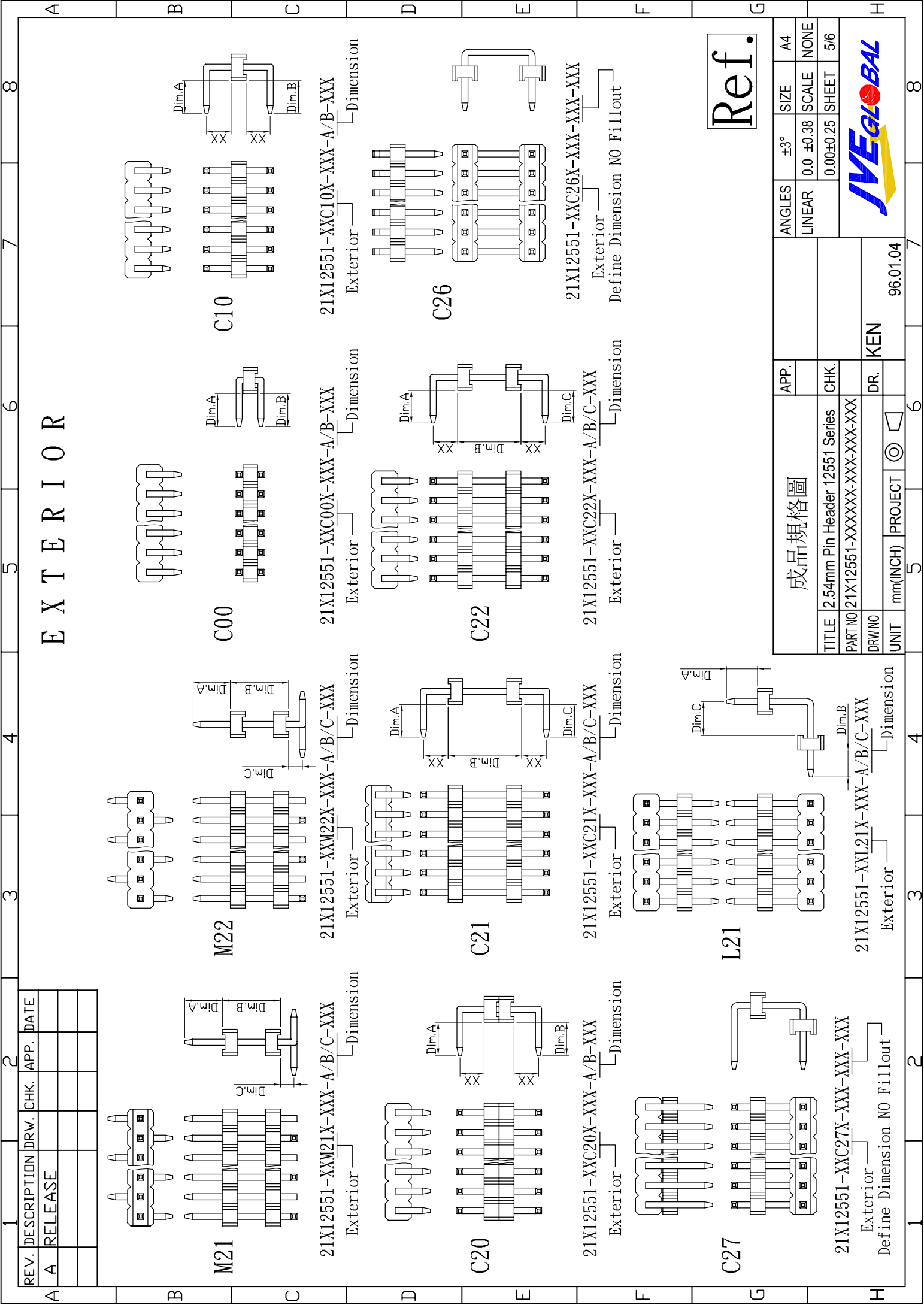
EXTERIOR

REV.	DESCRIPTION	DRW.	CHK.	APP.	DATE
A	RELEASE				

Ref.

成品規格圖		APP.	ANGLES	±3°	SIZE	A4
TITLE 2.54mm Pin Header 12551 Series		CHK.	LINEAR	0.0	±0.38	NONE
PART NO 21X12551-XXXXXX-A/B/C-XXX				0.00	±0.25	SHEET 4/6
DRW NO		DR.	KEN			
UNIT	mm(INCH)	PROJECT	96.01.04			





EXTERIOR

REV.	DESCRIPTION	DRW.	CHK.	APP.	DATE
A	RELEASE				

Ref.

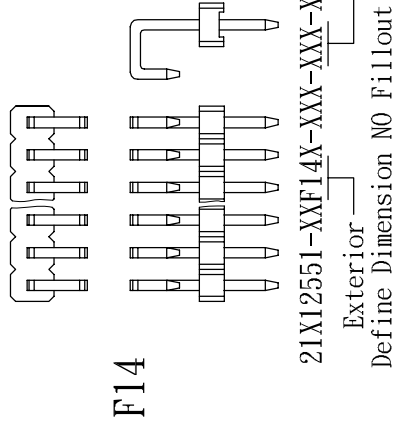
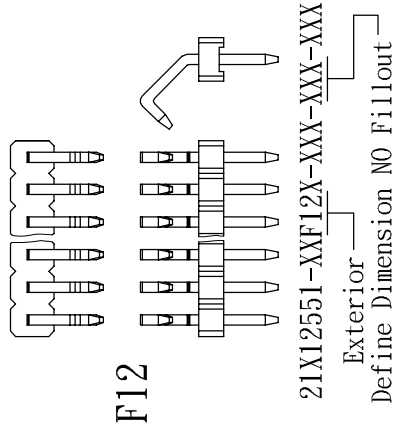
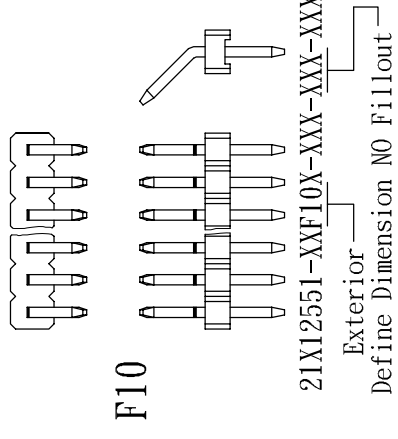
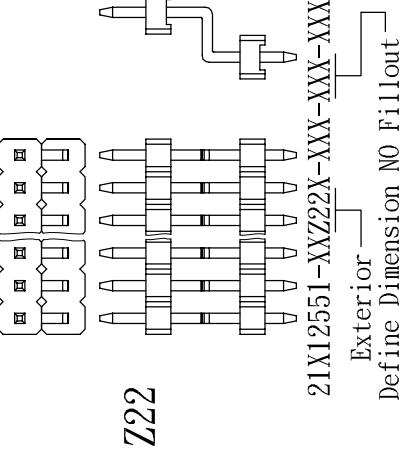
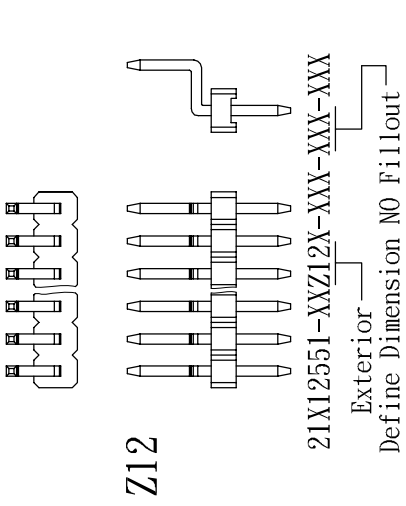
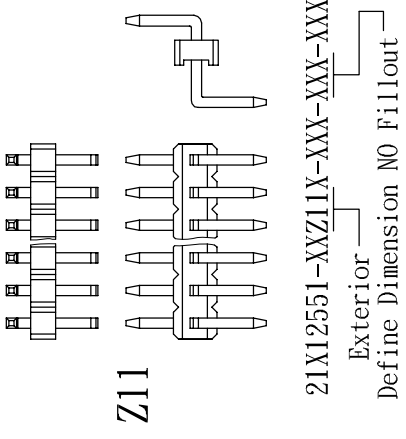
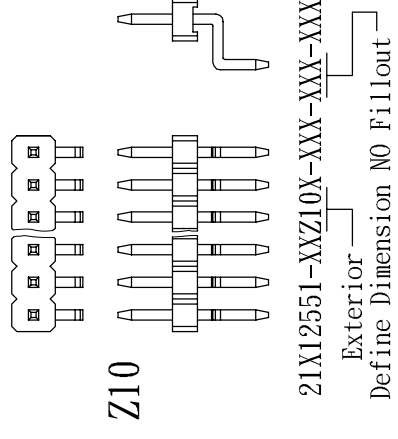
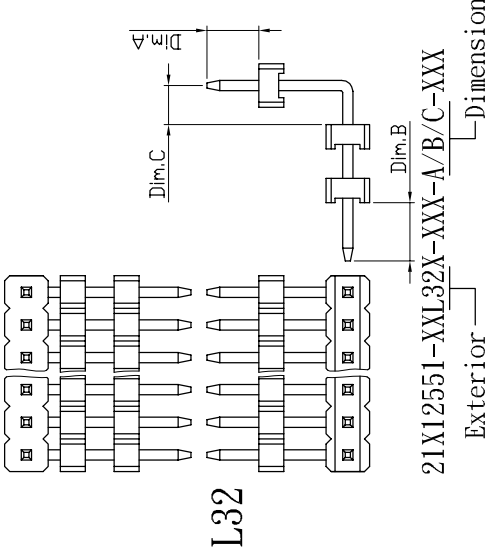
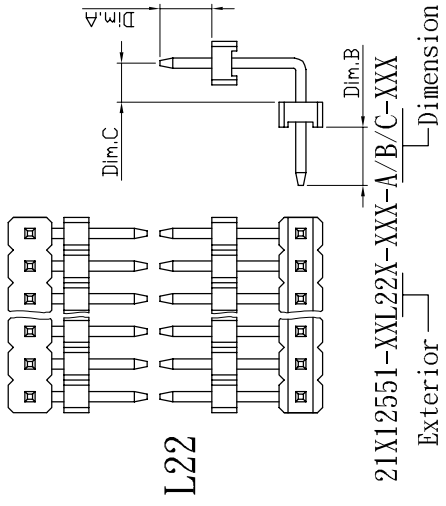
成品規格圖		APP.	ANGLES	±3°	SIZE	A4
TITLE		2.54mm Pin Header 12551 Series	LINEAR	0.0	±0.38	NONE
PART NO		21X12551-XXXXXX-XXX-XXX-XXX				
DRW NO						
UNIT		mm(INCH)	PROJECT	DR.	KEN	
					96.01.04	



1 2 3 4 5 6 7 8

E X T E R I O R

REV.	DESCRIPTION	DRW.	CHK.	APP.	DATE
A	RELEASE				



Ref.

成品規格圖		APP.	ANGLES	±3°	SIZE	A4
TITLE 2.54mm Pin Header 12551 Series		CHK.	LINEAR	0.0 ±0.38	SCALE	NONE
PART NO 21X12551-XXXXXX-XXX-XXX-XXX				0.00±0.25	SHEET	6/6
DRW NO		DR.	JVEGLOBAL			
UNIT mm(INCH)		PROJECT	96.01.04			
5		6	7			
4		8				

A B C D E F G H