

REV.	DESCRIPTION	DRW.	CHK.	APP.	DATE
A	RELEASE				

**SPECIFICATIONS**

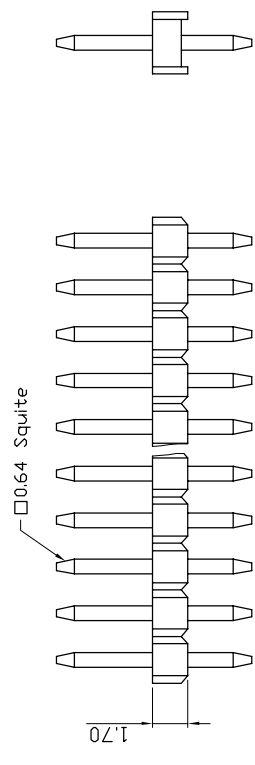
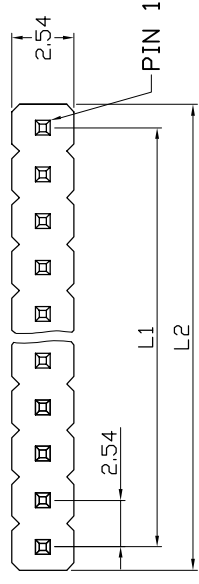
Current Rating: 3 Amp  
 Insulator resistance: 5000 Megohms Min.  
 Contact resistance: 20 m ohms Max.  
 Dielectric withstanding: AC 1000V/minute  
 Operating Temperature: -40° ~ +105°C  
 Contact Material: BRASS  
 Insulator Material: High Temperature Thermoplastic +Glass Fibre UL94V-0  
 Color: Black  
 Finish: Gold, Tin or Duplex plated  
 Standard: Gold flash all over  
 Duplex plated:  
 Gold plated on contact area  
 Tin on solder area

**RoHS Compliance**

**ORDERING INFORMATION**

21X11764-XXXXXX-XXX-XXX-XXX

Material: B PBT, N Nylon-6T, L LCP  
 Row of plastic Single Row  
 Plastic Height: 1.70mm  
 Spacing & Pitch: 0.64sq x PH2.54mm  
 Number of Contact: 02-40  
 Exterior: Referenced Sheet 3/6, 4/6, 5/6, 6/6  
 Adjunctive Code Referenced Sheet 2/6  
 Dimension: A, 6/3, A/B, 6/3/1.5, A/B/C  
 Plating Type: G Gold Plated, T Tin Plated, H Duplex Plated  
 Contact Plating: 01 Normal, 03 3µ", 05 5µ", 10 10µ"  
 Color: B Black, R Red, U Blue, ...



示意圖

Ref.

Circuits	Dimension mm
1	L1
2	L2
3	2.54
4	5.08
5	7.62
6	10.16
7	12.70
8	15.24
9	17.78
10	20.32
11	22.86
12	25.40
13	27.94
14	30.48
15	33.02
16	35.56
17	38.10
18	40.64
19	43.18
20	45.72
21	48.26
22	50.80
23	53.34
24	55.88
25	58.42
26	60.96
27	63.50
28	66.04
29	68.58
30	71.12
31	73.66
32	76.20
33	78.74
34	81.28
35	83.82
36	86.36
37	88.90
38	91.44
39	93.98
40	96.52
	99.06
	101.60

APP.	ANGLES	±3°	SIZE
成品規格圖	LINEAR	0.0 ±0.38	A4
TITLE: 2.54mm Pin Header 11764 Series	CHK.	0.00±0.25	NONE
PART NO: 21X11764-XXXXXX-XXX-XXX-XXX	DR.		1/6
DRW NO	UNIT	mm(INCH)	PROJECT
			96.01.04
			KEN



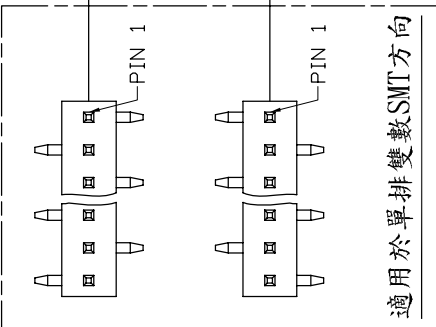
A B C D E F G H

1 2 3 4 5 6 7 8

REV.	DESCRIPTION	DRW.	CHK.	APP.	DATE
A	RELEASE				

# ADJUNCTIVE CODE

21X11764-XXXXXX-XXX-XXX- A B C E F M S X Y Z K VRWN HXX PX



塑膠彩色印刷

高低針

跳PIN

成品兩側打Kink

磷銅端子

紅銅端子

加 CAP

加 圓片端子

加 WAFER

加 Mini Jumper

彎角 or SMT+DIP

CUTTER

成品規格圖

TITLE	2.54mm Pin Header 1764 Series	CHK.	
PART NO	21X11764-XXXXXX-XXX-XXX-XXX	DR.	KEN
UNIT	mm(INCH)	PROJECT	96.01.04

ANGLES	±3°	SIZE	A4
LINEAR	0.0 ±0.38	SCALE	NONE
	0.00±0.25	SHEET	2/6



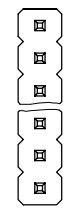
A B C D E F G H

1 2 3 4 5 6 7 8

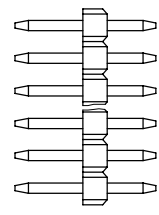
1 2 3 4 5 6 7 8

# EXTERIOR

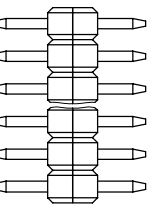
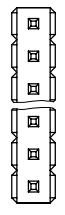
REV.	DESCRIPTION	DRW.	CHK.	APP.	DATE
A	RELEASE				



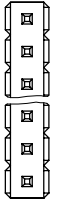
S10



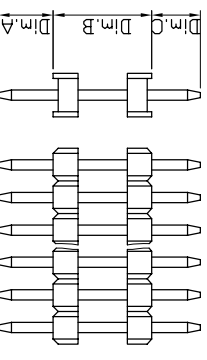
S23



S21

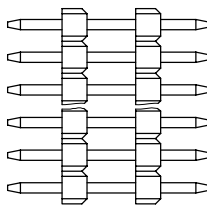


S22



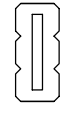
21X11764-XXS10X-XXX-A/B-C-XXX

Exterior — Dimension

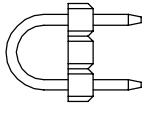


21X11764-XXS21X-XXX-A/B/C-XXX

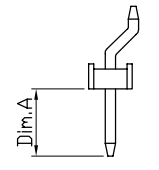
Exterior — Dimension



A10

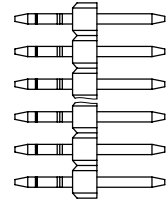


J10



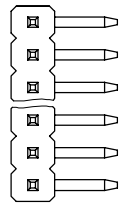
21X11764-XXA10X-XXX-A/B-XXX

Exterior — Dimension

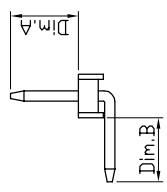


21X11764-XXJ10X-XXX-A-XXX

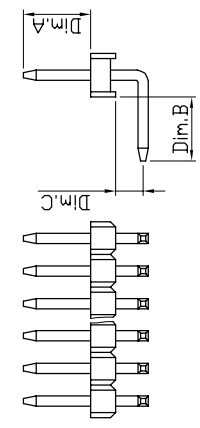
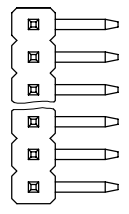
Exterior — Dimension



D00

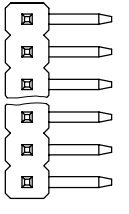


D10

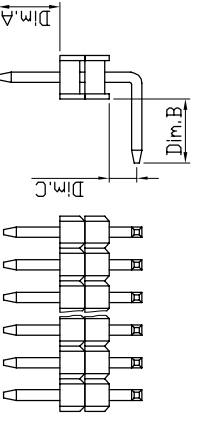


21X11764-XXD10X-XXX-A/B/C-XXX

Exterior — Dimension



D20



21X11764-XXD20X-XXX-A/B/C-XXX

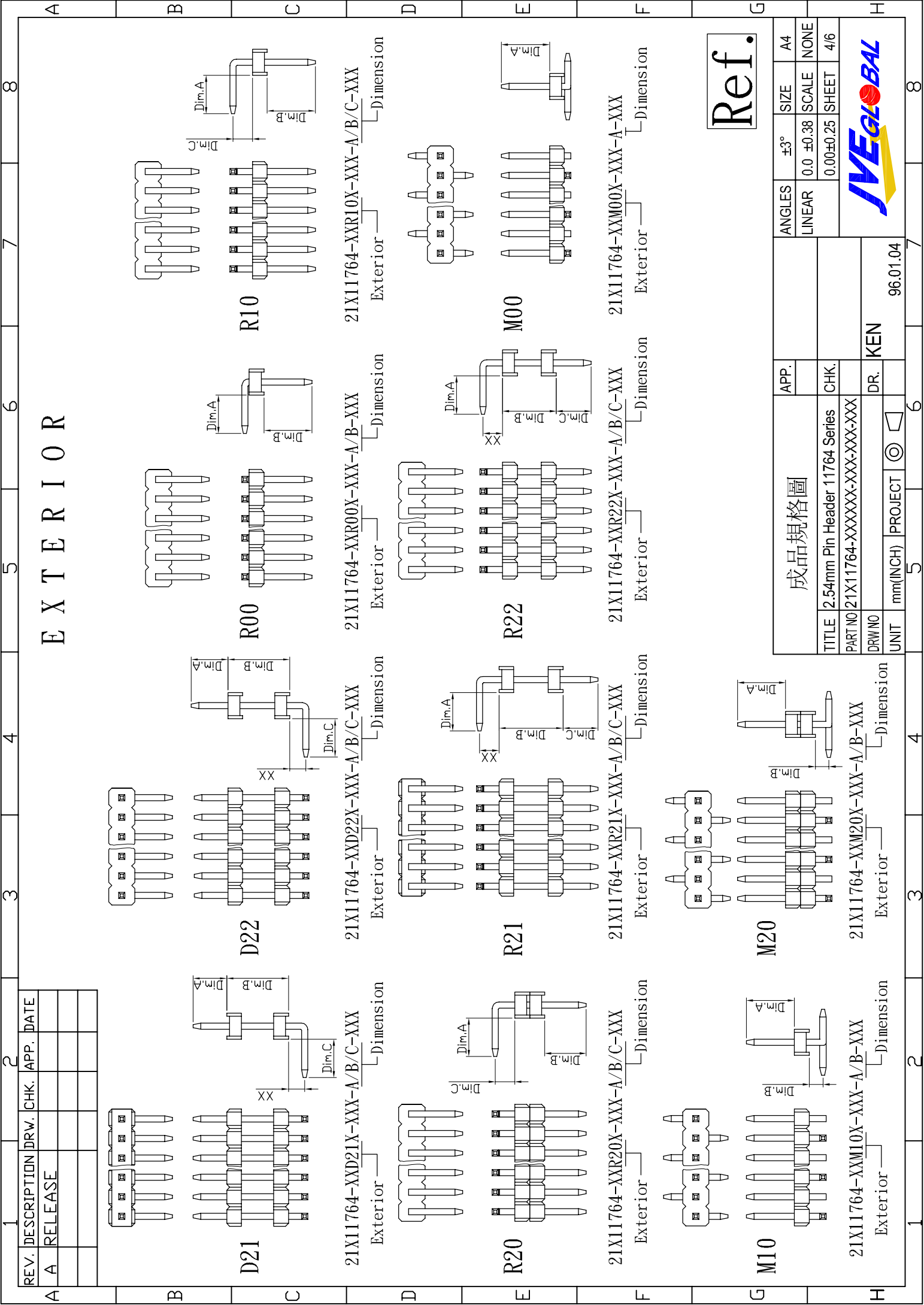
Exterior — Dimension

Ref.

成品規格圖		APP.	ANGLES	±3°	SIZE	A4
TITLE 2.54mm Pin Header 1764 Series		CHK.	LINEAR		0.0 ±0.38	NONE
PART NO 21X11764-XXXXXX-XXX-XXX-XXX					0.00±0.25	3/6
DRW NO		DR.	KEN			
UNIT	mm(INCH)	PROJECT	◎		96.01.04	8



A B C D E F G H



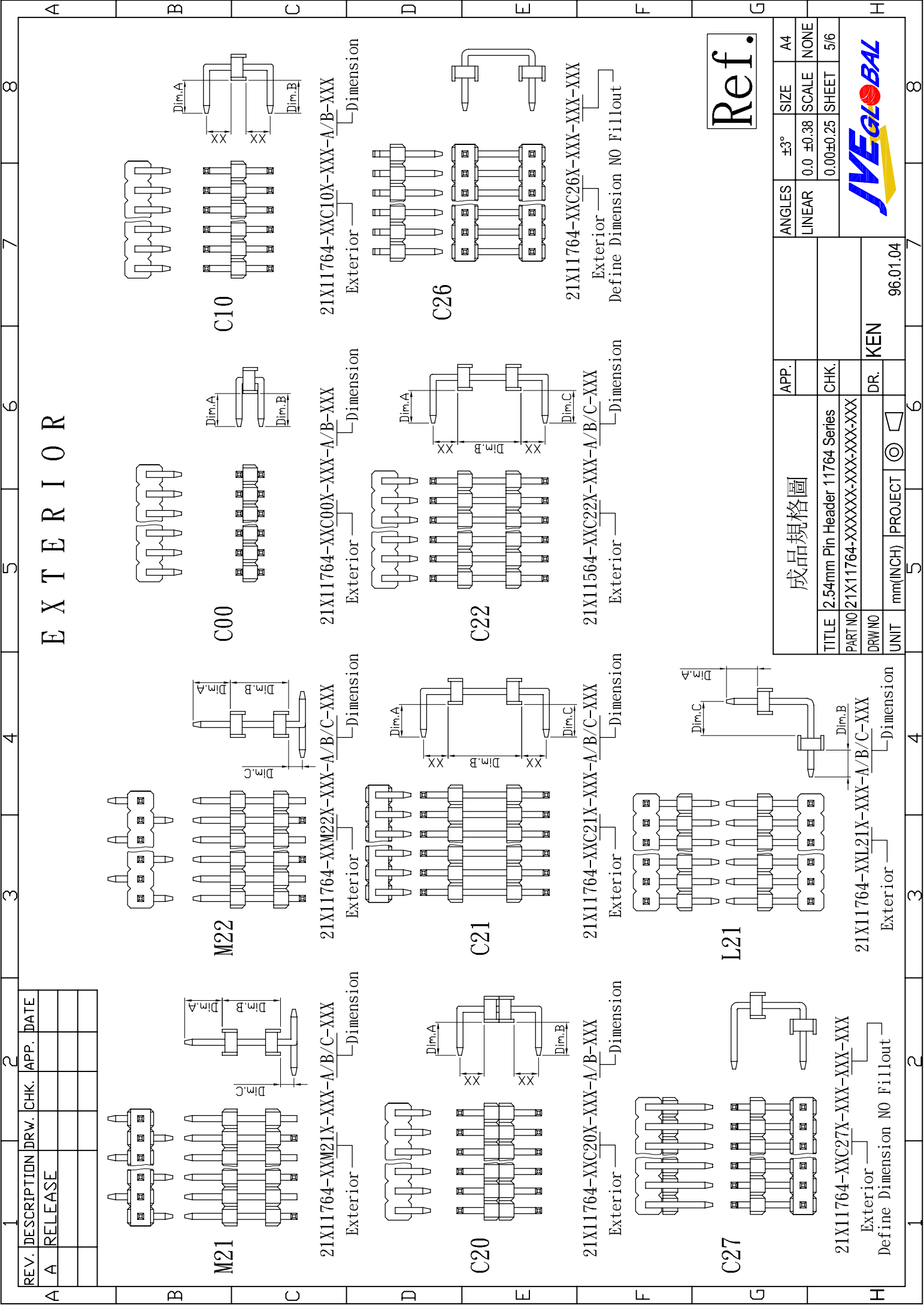
# EXTERIOR

REV.	DESCRIPTION	DRW.	CHK.	APP.	DATE
A	RELEASE				

Ref.

成品規格圖		APP.	ANGLES	±3°	SIZE	A4
TITLE 2.54mm Pin Header 1764 Series		CHK.	LINEAR	0.0	±0.38	NONE
PART NO 21X11764-XXXXXX-A/B/C-XXX				0.00	±0.25	4/6
DRW NO		DR.	KEN			
UNIT mm(INCH)		PROJECT	96.01.04			





# EXTERIOR

REV.	DESCRIPTION	DRW.	CHK.	APP.	DATE
A	RELEASE				

Ref.

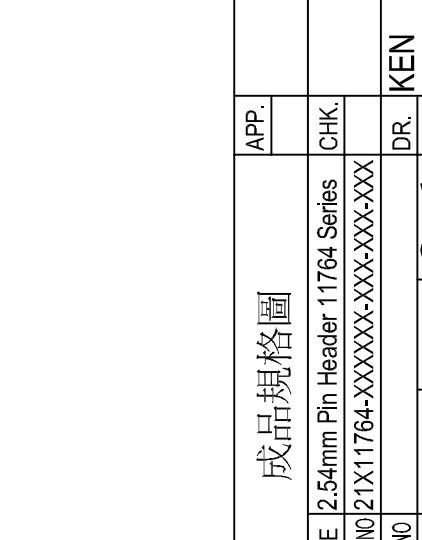
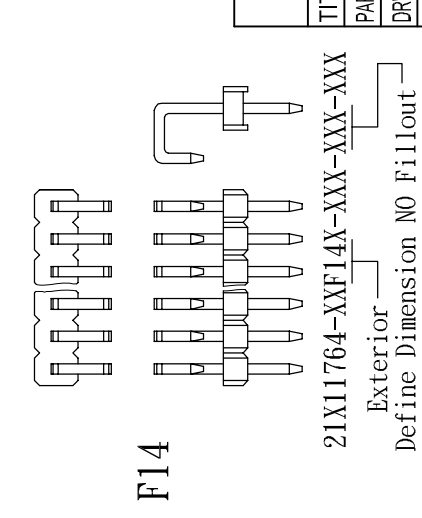
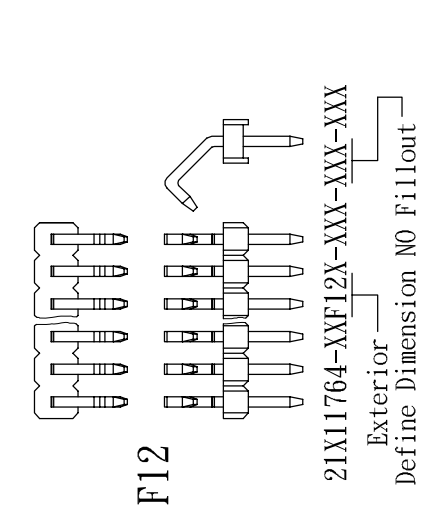
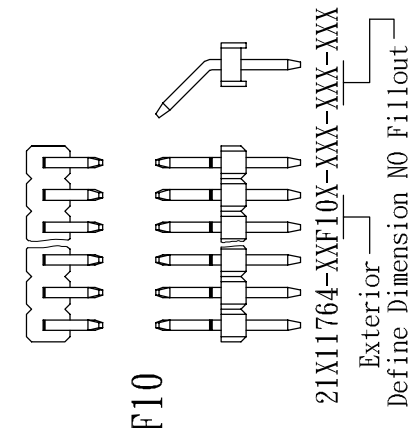
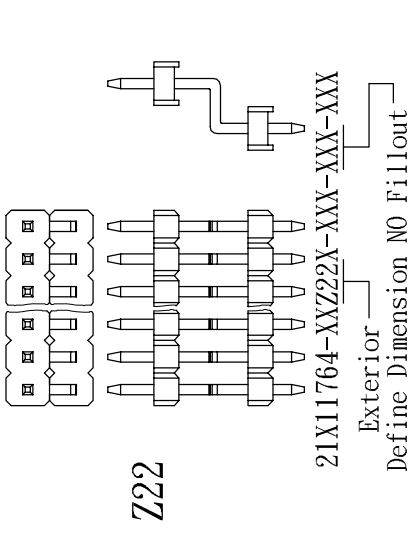
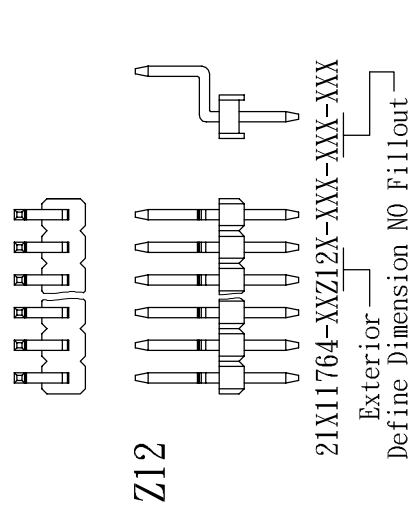
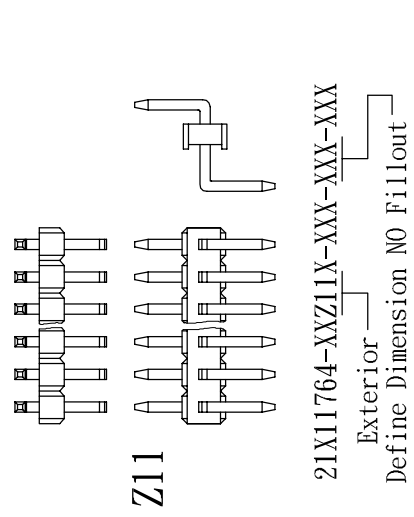
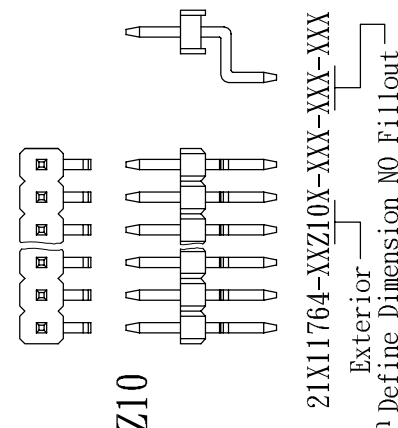
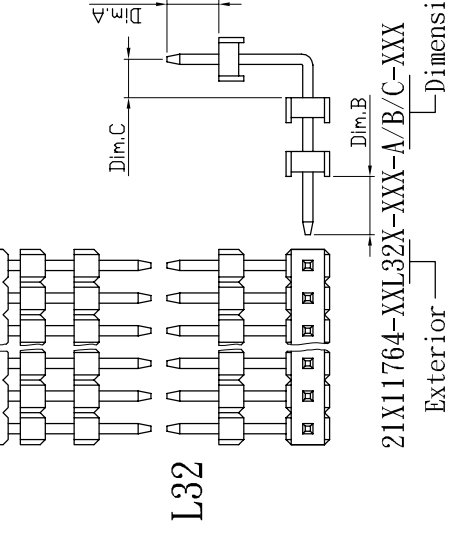
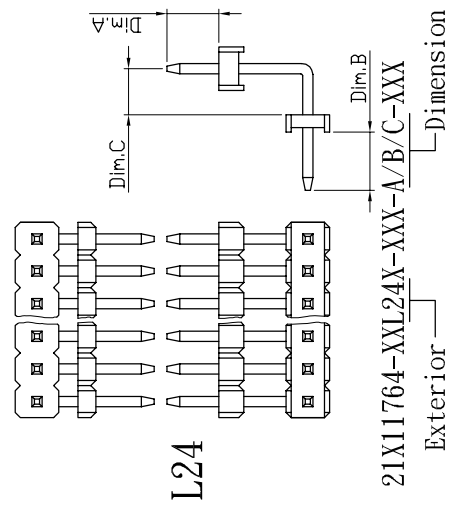
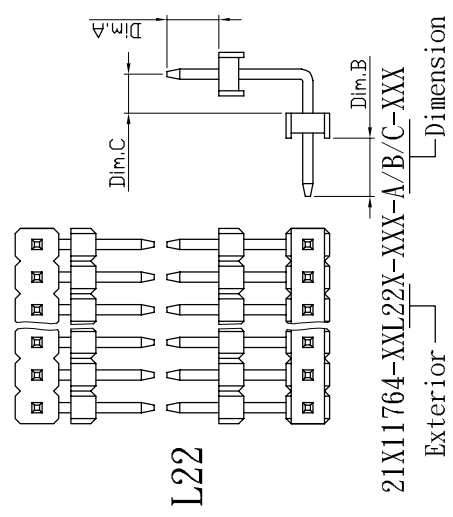
成品規格圖		APP.	ANGLES	±3°	SIZE	A4
TITLE	2.54mm Pin Header 1764 Series	CHK.	LINEAR	0.0 ±0.38	SCALE	NONE
PART NO	21X11764-XXXXXX-XXX-XXX-XXX	DR.		0.00±0.25	SHEET	5/6
DRW NO						
UNIT	mm(INCH)	PROJECT	◎			
		KEN				
		96.01.04				



1 2 3 4 5 6 7 8

# E X T E R I O R

REV.	DESCRIPTION	DRW.	CHK.	APP.	DATE
A	RELEASE				



Ref.

成品規格圖		APP.	ANGLES	±3°	SIZE	A4
TITLE: 2.54mm Pin Header 11764 Series		CHK.	LINEAR	0.0	±0.38	NONE
PART NO: 21X11764-XXXXXX-XXX-XXX-XXX				0.00±0.25		6/6
DRW NO		DR.	KEN		96.01.04	
UNIT	mm(INCH)	PROJECT			8	



A B C D E F G H