

REV.	DESCRIPTION	DRW.	CHK.	APP.	DATE
A	RELEASE				

SPECIFICATIONS

Current Rating: 3 Amp
 Insulator resistance: 5000 Megohms Min.
 Contact resistance: 20 m ohms Max.
 Dielectric withstanding: AC 1000V/minute
 Operating Temperature: -40° ~ +105°C
 Contact Material: BRASS
 Insulator Material: High Temperature Thermoplastic
 +Glass Fibre UL94V-0
 Color: Black
 Finish: Gold, Tin or Duplex plated
 Standard: Gold flash all over
 Duplex plated:
 Gold plated on contact area
 Tin on solder area

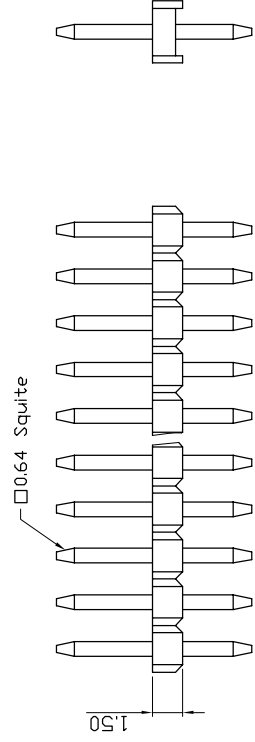
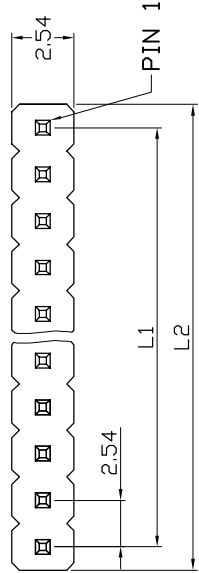
RoHS Compliance

ORDERING INFORMATION

21X11564-XXXXXX-XXX-XXX-XXX

Material: B PBT, N Nylon-6T, L LCP
 Row of plastic Single Row
 Plastic Height: 1.50mm
 Spacing & Pitch: 0.64sq x PH2.54mm
 Number of Contact: 02-40
 Exterior: Referenced Sheet 3/6, 4/6, 5/6, 6/6

Adjunctive Code Referenced Sheet 2/6
 Dimension: A, 6/3, A/B, 6/3/1.5, A/B/C
 Plating Type: G Gold Plated, T Tin Plated, H Duplex Plated
 Contact Plating: 01 Normal, 03 3μ", 05 5μ", 10 10μ"
 Color: B Black, R Red, U Blue, ...



示意圖

Ref.

成品規格圖		APP.	ANGLES	±3°	SIZE	A4
TITLE	2.54mm Pin Header 11564 Series	CHK.	LINEAR	0.0 ±0.38	SCALE	NONE
PART NO	21X11564-XXXXXX-XXX-XXX-XXX			0.00±0.25	SHEET	1/6
DRW NO		DR.	KEN			
UNIT	mm(INCH)	PROJECT	96.01.04			



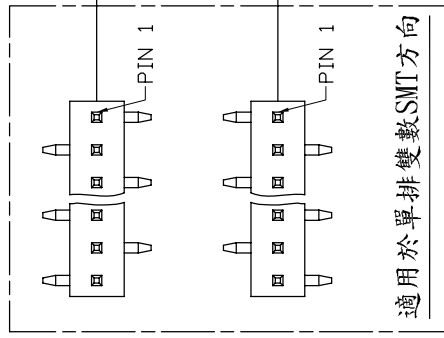
A B C D E F G H

1 2 3 4 5 6 7 8

REV.	DESCRIPTION	DRW.	CHK.	APP.	DATE
A	RELEASE				

ADJUNCTIVE CODE

21X11564-XXXXXX-XXX-XXX-**A B C E F M S X Y Z K VRWN HXX PX**



塑膠彩色印刷

高低針

跳PIN

成品兩側打Kink

磷銅端子

紅銅端子

CUTTER

加 CAP

加 圓片 端子

加 WAFER

加 Mini Jumper

彎角 or SMT+DIP

成品規格圖

TITLE	2.54mm Pin Header 11564 Series	CHK.	
PART NO	21X11564-XXXXXX-XXX-XXX-XXX	DR.	KEN
UNIT	mm(INCH)	PROJECT	96.01.04

ANGLES	±3°	SIZE	A4
LINEAR	0.0 ±0.38	SCALE	NONE
	0.00±0.25	SHEET	2/6



A B C D E F G H

1 2 3 4 5 6 7 8

1 2 3 4 5 6 7 8

E X T E R I O R

REV.	DESCRIPTION	DRW.	CHK.	APP.	DATE
A	RELEASE				

S10

21X11564-XXS10X-XXX-A/B-XXX
Exterior

S20

21X11564-XXS20X-XXX-A/B-XXX
Exterior

S21

21X11564-XXS21X-XXX-A/B/C-XXX
Exterior

S22

21X11564-XXS22X-XXX-A/B/C-XXX
Exterior

S23

21X11564-XXS23X-XXX-A/B-XXX
Exterior

A10

21X11564-XXA10X-XXX-A/B-XXX
Exterior

J10

21X11564-XXJ10X-XXX-A-XXX
Exterior

D00

21X11564-XXD00X-XXX-A/B-XXX
Exterior

D10

21X11564-XXD10X-XXX-A/B/C-XXX
Exterior

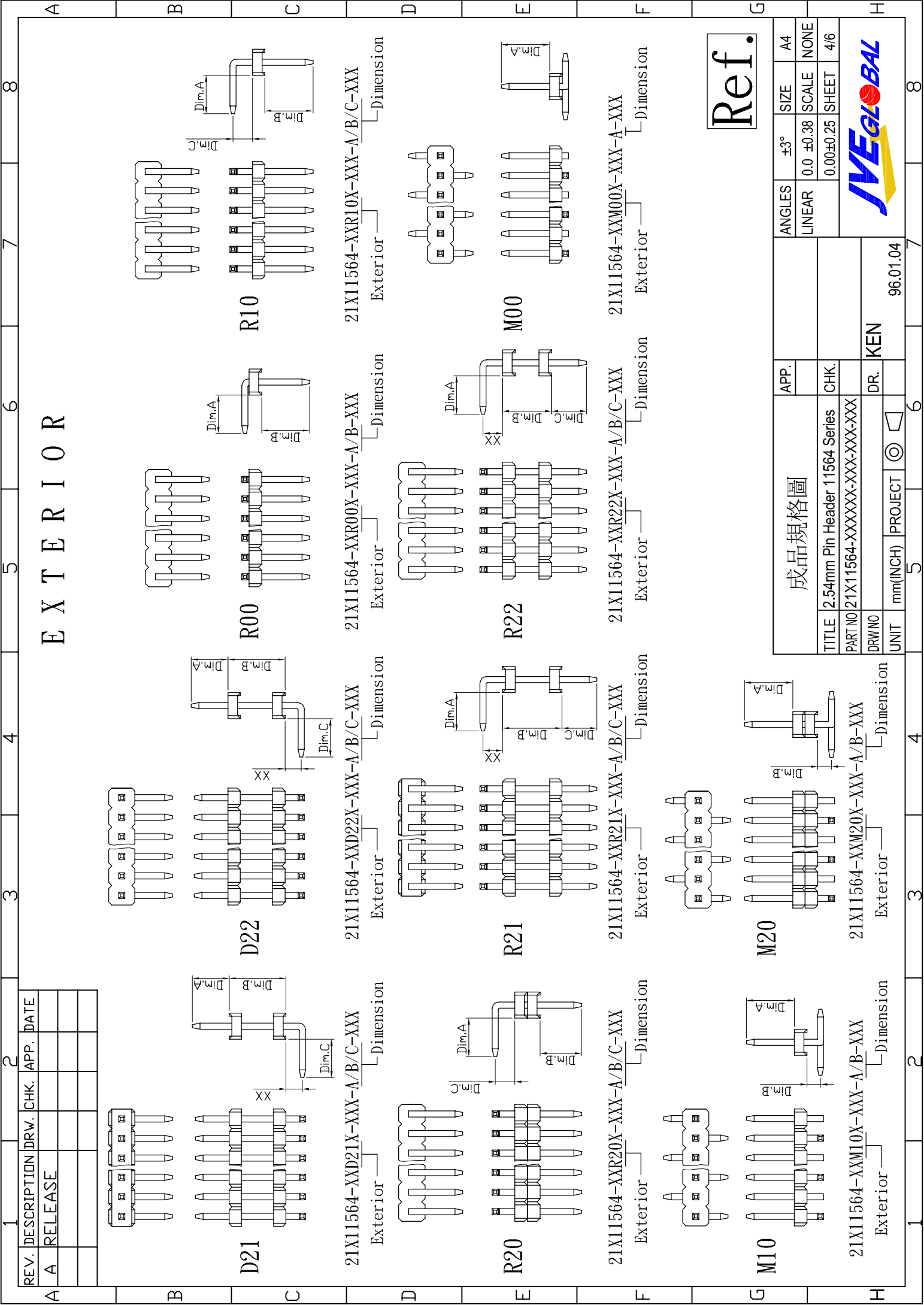
D20

21X11564-XXD20X-XXX-A/B/C-XXX
Exterior

Ref.

成品規格圖		APP.	ANGLES	±3°	SIZE	A4
TITLE	2.54mm Pin Header 11564 Series	CHK.	LINEAR	0.0 ±0.38	SCALE	NONE
PART NO	21X11564-XXXXXX-XXX-XXX-XXX	DR.				
DRW NO		KEN				
UNIT	mm(INCH)	PROJECT	◎		96.01.04	8

A B C D E F G H



E X T E R I O R

REV.	DESCRIPTION	DRW.	CHK.	APP.	DATE
A	RELEASE				

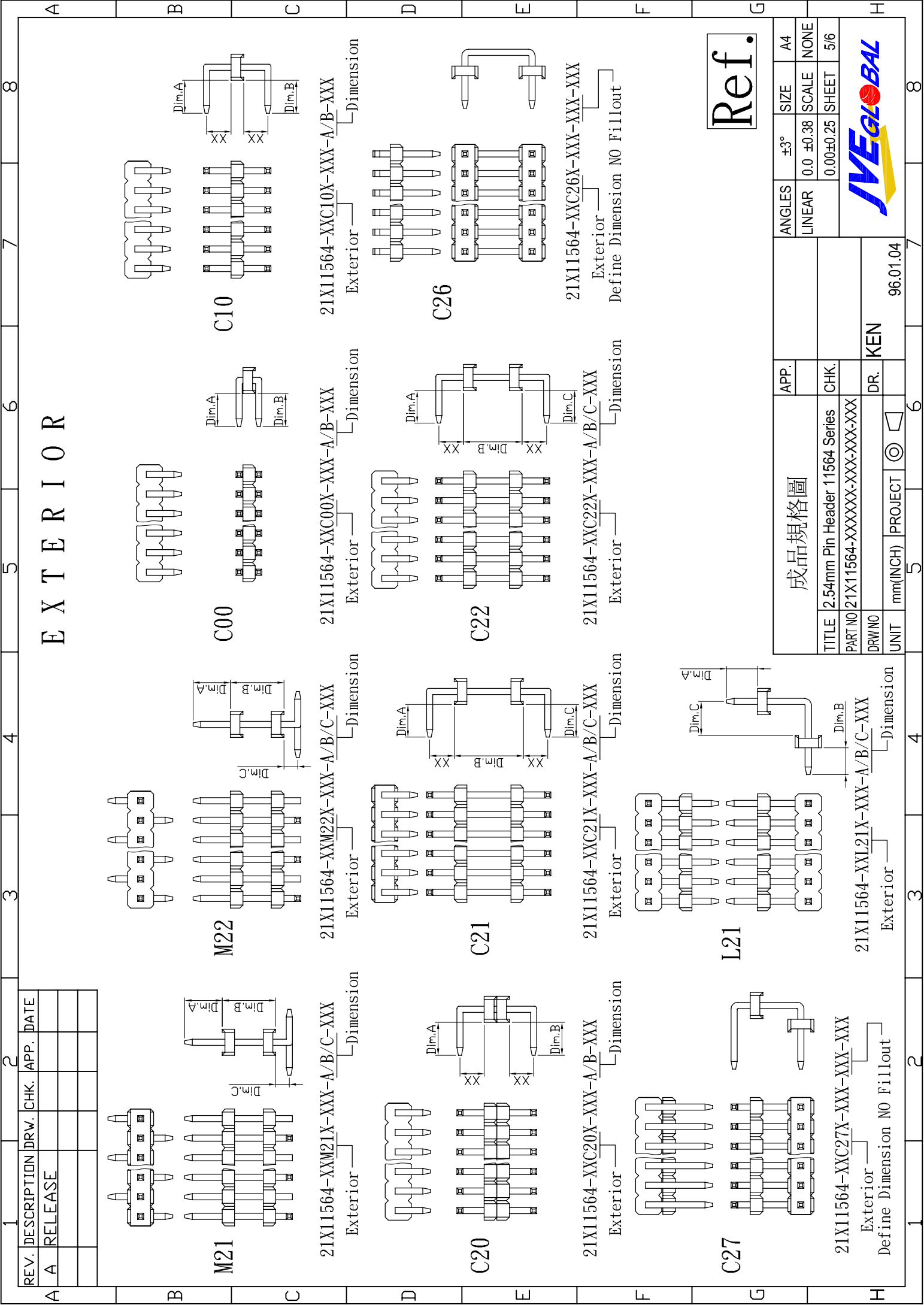
Ref.

成品規格圖		APP.	ANGLES	±3°	SIZE	A4
TITLE 2.54mm Pin Header 1564 Series		CHK.	LINEAR	0.0 ±0.38	SCALE	NONE
PART NO 21X11564-XXXXXX-A/B/C-XXX		DR.	0.00±0.25		SHEET	4/6
DRW NO	PROJECT		KEN		96.01.04	
UNIT	mm(INCH)					



8 7 6 5 4 3 2 1

A B C D E F G H



REV.	DESCRIPTION	DRW.	CHK.	APP.	DATE
A	RELEASE				

Ref.

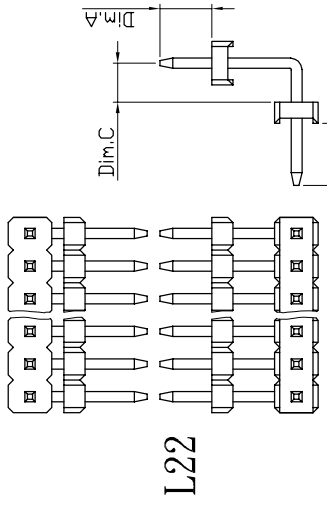
成品規格圖		APP.	ANGLES	±3°	SIZE	A4
TITLE	2.54mm Pin Header 11564 Series	CHK.	LINEAR	0.0	±0.38	NONE
PART NO	21X11564-XXXXXX-XXX-XXX-XXX			0.00±0.25		5/6
DRW NO		DR.				
UNIT	mm(INCH)	PROJECT				
		KEN				
						96.01.04



1 2 3 4 5 6 7 8

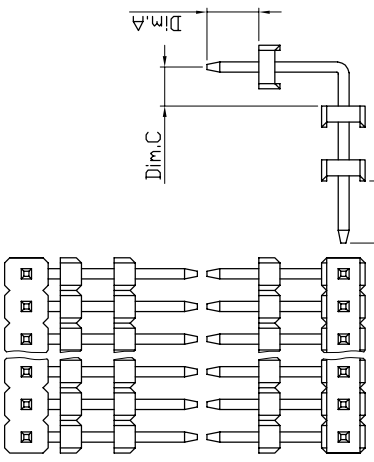
EXTERIOR

REV.	DESCRIPTION	DRW.	CHK.	APP.	DATE
A	RELEASE				



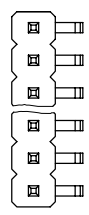
L22

21X11564-XXL22X-XXX-A/B/C-XXX
Exterior Define Dimension



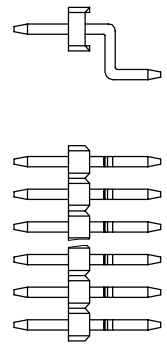
L32

21X11564-XXL32X-XXX-A/B/C-XXX
Exterior Define Dimension



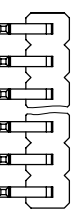
Z10

21X11564-XXZ10X-XXX-XXX
Exterior Define Dimension NO Fillout



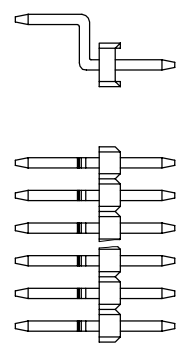
Z11

21X11564-XXZ11X-XXX-XXX-XXX
Exterior Define Dimension NO Fillout



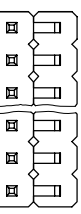
F12

21X11564-XXZ12X-XXX-XXX-XXX
Exterior Define Dimension NO Fillout



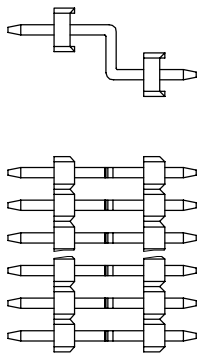
Z12

21X11564-XXZ12X-XXX-XXX-XXX
Exterior Define Dimension NO Fillout



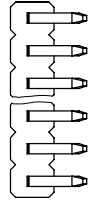
Z22

21X11564-XXZ22X-XXX-XXX-XXX
Exterior Define Dimension NO Fillout



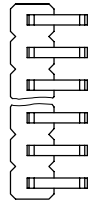
F10

21X11564-XXF10X-XXX-XXX-XXX
Exterior Define Dimension NO Fillout



F12

21X11564-XXF12X-XXX-XXX-XXX
Exterior Define Dimension NO Fillout



F14

21X11564-XXF14X-XXX-XXX-XXX
Exterior Define Dimension NO Fillout

Ref.

成品規格圖		APP.	ANGLES	±3°	SIZE	A4
TITLE 2.54mm Pin Header 11564 Series		CHK.	LINEAR	0.0 ±0.38	SCALE	NONE
PART NO 21X11564-XXXXXX-XXX-XXX-XXX				0.00±0.25	SHEET	6/6
DRW NO		DR.	KEN			
UNIT mm(INCH)		PROJECT	96.01.04			



A B C D E F G H

1 2 3 4 5 6 7 8