

REV.	DESCRIPTION	DRW.	CHK.	APP.	DATE
A	RELEASE				

SPECIFICATIONS

Current Rating:
1 Amp

Insulator resistance:
1000 Megohms Min.

Contact resistance:
25 m ohms Max.

Dielectric withstanding:
AC 500V/minute

Operating Temperature:
-40° ~ +105°C

Contact Material:
BRASS

Insulator Material:
High Temperature Thermoplastic
+Glass Fibre UL94V-0

Color: Black

Finish:
Gold, Tin or Duplex plated
Standard: Gold flash all over
Duplex plated:
Gold plated on contact area
Tin on solder area

RoHS Compliance

ORDERING INFORMATION

21X20250-XXXXXX-XXX-XXX-XXX

Material: B PBT, N Nylon-6T, L LCP

Row of plastic Double Row

Plastic Height: 1.50mm

Squite & Pitch: 0.50sq x PH2.00x2.00mm

Number of Contact: 04-80

Exterior: Referenced Sheet 3/5, 4/5, 5/5

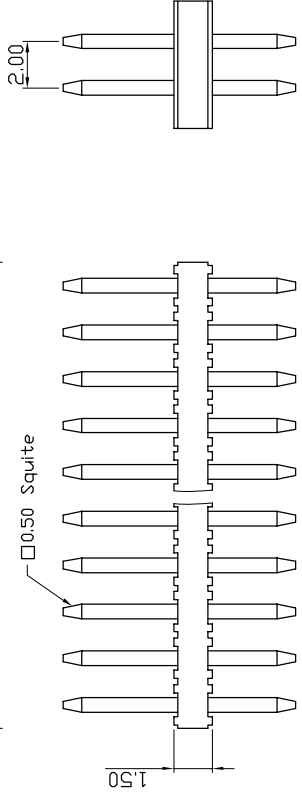
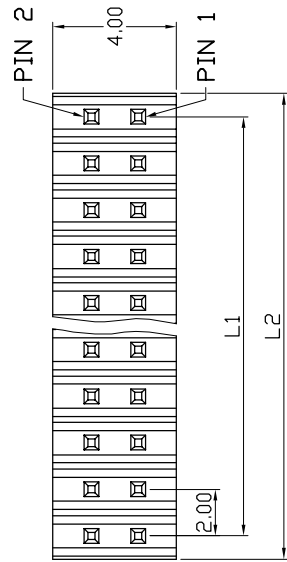
Adjunctive Code Referenced Sheet 2/5

Dimension: A, 6/3, 6/3/1.5, A/B/C

Plating Type: G Gold Plated, T Tin Plated, H Duplex Plated

Contact Plating: 01 Normal, 03 3µ", 05 5µ", 10 10µ"

Color: B Black, R Red, U Blue, ...



示意图

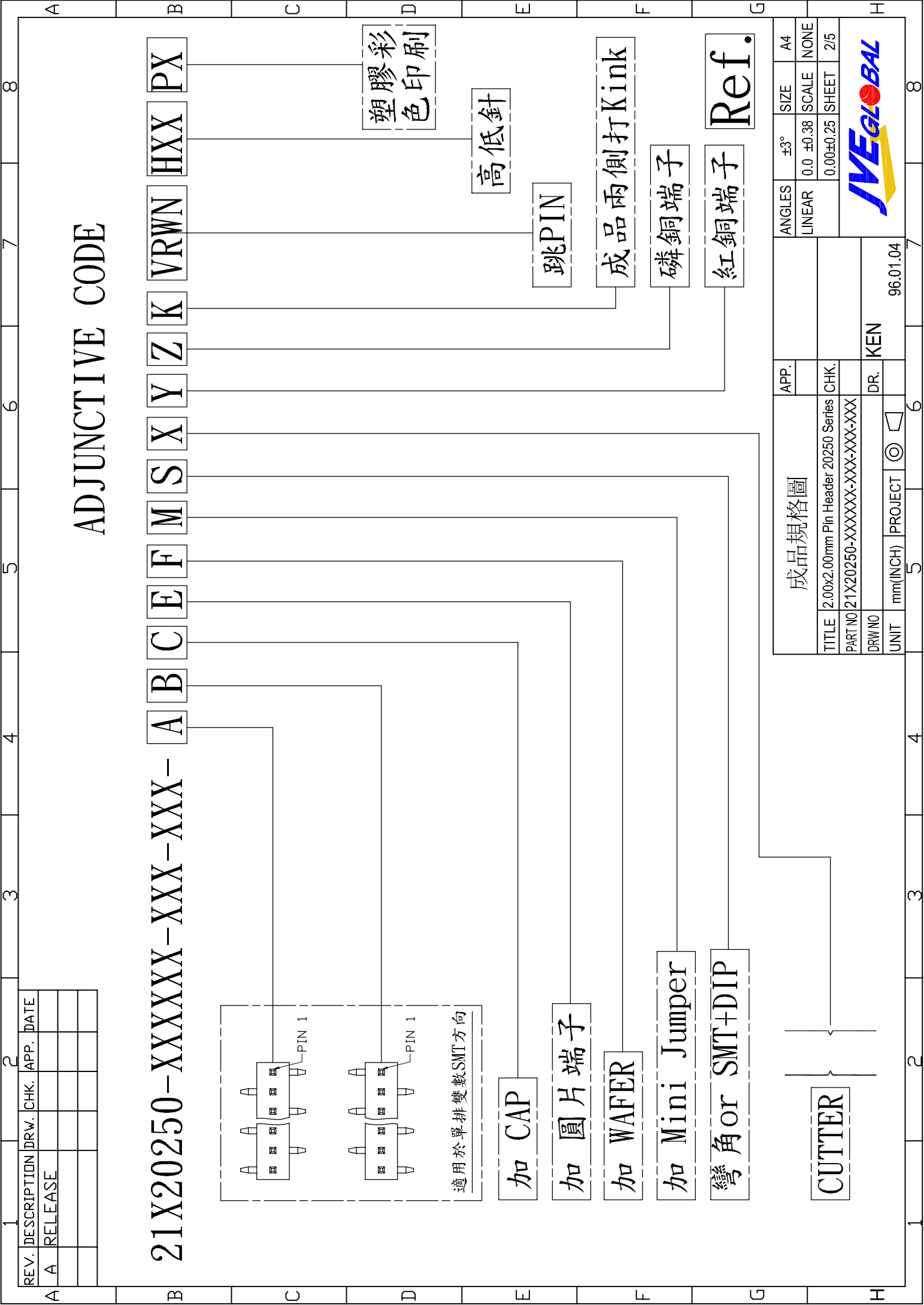
Ref.

Circuits	Dimension mm	
	L1	L2
2X2	2.00	4.00
2X3	4.00	6.00
2X4	6.00	8.00
2X5	8.00	10.00
2X6	10.00	12.00
2X7	12.00	14.00
2X8	14.00	16.00
2X9	16.00	18.00
2X10	18.00	20.00
2X11	20.00	22.00
2X12	22.00	24.00
2X13	24.00	26.00
2X14	26.00	28.00
2X15	28.00	30.00
2X16	30.00	32.00
2X17	32.00	34.00
2X18	34.00	36.00
2X19	36.00	38.00
2X20	38.00	40.00
2X21	40.00	42.00
2X22	42.00	44.00
2X23	44.00	46.00
2X24	46.00	48.00
2X25	48.00	50.00
2X26	50.00	52.00
2X27	52.00	54.00
2X28	54.00	56.00
2X29	56.00	58.00
2X30	58.00	60.00
2X31	60.00	62.00
2X32	62.00	64.00
2X33	64.00	66.00
2X34	66.00	68.00
2X35	68.00	70.00
2X36	70.00	72.00
2X37	72.00	74.00
2X38	74.00	76.00
2X39	76.00	78.00
2X40	78.00	80.00

APP.	ANGLES	±3°	SIZE
	LINEAR	0.0 ±0.38	A4
		0.00±0.25	NONE
			1/5

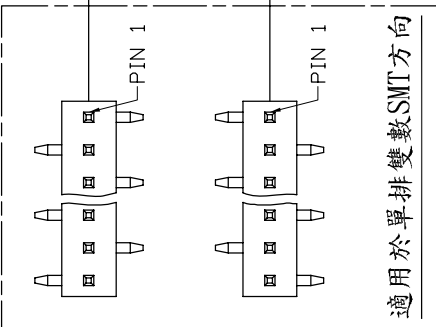
TITLE	CHK.
成品规格图	
2.00x2.00mm Pin Header 20250 Series	
PART NO 21X20250-XXXXXX-XXX-XXX-XXX	
DRW NO	
UNIT mm(INCH)	PROJECT
	DR. KEN
	96.01.04





ADJUNCTIVE CODE

21X20250-XXXXXX-XXX-XXX-ABCDEFMSXYZKVRWNHXXPX



適用於單排雙數SMT方向

加 CAP

加圓片端子

加 WAFER

加 Mini Jumper

彎角 or SMT+DIP

CUTTER

塑膠彩色印刷

高低針

跳PIN

成品兩側打Kink

磷銅端子

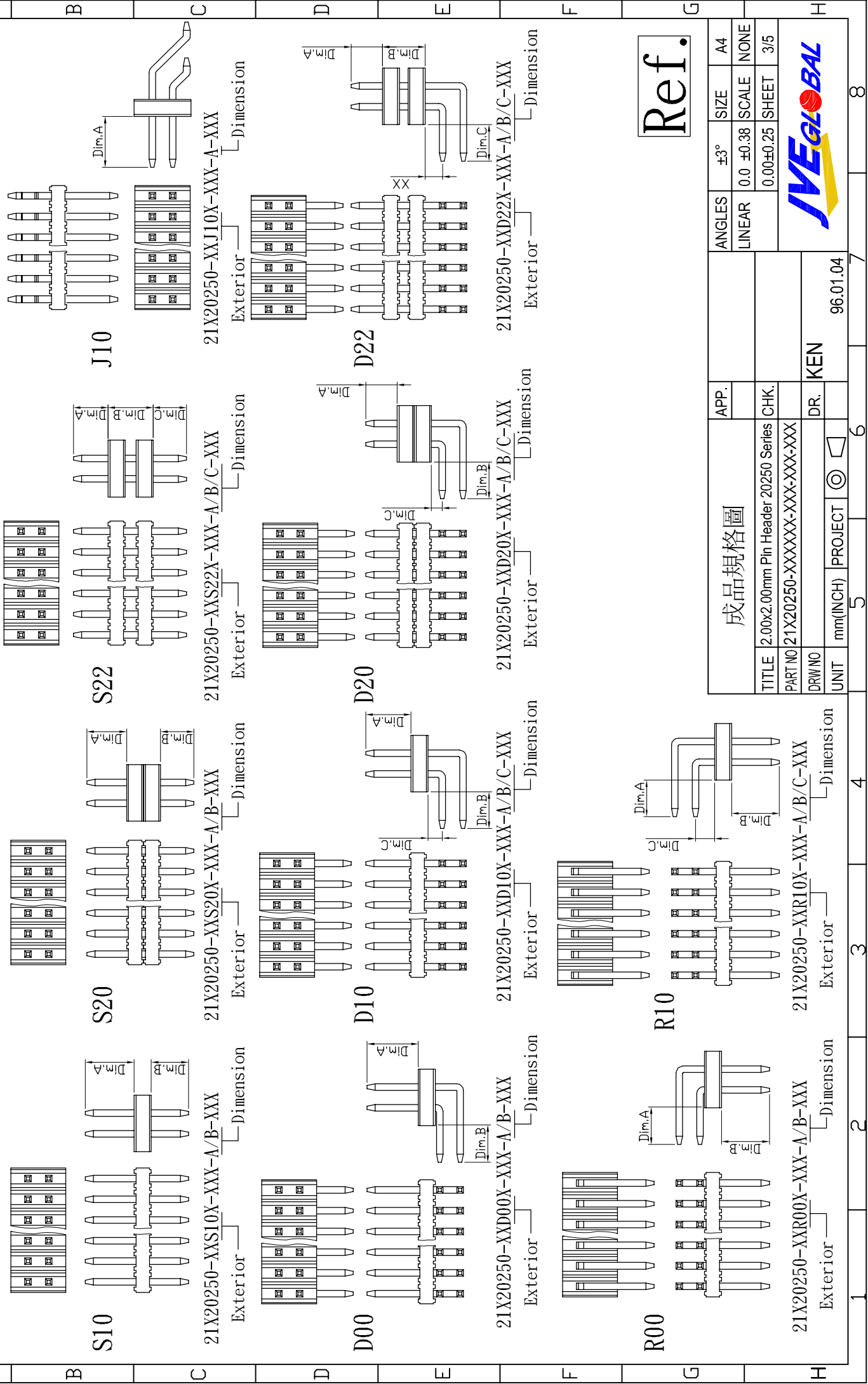
紅銅端子

Ref.

成品規格圖		APP.	ANGLES	±3°	SIZE	A4
TITLE 2.00x2.00mm Pin Header 20250 Series		CHK.	LINEAR	0.0 ±0.38	SCALE	NONE
PART NO 21X20250-XXXXXX-XXX-XXX-XXX		DR.		0.00±0.25	SHEET	2/5
UNIT mm(INCH)		PROJECT	KEN		96.01.04	



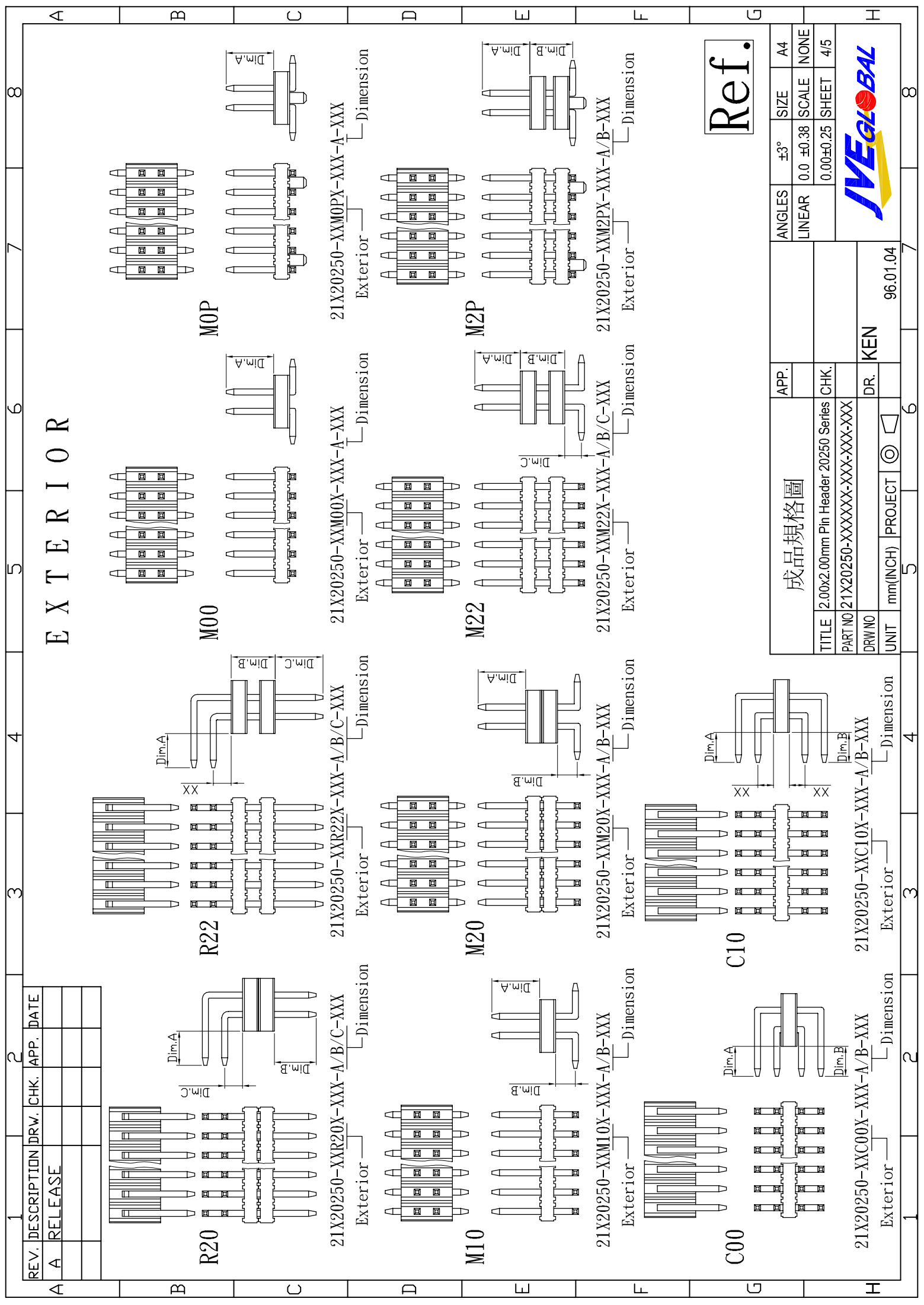
REV.	DESCRIPTION	DRW.	CHK.	APP.	DATE
A	RELEASE				



Ref.

成品規格圖		APP.	ANGLES	±3°	SIZE	A4
TITLE 2.00x2.00mm Pin Header 20250 Series		CHK.	LINEAR	0.0 ±0.38	SCALE	NONE
PART NO 21X20250-XXXXXX-XXX-XXX-XXX				0.00±0.25	SHEET	3/5
DRW NO		DR.	KEN			
UNIT	mm(INCH)	PROJECT	96.01.04			





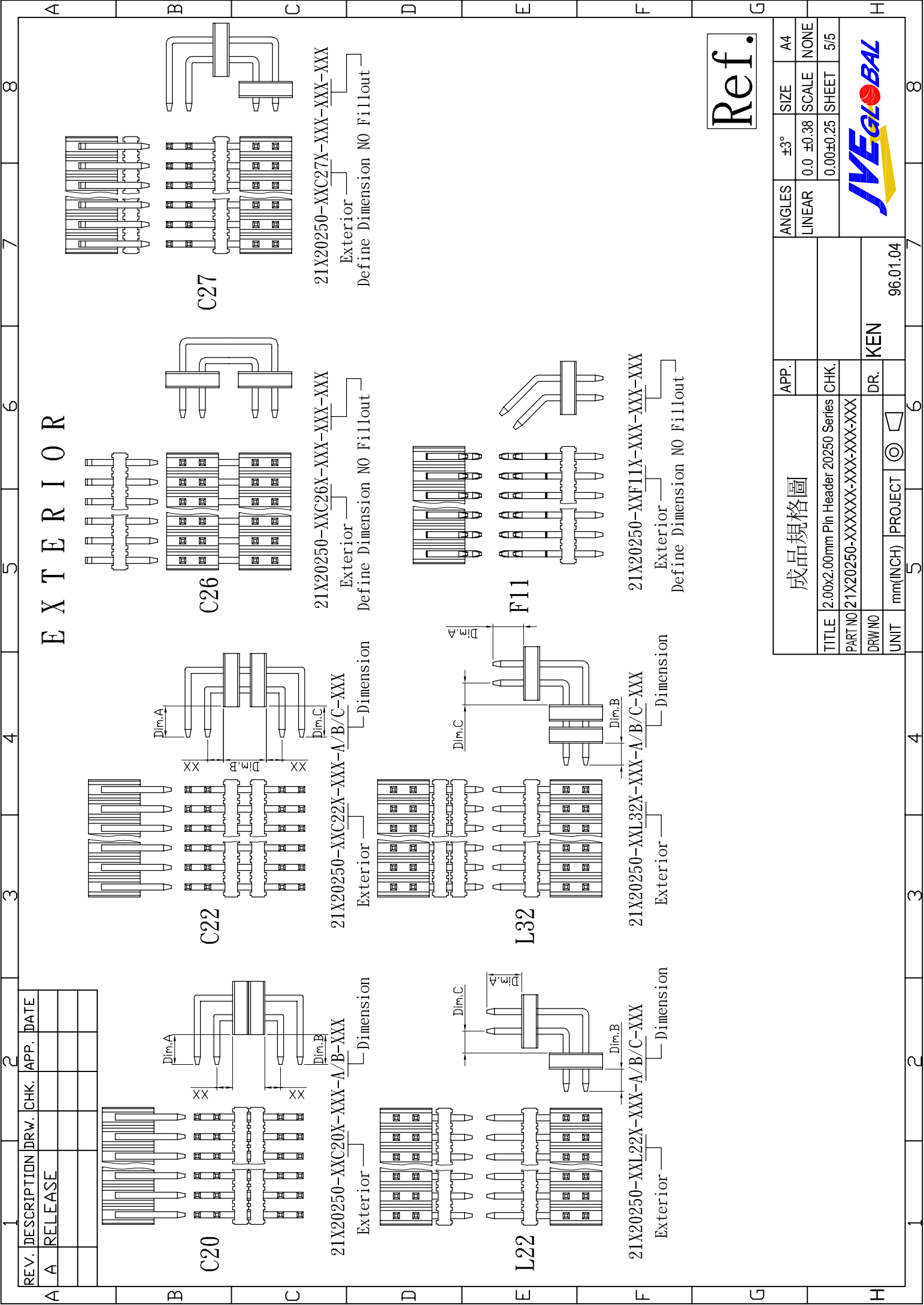
E X T E R I O R

REV.	DESCRIPTION	DRW.	CHK.	APP.	DATE
A	RELEASE				

Ref.

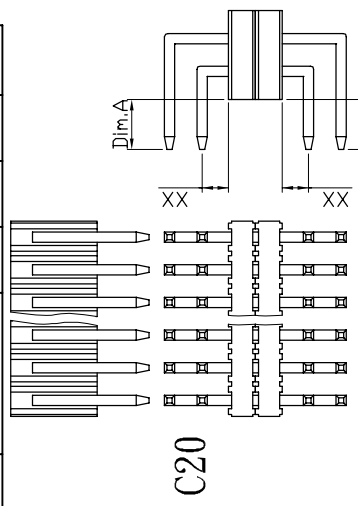
成品規格圖		APP.	ANGLES	±3°	SIZE	A4
TITLE		2.00x2.00mm Pin Header 20250 Series	LINEAR	0.0	±0.38	NONE
PART NO		21X20250-XXXXXX-A-XXX-XXX-XXX				
DRW NO						
UNIT		mm(INCH)	PROJECT	◎		
			DR.	KEN		
					96.01.04	



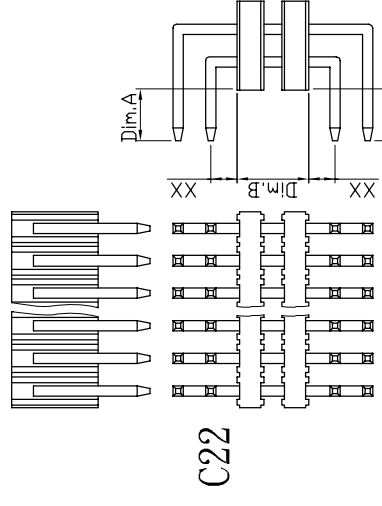


REV.	DESCRIPTION	DRW.	CHK.	APP.	DATE
A	RELEASE				

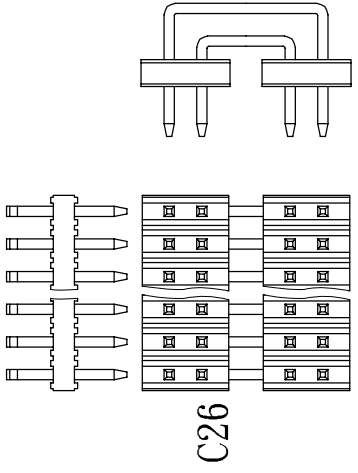
EXTERIOR



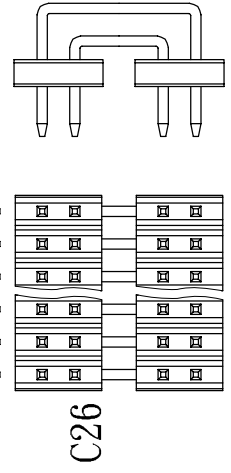
21X20250-XXC20X-XXX-A/B-XXX
Exterior
Dimension



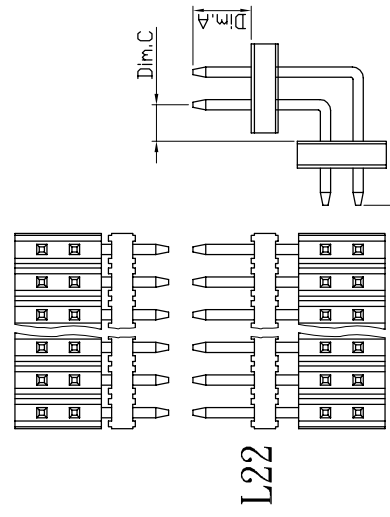
21X20250-XXC22X-XXX-A/B/C-XXX
Exterior
Dimension



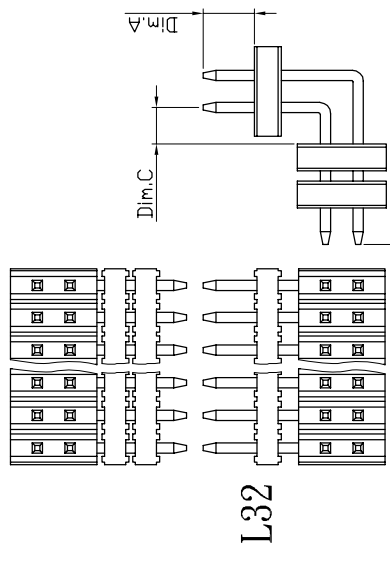
21X20250-XXC26X-XXX-XXX
Exterior
Define Dimension NO Fillout



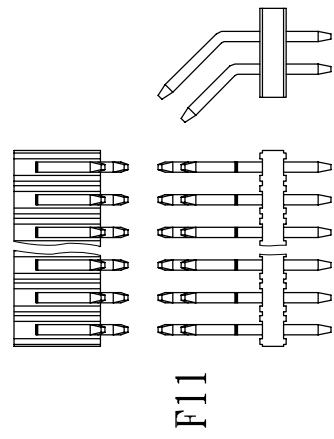
21X20250-XXC27X-XXX-XXX
Exterior
Define Dimension NO Fillout



21X20250-XXL22X-XXX-A/B/C-XXX
Exterior
Dimension



21X20250-XXL32X-XXX-A/B/C-XXX
Exterior
Dimension



21X20250-XXF11X-XXX-XXX
Exterior
Define Dimension NO Fillout

Ref.

成品規格圖		APP.	ANGLES	±3°	SIZE	A4
TITLE 2.00x2.00mm Pin Header 20250 Series		CHK.	LINEAR	0.0	±0.38	NONE
PART NO 21X20250-XXXXXX-XXX-XXX-XXX				0.00±0.25	SHEET	5/5
DRW NO		DR.	KEN			
UNIT	mm(INCH)	PROJECT	96.01.04			

