

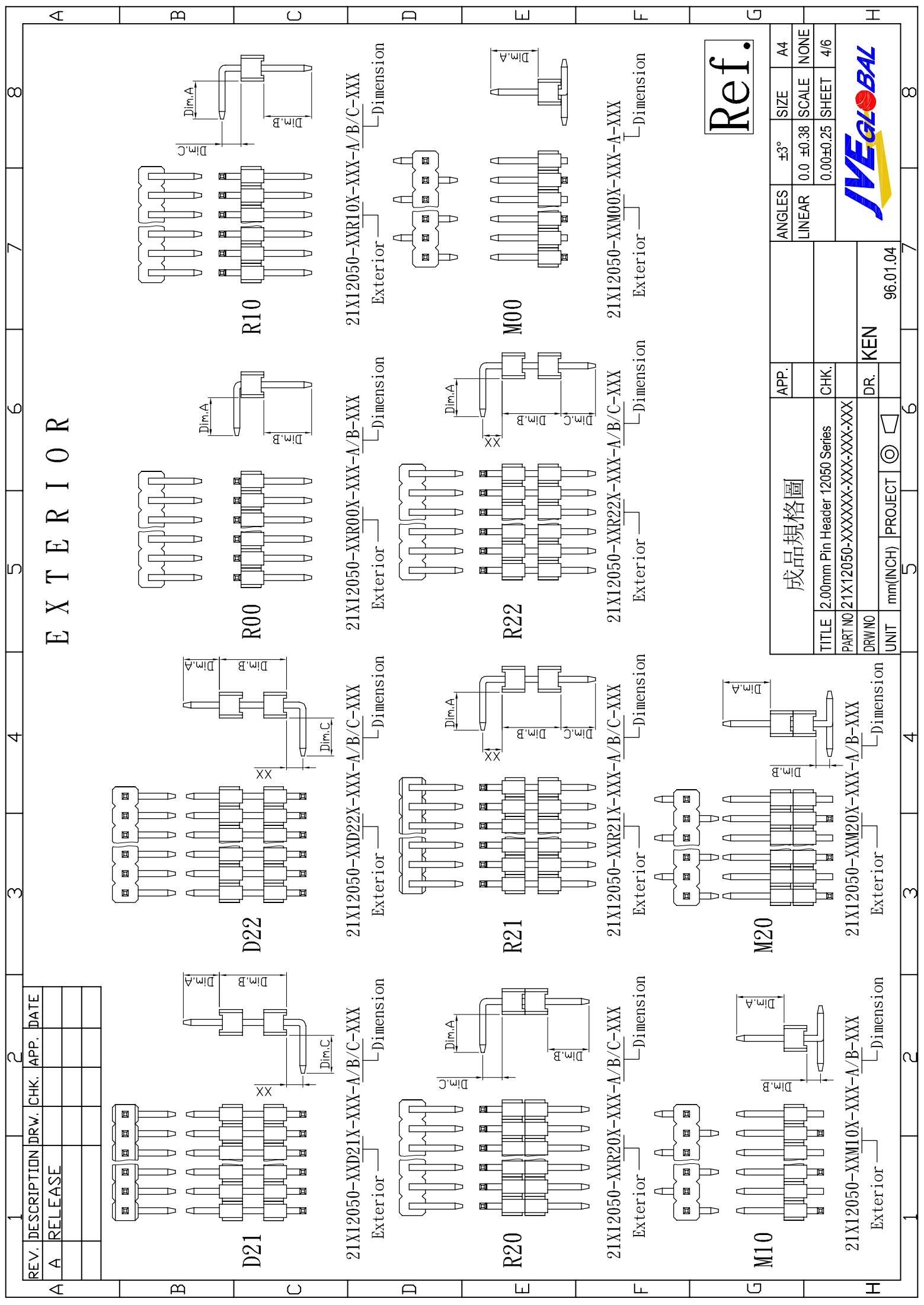
E X T E R I O R

REV.	DESCRIPTION	DRW.	CHK.	APP.	DATE
A	RELEASE				

Ref.

成品規格圖		APP.	ANGLES	±3°	SIZE	A4
TITLE 2.00mm Pin Header 12050 Series		CHK.	LINEAR	0.0	±0.38	NONE
PART NO 21X12050-XXXXXX-A/B/C-XXX				0.00	±0.25	3/6
DRW NO		DR.				
UNIT	mm(INCH)	PROJECT				





EXTERIOR

REV.	DESCRIPTION	DRW.	CHK.	APP.	DATE
A	RELEASE				

Ref.

成品規格圖		APP.	ANGLES	±3°	SIZE	A4
TITLE: 2.00mm Pin Header 12050 Series		CHK.	LINEAR	0.0	±0.38	NONE
PART NO: 21X12050-XXXXXX-XXX-XXX-XXX				0.00	±0.25	4/6
DRW NO		DR.	KEN			
UNIT	mm(INCH)	PROJECT	96.01.04			



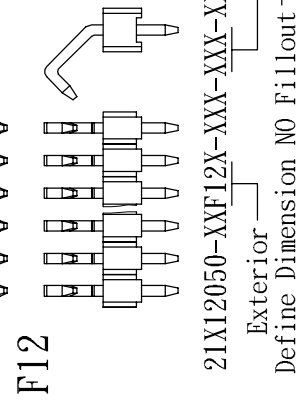
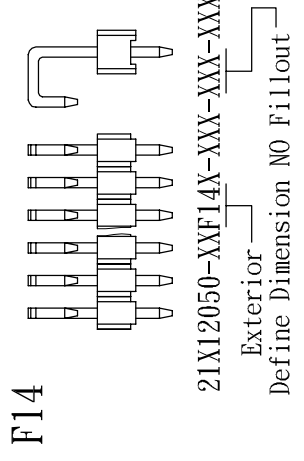
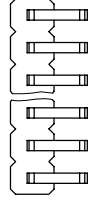
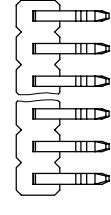
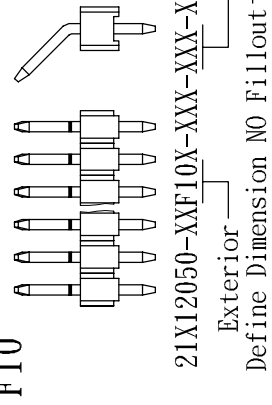
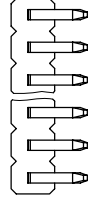
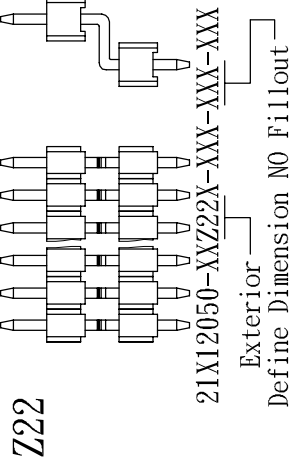
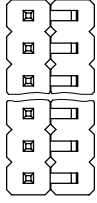
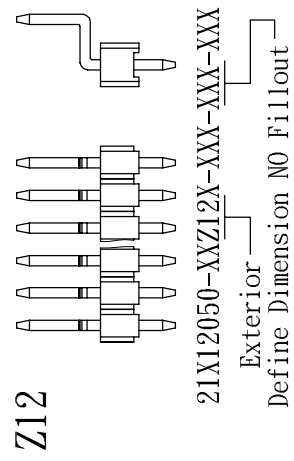
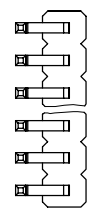
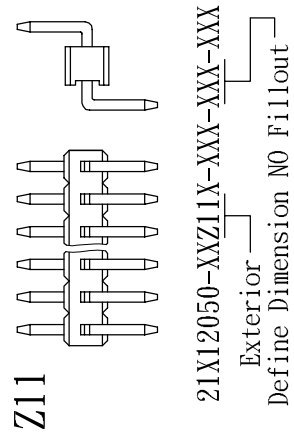
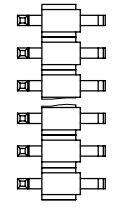
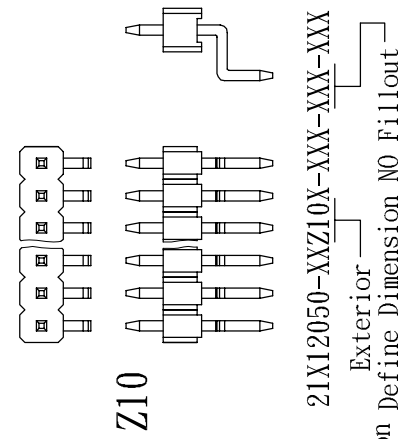
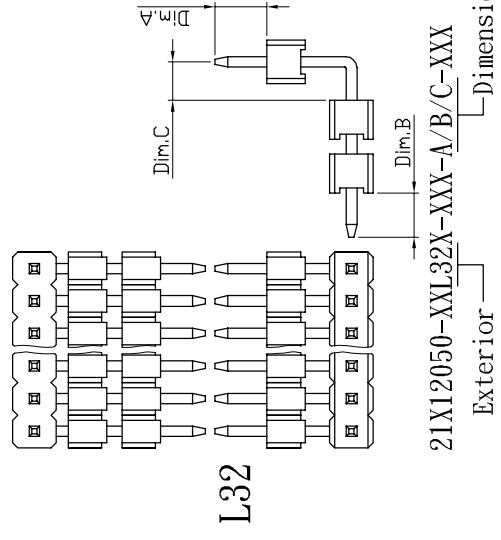
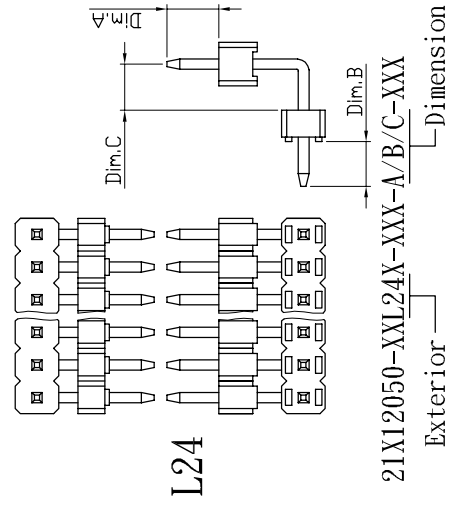
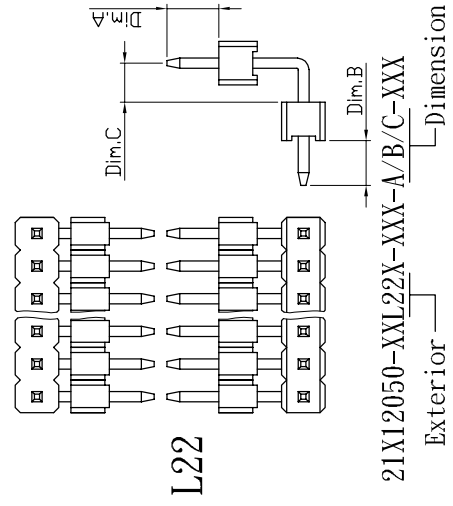
1 2 3 4 5 6 7 8

A B C D E F G H

1 2 3 4 5 6 7 8

E X T E R I O R

REV.	DESCRIPTION	DRW.	CHK.	APP.	DATE
A	RELEASE				



Ref.

成品規格圖		APP.	ANGLES	±3°	SIZE	A4
TITLE: 2.00mm Pin Header 12050 Series		CHK.	LINEAR	0.0	±0.38	NONE
PART NO: 21X12050-XXXXXX-XXX-XXX-XXX					0.00±0.25	6/6
DRW NO		DR.	KEN			
UNIT	mm(INCH)	PROJECT	96.01.04			



A B C D E F G H

1 2 3 4 5 6 7 8