

1	2	3	4	5	6	7	8
REV. DESCRIPTION	DRW. CHK.	APP.	DATE				
A	RELEASE						

SPECIFICATIONS

Current Rating:
1 Amp

Insulator resistance:
1000 Megohms Min.

Contact resistance:
25 m ohms Max.

Dielectric withstanding:
AC 500V/minute

Operating Temperature:
-40° ~ +105°C

Contact Material:
BRASS

Insulator Material:
High Temperature Thermoplastic
+Glass Fibre UL94V-0

Color: Black

Finish:
Gold, Tin or Duplex plated
Standard: Gold flash all over
Duplex plated:
Gold plated on contact area
Tin on solder area

ORDERING INFORMATION

21X11550-XXXXXX-XXX-XXX-XXX

Material: B PBT, N Nylon-6T, L LCP

Row of plastic Single Row

Plastic Height: 1.50mm

Squite & Pitch: 0.50sq x PH2.00mm

Number of Contact: 02-40

Exterior: Referenced Sheet 3/6, 4/6, 5/6, 6/6

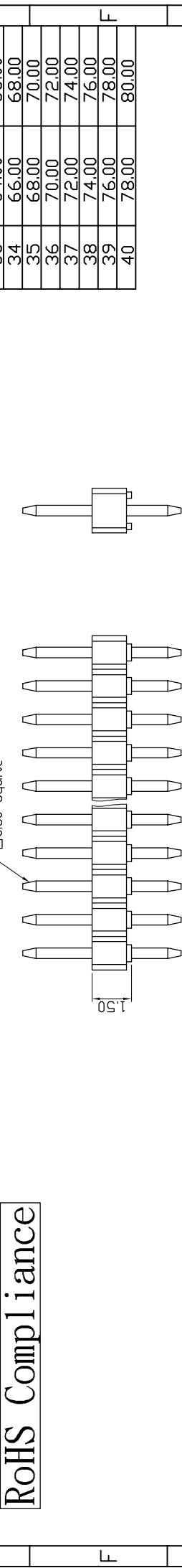
Adjunctive Code Referenced Sheet 2/6

Dimension: A, 6/3, 6/3/1.5, A/B, A/B/C

Plating Type: G Gold Plated, T Tin Plated, H Duplex Plated

Contact Plating: 01 Normal, 03 3µ", 05 5µ", 10 10µ"

Color: B Black, R Red, U Blue, ...



RoHS Compliance

示意图

Ref.

TITLE: 2.00mm Pin Header 11550 Series		APP.	ANGLES	±3°	SIZE	A4
PART NO: 21X11550-XXXXXX-XXX-XXX-XXX		CHK.	LINEAR	0.0 ±0.38	SCALE	NONE
DRW NO		DR.		0.00±0.25	SHEET	1/6
UNIT	mm(INCH)	PROJECT	◎			

KEN 96.01.04

JVEGLOBAL

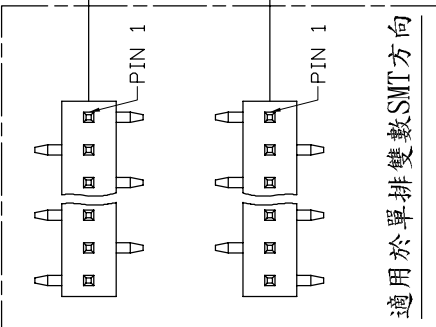
A B C D E F G H

1 2 3 4 5 6 7 8

REV.	DESCRIPTION	DRW.	CHK.	APP.	DATE
A	RELEASE				

ADJUNCTIVE CODE

21X11550-XXXXXX-XXX-XXX-ABCDEFMSXYZKVRWNHXXPX



塑膠彩色印刷

高低針

跳PIN

成品兩側打Kink

磷銅端子

紅銅端子

加 CAP

加 圓片端子

加 WAFER

加 Mini Jumper

彎角 or SMT+DIP

CUTTER

成品規格圖

TITLE	2.00mm Pin Header 11550 Series	CHK.		APP.		ANGLES	±3°	SIZE	A4
PART NO	21X11550-XXXXXX-XXX-XXX-XXX	DR.	KEN	DR.	KEN	LINEAR	0.0 ±0.38	SCALE	NONE
DRW NO		UNIT	mm(INCH)	PROJECT	◎ □ ▽		0.00±0.25	SHEET	2/6
			96.01.04						



A B C D E F G H

1 2 3 4 5 6 7 8

REV.	DESCRIPTION	DRW.	CHK.	APP.	DATE
A	RELEASE				

E X T E R I O R

S10

21X11550-XXS10X-XXX-A/B-XXX
Exterior ——— Dimension

S20

21X11550-XXS20X-XXX-A/B-XXX
Exterior ——— Dimension

S21

21X11550-XXS21X-XXX-A/B/C-XXX
Exterior ——— Dimension

S22

21X11550-XXS22X-XXX-A/B/C-XXX
Exterior ——— Dimension

S23

21X11550-XXS23X-XXX-A/B-XXX
Exterior ——— Dimension

A10

21X11550-XXA10X-XXX-A/B-XXX
Exterior ——— Dimension

J10

21X11550-XXJ10X-XXX-A-XXX
Exterior ——— Dimension

D00

21X11550-XXD00X-XXX-A/B-XXX
Exterior ——— Dimension

D10

21X11550-XXD10X-XXX-A/B/C-XXX
Exterior ——— Dimension

D20

21X11550-XXD20X-XXX-A/B/C-XXX
Exterior ——— Dimension

Ref.

成品規格圖		APP.	ANGLES	±3°	SIZE	A4
TITLE 2.00mm Pin Header 11550 Series		CHK.	LINEAR	0.0 ±0.38	SCALE	NONE
PART NO 21X11550-XXXXXX-XXX-XXX-XXX		DR.	0.00±0.25		SHEET	3/6
DRW NO	PROJECT		DR.		KEN	
UNIT	mm(INCH)	96.01.04				



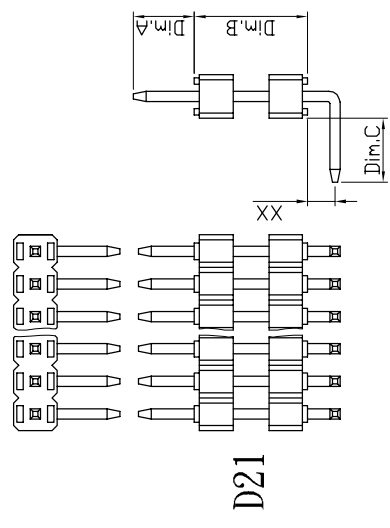
1 2 3 4 5 6 7 8

A B C D E F G H

1 2 3 4 5 6 7 8

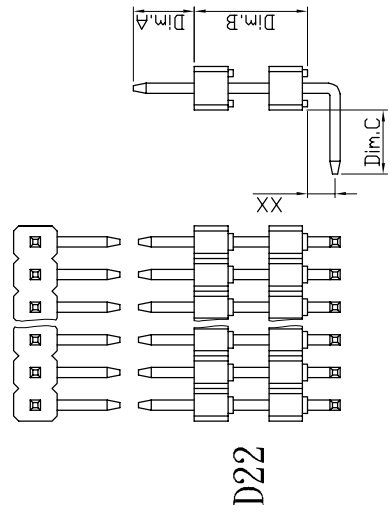
E X T E R I O R

REV.	DESCRIPTION	DRW.	CHK.	APP.	DATE
A	RELEASE				



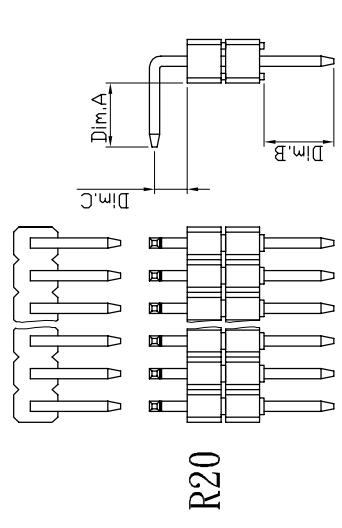
D21

21X11550-XXD21X-XXX-A/B/C-XXX
Exterior ——— Dimension



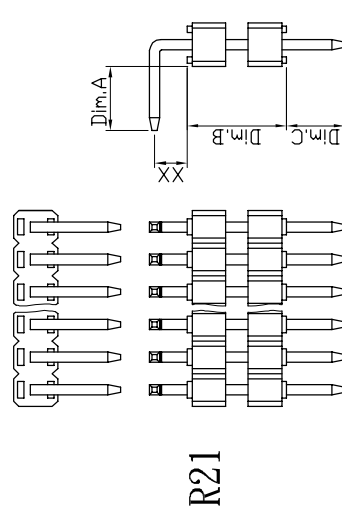
D22

21X11550-XXD22X-XXX-A/B/C-XXX
Exterior ——— Dimension



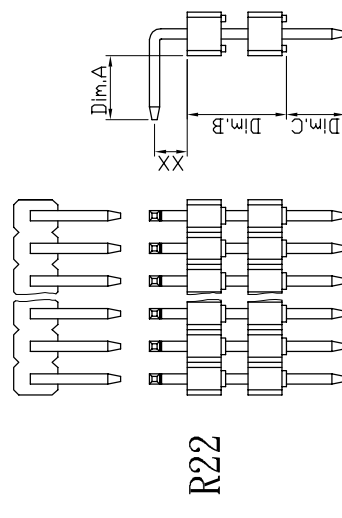
R20

21X11550-XXR20X-XXX-A/B/C-XXX
Exterior ——— Dimension



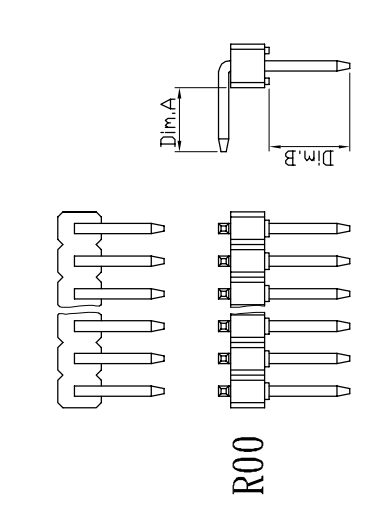
R21

21X11550-XXR21X-XXX-A/B/C-XXX
Exterior ——— Dimension



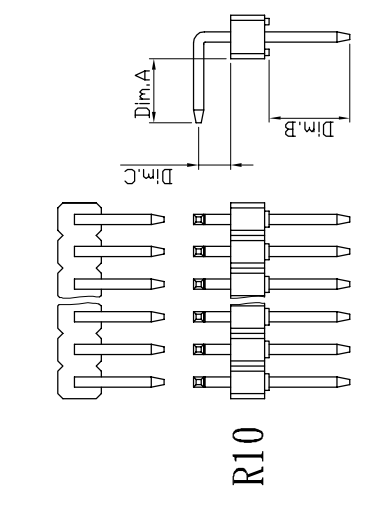
R22

21X11550-XXR22X-XXX-A/B/C-XXX
Exterior ——— Dimension



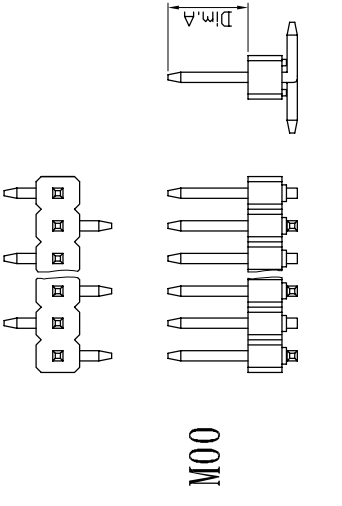
R00

21X11550-XXR00X-XXX-A/B-XXX
Exterior ——— Dimension



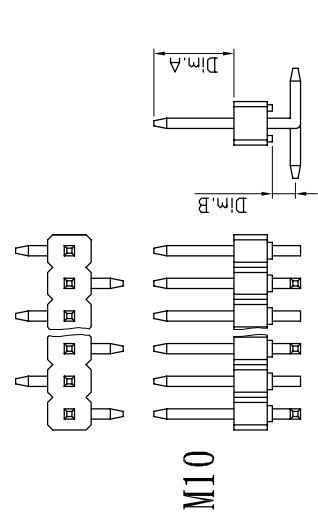
R10

21X11550-XXR10X-XXX-A/B/C-XXX
Exterior ——— Dimension



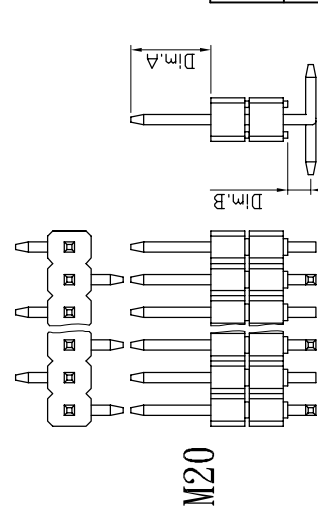
M00

21X11550-XXM00X-XXX-A-XXX
Exterior ——— Dimension



M10

21X11550-XXM10X-XXX-A/B-XXX
Exterior ——— Dimension



M20

21X11550-XXM20X-XXX-A/B-XXX
Exterior ——— Dimension

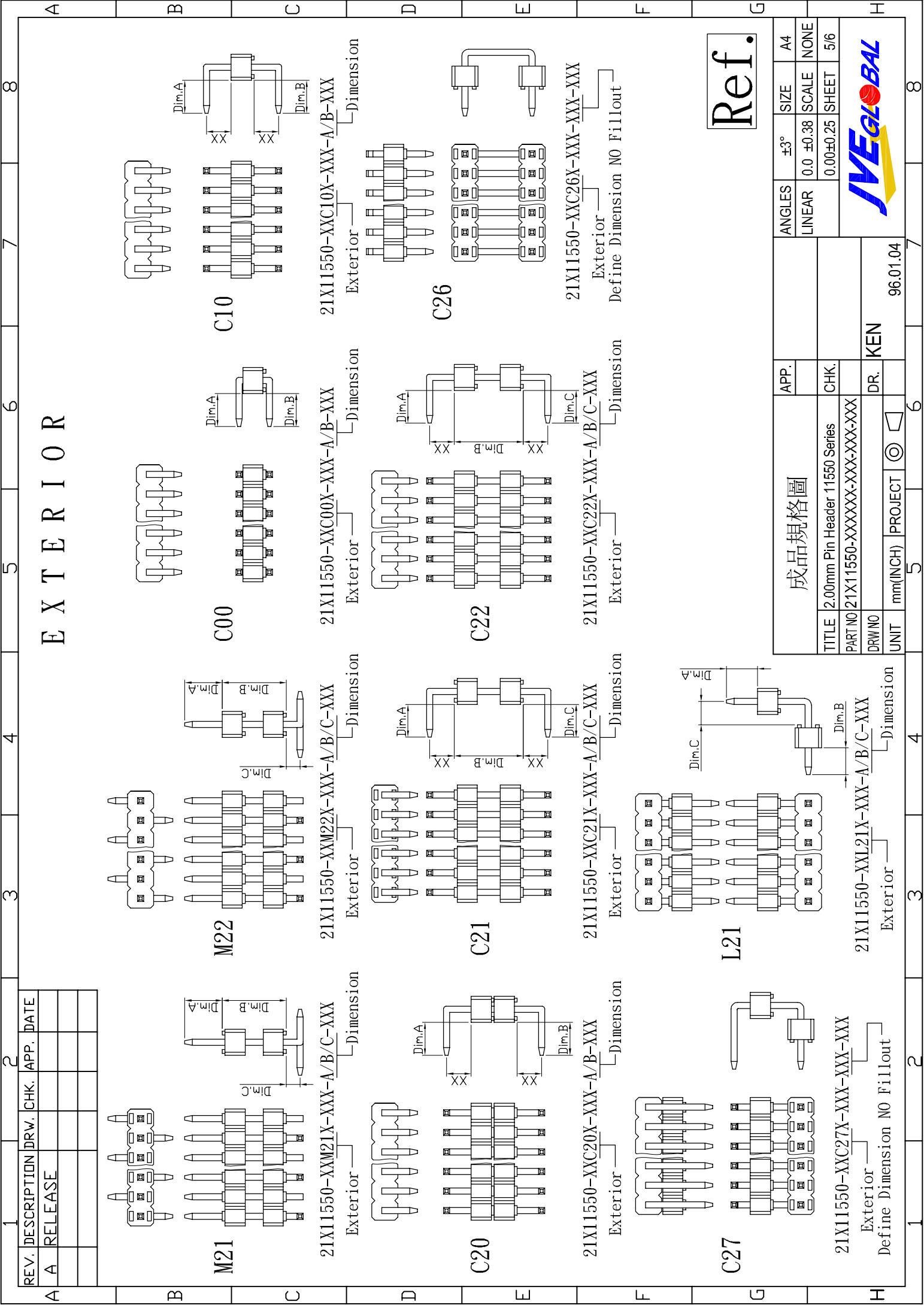
Ref.

成品規格圖		APP.	ANGLES	±3°	SIZE	A4
TITLE: 2.00mm Pin Header 11550 Series		CHK.	LINEAR	0.0 ±0.38	SCALE	NONE
PART NO: 21X11550-XXXXXX-XXX-XXX-XXX				0.00±0.25	SHEET	4/6
DRW NO		DR.				
UNIT	mm(INCH)	PROJECT				



A B C D E F G H

1 2 3 4 5 6 7 8



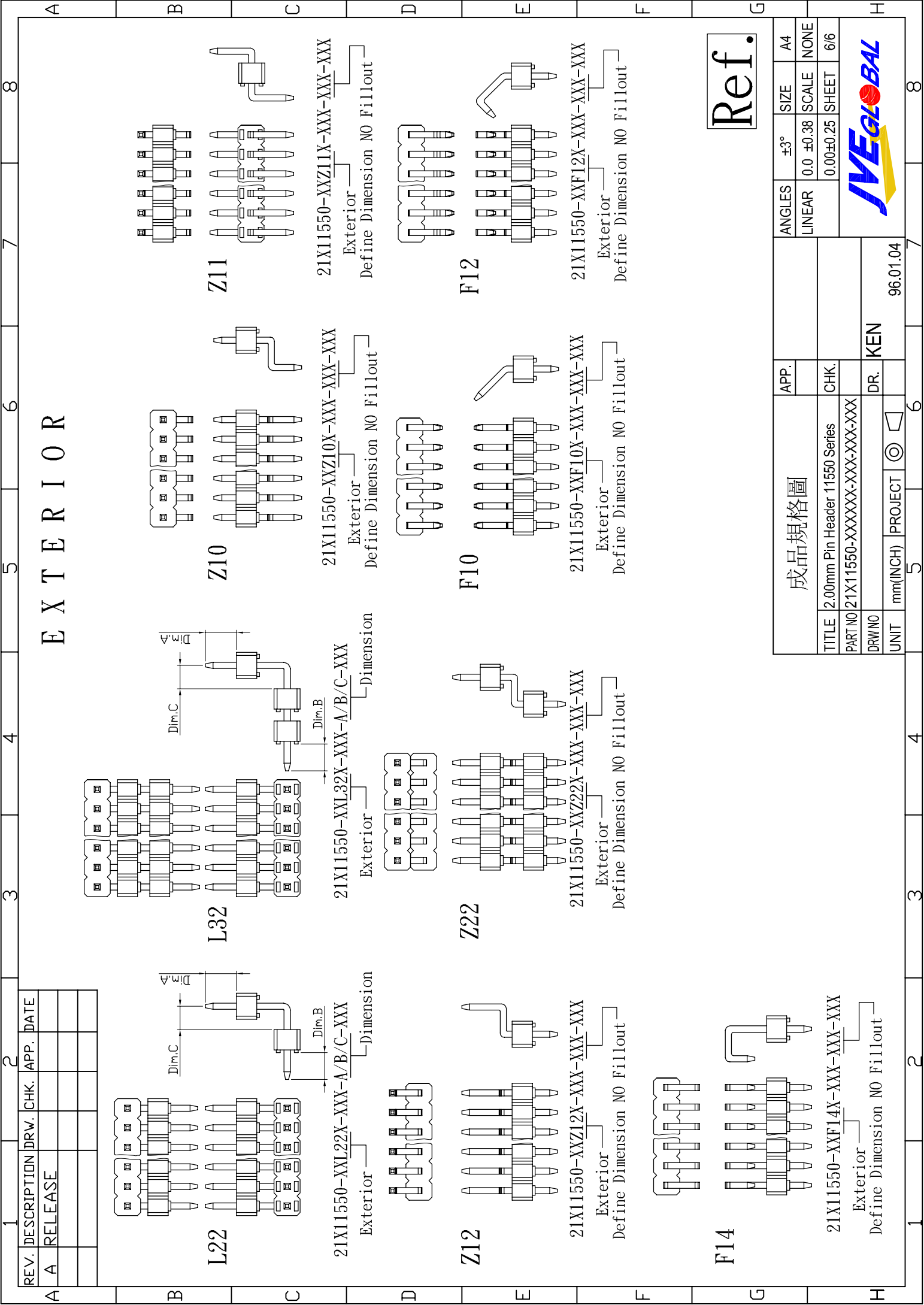
E X T E R I O R

REV.	DESCRIPTION	DRW.	CHK.	APP.	DATE
A	RELEASE				

Ref.

成品規格圖		APP.	ANGLES	±3°	SIZE	A4
TITLE 2.00mm Pin Header 11550 Series		CHK.	LINEAR	0.0 ±0.38	SCALE	NONE
PART NO 21X11550-XXXXXX-XXX-XXX-XXX						
DRW NO						
UNIT mm(INCH)		PROJECT		DR. KEN		
5		6		7		
96.01.04						





E X T E R I O R

REV.	DESCRIPTION	DRW.	CHK.	APP.	DATE
A	RELEASE				

L22

21X11550-XXL22X-XXX-A/B/C-XXX

Exterior Define Dimension NO Fillout

L32

21X11550-XXL32X-XXX-A/B/C-XXX

Exterior Define Dimension NO Fillout

Z10

21X11550-XXZ10X-XXX-XXX-XXX

Exterior Define Dimension NO Fillout

Z11

21X11550-XXZ11X-XXX-XXX-XXX

Exterior Define Dimension NO Fillout

Z12

21X11550-XXZ12X-XXX-XXX-XXX

Exterior Define Dimension NO Fillout

Z22

21X11550-XXZ22X-XXX-XXX-XXX

Exterior Define Dimension NO Fillout

F10

21X11550-XXF10X-XXX-XXX-XXX

Exterior Define Dimension NO Fillout

F12

21X11550-XXF12X-XXX-XXX-XXX

Exterior Define Dimension NO Fillout

F14

21X11550-XXF14X-XXX-XXX-XXX

Exterior Define Dimension NO Fillout

Ref.

成品規格圖		APP.		ANGLES	±3°	SIZE	A4
TITLE: 2.00mm Pin Header 11550 Series		CHK.		LINEAR	0.0 ±0.38	SCALE	NONE
PART NO: 21X11550-XXXXXX-XXX-XXX-XXX		DR.	KEN		0.00±0.25	SHEET	6/6
UNIT	mm(INCH)	PROJECT	◎				
							96.01.04

