

REV.	DESCRIPTION	DRW.	CHK.	APP.	DATE
A	RELEASE				

SPECIFICATIONS

Current Rating:
 1 Amp
 Insulator resistance:
 1000 Megohms Min.
 Contact resistance:
 20 m ohms Max.
 Dielectric withstanding:
 AC 500V/minute
 Operating Temperature:
 -40° ~ +105°C
 Contact Material:
 BRASS
 Insulator Material:
 High Temperature Thermoplastic
 +Glass Fibre UL94V-0
 Color: Black
 Finish:
 Gold, Tin or Duplex plated
 Standard: Gold flash all over
 Duplex plated:
 Gold plated on contact area
 Tin on solder area

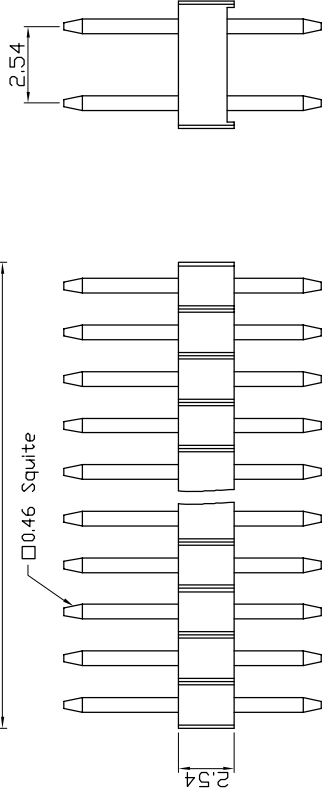
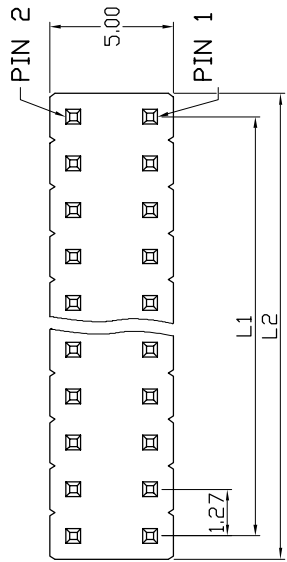
RoHS Compliance

ORDERING INFORMATION

21X22546-XXXXXX-XXX-XXX-XXX

Material: B PBT, N Nylon-6T, L LCP
 Row of plastic Double Row
 Plastic Height: 2.54mm
 Spacing & Pitch: 0.46sq x PH. 27x2.54mm
 Number of Contact: 04-100
 Exterior: Referenced Sheet 3/7, 4/7, 5/7, 6/7, 7/7

Adjunctive Code Referenced Sheet 2/7
 Dimension: 6, 6/3, 6/3/1.5
 Plating Type: G Gold Plated, T Tin Plated, H Duplex Plated
 Contact Plating: 01 Normal, 03 3µ", 05 5µ", 10 10µ"
 Color: B Black, R Red, U Blue, ...



示意图

Ref.

Cir-cuits	Dimension mm
2x2	L1
2x3	L2
2x4	1.27
2x5	2.54
2x6	3.81
2x7	5.08
2x8	6.35
2x9	7.62
2x10	8.89
2x11	10.16
2x12	11.43
2x13	12.70
2x14	13.97
2x15	15.24
2x16	16.51
2x17	17.78
2x18	19.05
2x19	20.32
2x20	21.59
2x21	22.86
2x22	24.13
2x23	25.40
2x24	26.67
2x25	27.94
2x26	29.21
2x27	30.48
2x28	31.75
2x29	33.02
2x30	34.29
2x31	35.56
2x32	36.83
2x33	38.10
2x34	39.37
2x35	40.64
2x36	41.91
2x37	43.18
2x38	44.45
2x39	45.72
2x40	46.99
2x41	48.26
2x42	49.53
2x43	50.80
2x44	52.07
2x45	53.34
2x46	54.61
2x47	55.88
2x48	57.15
2x49	58.42
2x50	59.69
	60.96
	62.23
	63.50

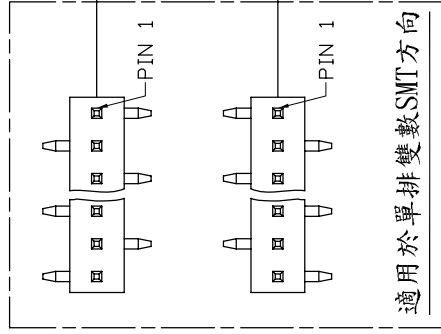
APP.	ANGLES	±3°	SIZE	A4
成品规格图	LINEAR	0.0	±0.38	NONE
TITLE: 1.27x2.54mm Pin Header 22546 Series	CHK.	0.00	±0.25	SHEET 1/7
PART NO: 21X22546-XXXXXX-XXX-XXX-XXX	DR.	KEN		
UNIT: mm(INCH)	PROJECT	96.01.04		



REV.	DESCRIPTION	DRW.	CHK.	APP.	DATE
A	RELEASE				

ADJUNCTIVE CODE

21X22546-XXXXXX-XXX-XXX-ABCDEFMSXYZKVRWNHXXPX



塑膠彩色印刷

高低針

跳PIN

成品兩側打Kink

磷銅端子

紅銅端子

加 CAP

加 圓片端子

加 WAFER

加 Mini Jumper

彎角 or SMT+DIP

CUTTER

Ref.

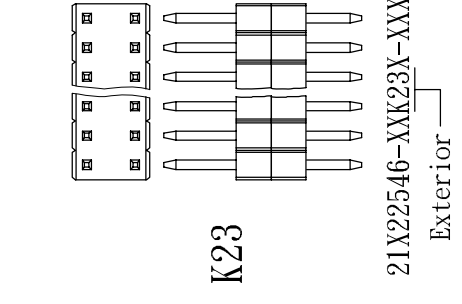
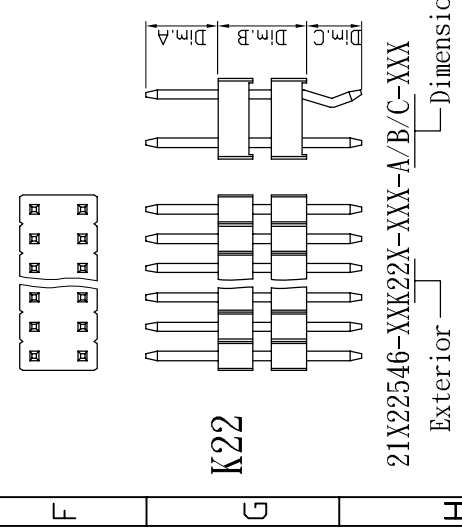
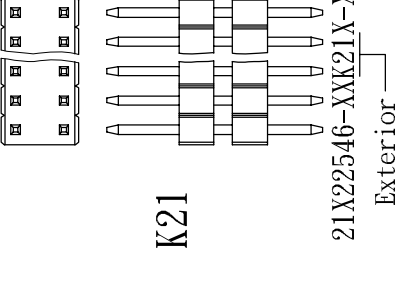
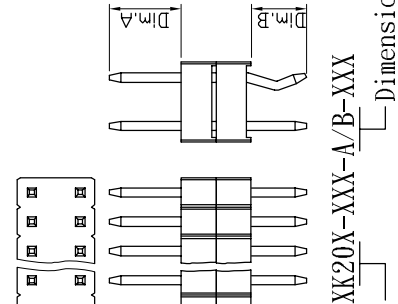
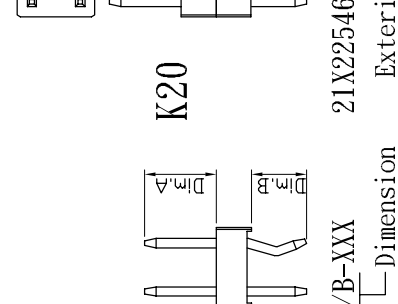
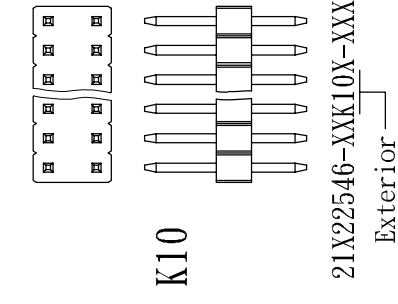
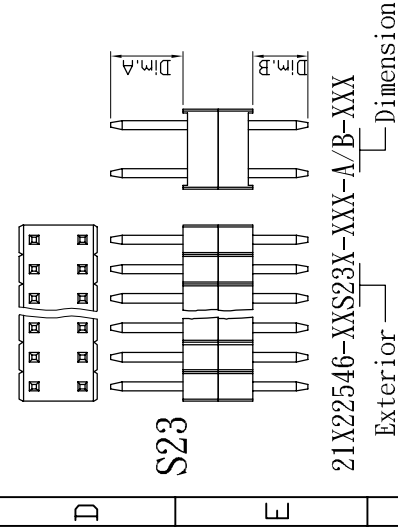
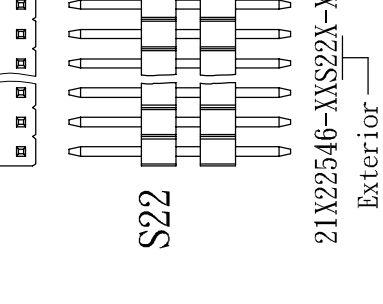
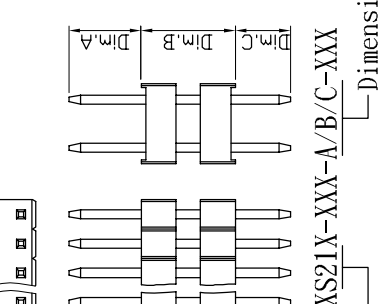
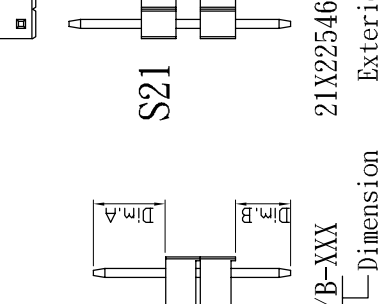
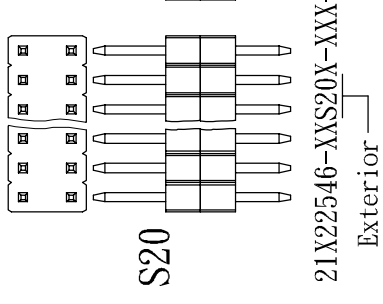
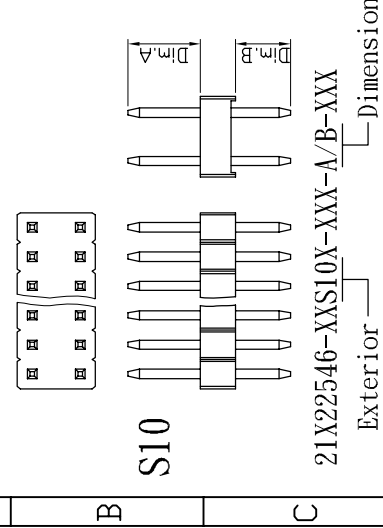
APP.		ANGLES	±3°	SIZE	A4
成品規格圖		LINEAR	0.0 ±0.38	SCALE	NONE
TITLE	1.27X2.54mm Pin Header 22546 Series	CHK.		SHEET	2/7
PART NO	21X22546-XXXXXX-XXX-XXX-XXX	DR.	KEN		
DRW NO		UNIT	mm(INCH)	PROJECT	96.01.04



1 2 3 4 5 6 7 8

EXTERIOR

REV.	DESCRIPTION	DRW.	CHK.	APP.	DATE
A	RELEASE				

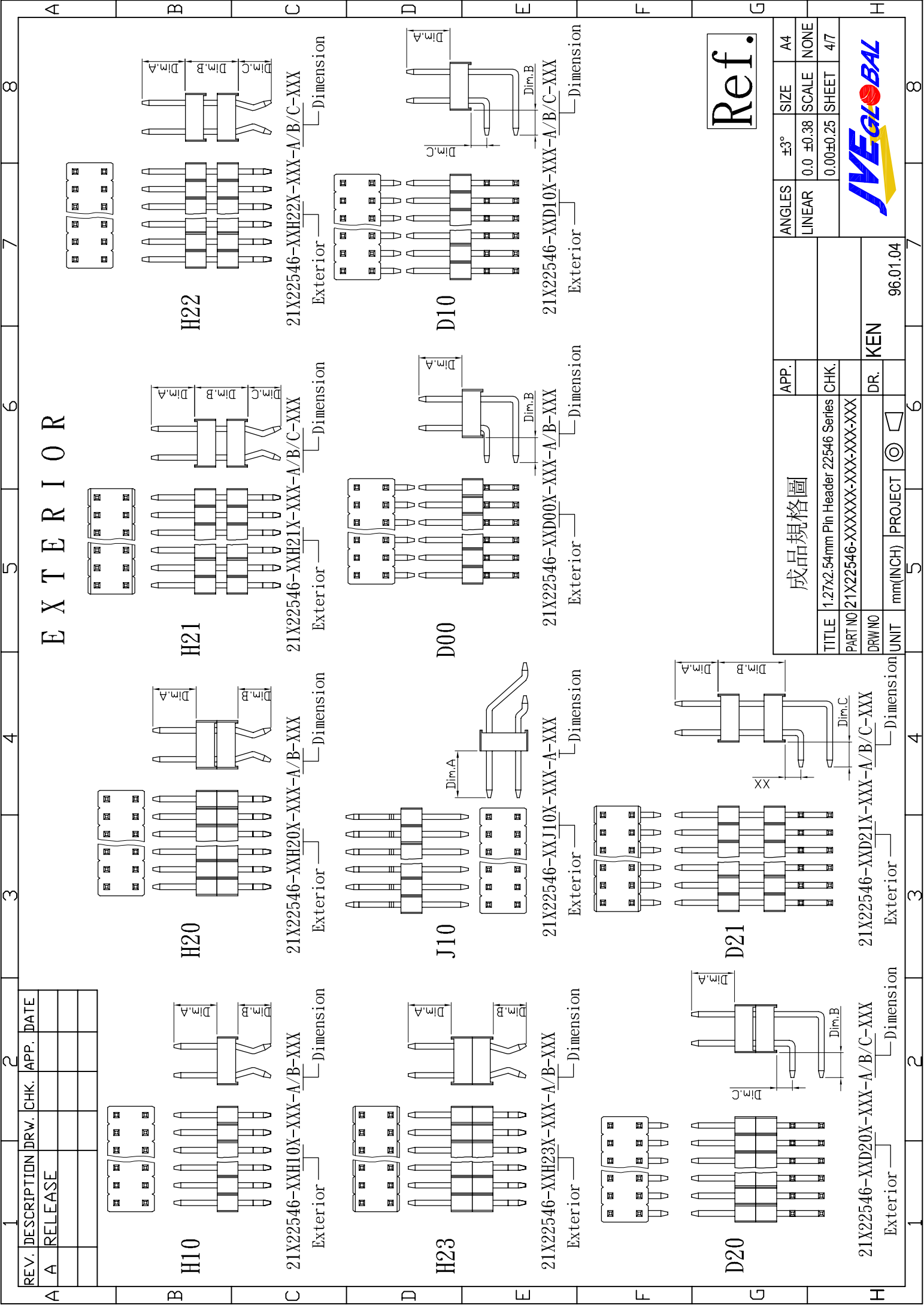


Ref.

成品規格圖		APP.	ANGLES	±3°	SIZE	A4
TITLE 1.27x2.54mm Pin Header 22546 Series		CHK.	LINEAR	0.0 ±0.38	SCALE	NONE
PART NO 21X22546-XXXXXX-XXX-XXX-XXX		DR.	0.00±0.25		SHEET	3/7
UNIT mm(INCH)		PROJECT	KEN		96.01.04	



A B C D E F G H



REV.	DESCRIPTION	DRW.	CHK.	APP.	DATE
A	RELEASE				

Ref.

成品規格圖		APP.	ANGLES	±3°	SIZE	A4
TITLE		1.27x2.54mm Pin Header 22546 Series	LINEAR	0.0 ±0.38	SCALE	NONE
PART NO		21X22546-XXXXXX-A/B/C-XXX		0.00±0.25	SHEET	4/7
DRW NO						
UNIT		mm(INCH)	PROJECT	◎	DR.	KEN
						96.01.04



1 2 3 4 5 6 7 8

REV.	DESCRIPTION	DRW.	CHK.	APP.	DATE
A	RELEASE				

EXTERIOR

D22		R00		R10		R20		M00		M10		M20		M21		M22	
21X22546-XXD22X-XXX-A/B/C-XXX	Dimension XX	21X22546-XXR00X-XXX-A/B/C-XXX	Dimension Dim.A Dim.B Dim.C	21X22546-XXR10X-XXX-A/B/C-XXX	Dimension Dim.A Dim.C	21X22546-XXR20X-XXX-A/B/C-XXX	Dimension Dim.A Dim.B	21X22546-XXM00X-XXX-A/B/C-XXX	Dimension Dim.A	21X22546-XXM10X-XXX-A/B/C-XXX	Dimension Dim.A Dim.B	21X22546-XXM20X-XXX-A/B/C-XXX	Dimension Dim.A Dim.B Dim.C	21X22546-XXM21X-XXX-A/B/C-XXX	Dimension Dim.A Dim.B Dim.C	21X22546-XXM22X-XXX-A/B/C-XXX	Dimension Dim.A Dim.B Dim.C
Exterior	Exterior	Exterior	Exterior	Exterior	Exterior	Exterior	Exterior	Exterior	Exterior	Exterior	Exterior	Exterior	Exterior	Exterior	Exterior	Exterior	Exterior

Ref.

成品規格圖		APP.	ANGLES	±3°	SIZE	A4
TITLE 1.27X2.54mm Pin Header 22546 Series		CHK.	LINEAR	0.0	±0.38	SCALE NONE
PART NO 21X22546-XXXXXX-XXX-XXX-XXX				0.00±0.25		SHEET 5/7
DRW NO		DR.	KEN			
UNIT mm(INCH)		PROJECT	96.01.04			
5		6	7			

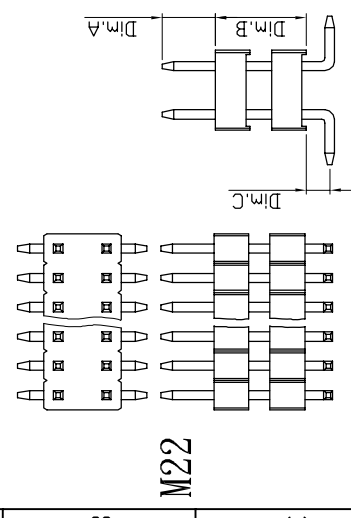


1 2 3 4 5 6 7 8

1 2 3 4 5 6 7 8 A B C D E F G H

EXTERIOR

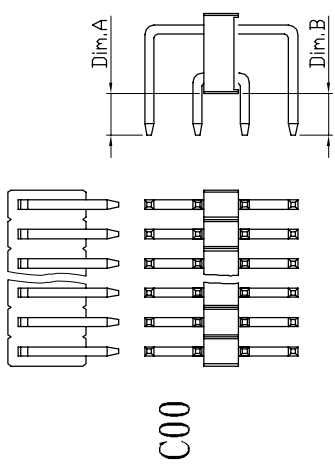
REV.	DESCRIPTION	DRW.	CHK.	APP.	DATE
A	RELEASE				



M22

21X22546-XXM22X-XXX-A/B/C-XXX

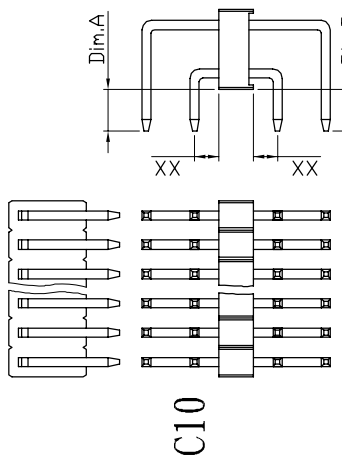
Exterior ——— Dimension



C00

21X22546-XXC00X-XXX-A/B-XXX

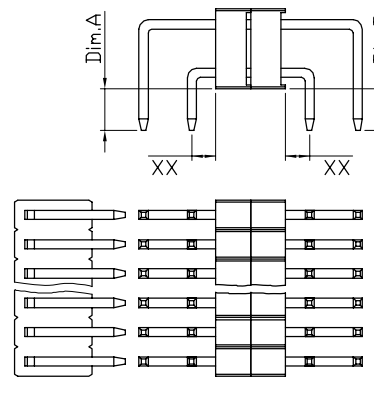
Exterior ——— Dimension



C10

21X22546-XXC10X-XXX-A/B-XXX

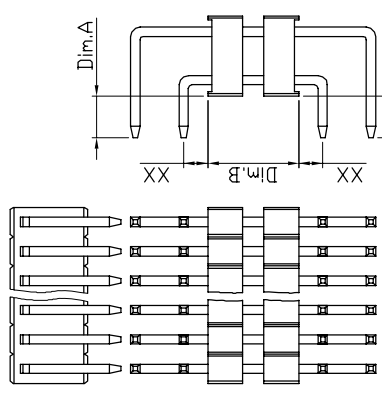
Exterior ——— Dimension



C20

21X22546-XXC20X-XXX-A/B-XXX

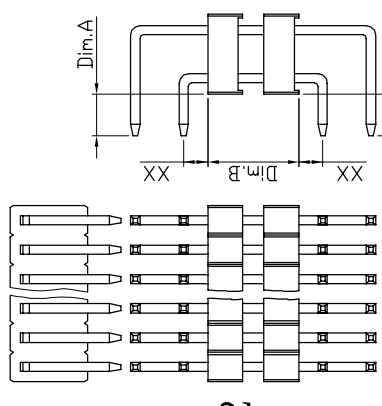
Exterior ——— Dimension



C21

21X22546-XXC21X-XXX-A/B/C-XXX

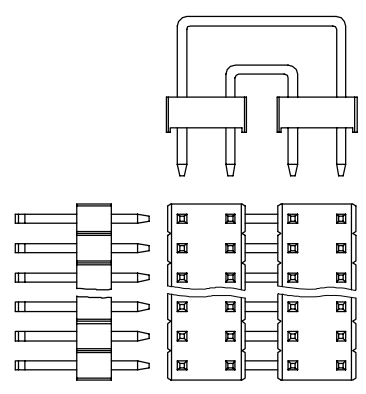
Exterior ——— Dimension



C22

21X22546-XXC22X-XXX-A/B/C-XXX

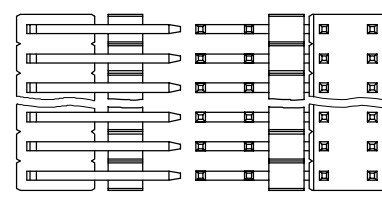
Exterior ——— Dimension



C26

21X22546-XXC26X-XXX-XXX-XXX

Exterior ——— Define Dimension NO Fillout



C27

21X22546-XXC27X-XXX-XXX-XXX

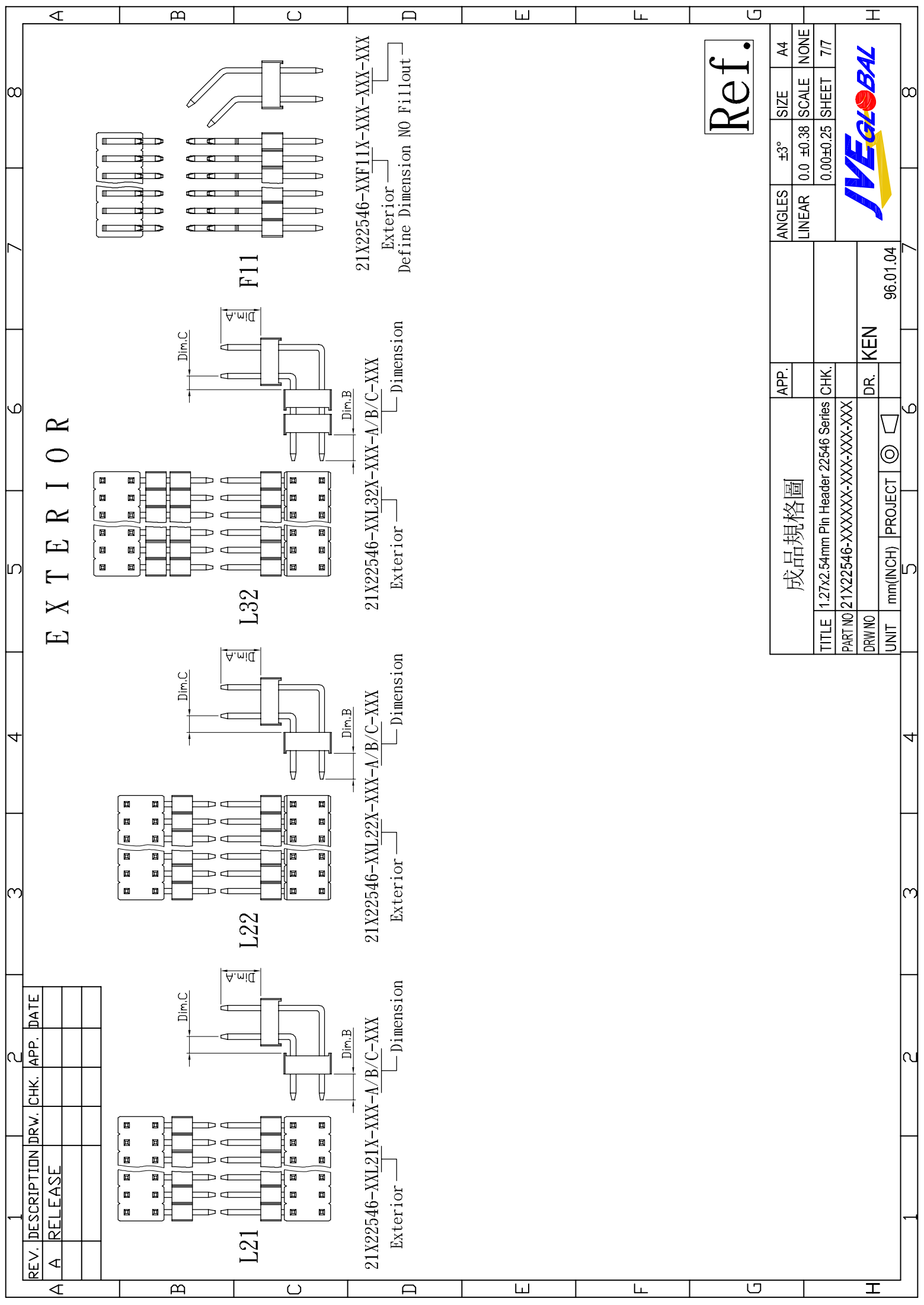
Exterior ——— Define Dimension NO Fillout

Ref.

成品規格圖		APP.	ANGLES	±3°	SIZE	A4
TITLE 1.27x2.54mm Pin Header 22546 Series		CHK.	LINEAR	0.0 ±0.38	SCALE	NONE
PART NO 21X22546-XXXXXX-XXX-XXX-XXX		DR.		0.00±0.25	SHEET	6/7
UNIT mm(INCH) PROJECT		DR.	KEN		96.01.04	

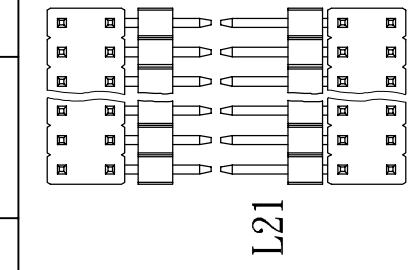


A B C D E F G H 1 2 3 4 5 6 7 8



REV.	DESCRIPTION	DRW.	CHK.	APP.	DATE
A	RELEASE				

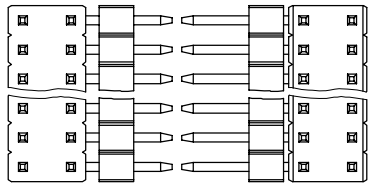
EXTERIOR



L21

21X22546-XXL21X-XXX-A/B/C-XXX

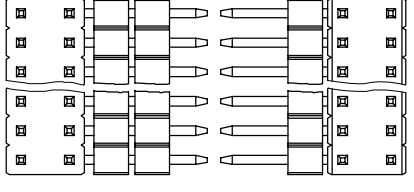
Exterior
Dimension



L22

21X22546-XXL22X-XXX-A/B/C-XXX

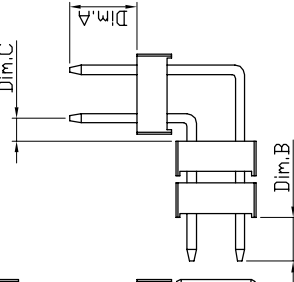
Exterior
Dimension



L32

21X22546-XXL32X-XXX-A/B/C-XXX

Exterior
Dimension



F11

21X22546-XXF11X-XXX-XXX-XXX

Exterior
Define Dimension NO Fillout

Ref.

成品規格圖		APP.	ANGLES	±3°	SIZE	A4
TITLE	1.27x2.54mm Pin Header 22546 Series	CHK.	LINEAR	0.0 ±0.38	SCALE	NONE
PART NO	21X22546-XXXXXX-XXX-XXX-XXX			0.00±0.25	SHEET	7/7
DRW NO		DR.	KEN			
UNIT	mm(INCH)	PROJECT	96.01.04			

