

REV.	DESCRIPTION	DRW.	CHK.	APP.	DATE
A	RELEASE				

SPECIFICATIONS

Current Rating:
 1 Amp
 Insulator resistance:
 1000 Megohms Min.
 Contact resistance:
 20 m ohms Max.
 Dielectric withstanding:
 AC 500V/minute
 Operating Temperature:
 -40° ~ +105°C
 Contact Material:
 BRASS
 Insulator Material:
 High Temperature Thermoplastic
 +Glass Fibre UL94V-0
 Color: Black
 Finish:
 Gold, Tin or Duplex plated
 Standard: Gold flash all over
 Duplex plated:
 Gold plated on contact area
 Tin on solder area

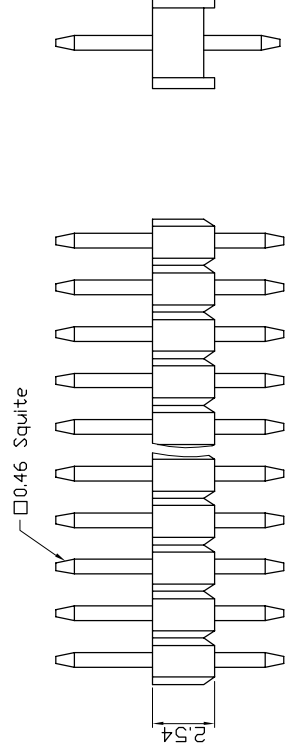
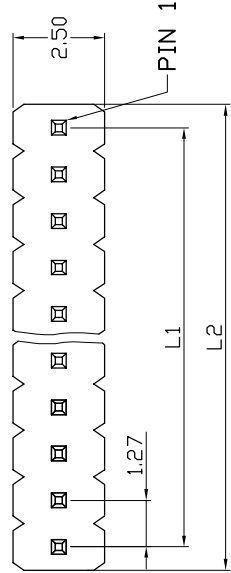
RoHS Compliance

ORDERING INFORMATION

21X12546-XXXXXX-XXX-XXX-XXX

Material
 B PBT
 N Nylon-6T
 L LCP
 Row of plastic
 Single Row
 Plastic Height
 2.54mm
 Splice & Pitch
 0.46sq x PHL. 27mm
 Number of Contact
 02-40
 Exterior
 Referenced Sheet 3/6, 4/6, 5/6, 6/6

Adjunctive Code
 Referenced Sheet 2/6
 Dimension
 6
 A
 6/3 A/B
 6/3/1.5 A/B/C
 Plating Type
 G Gold Plated
 T Tin Plated
 H Duplex Plated
 Contact Plating
 01 Normal
 03 3µ"
 05 5µ"
 10 10µ"
 Color
 B Black
 R Red
 U Blue
 : :
 : :



示意圖

Ref.

Circuits	Dimension mm
2	L1
3	L2
4	1.27
5	2.54
6	3.81
7	5.08
8	6.35
9	7.62
10	8.89
11	10.16
12	11.43
13	12.70
14	13.97
15	15.24
16	16.51
17	17.78
18	19.05
19	20.32
20	21.59
21	22.86
22	24.13
23	25.40
24	26.67
25	27.94
26	29.21
27	30.48
28	31.75
29	33.02
30	34.29
31	35.56
32	36.83
33	38.10
34	39.37
35	40.64
36	41.91
37	43.18
38	44.45
39	45.72
40	46.99
	48.26
	49.53
	50.80

APP.	ANGLES	±3°	SIZE
成品規格圖	LINEAR	0.0 ±0.38	A4
TITLE 1.27mm Pin Header 12546 Series	CHK.	0.00±0.25	NONE
PART NO 21X12546-XXXXXX-XXX-XXX-XXX	DR.		1/6
DRW NO	PROJECT		
UNIT mm(INCH)	96.01.04		



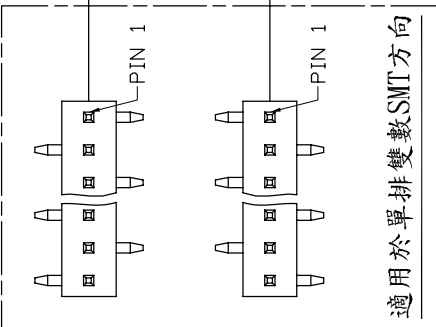
A B C D E F G H

1 2 3 4 5 6 7 8

REV.	DESCRIPTION	DRW.	CHK.	APP.	DATE
A	RELEASE				

ADJUNCTIVE CODE

21X12546-XXXXXX-XXX-XXX- A B C E F M S X Y Z K VRWN HXX PX



塑膠彩色印刷

高低針

跳PIN

成品兩側打Kink

磷銅端子

紅銅端子

加 CAP

加 圓片端子

加 WAFER

加 Mini Jumper

彎角 or SMT+DIP

CUTTER

成品規格圖		APP.	ANGLES	±3°	SIZE	A4
TITLE	1.27mm Pin Header 12546 Series	CHK.	LINEAR	0.0 ±0.38	SCALE	NONE
PART NO	21X12546-XXXXXX-XXX-XXX-XXX			0.00±0.25	SHEET	2/6
DRW NO		DR.	KEN			
UNIT	mm(INCH)	PROJECT	96.01.04			



A B C D E F G H

1 2 3 4 5 6 7 8

1 2 3 4 5 6 7 8

EXTERIOR

REV.	DESCRIPTION	DRW.	CHK.	APP.	DATE
A	RELEASE				

S10

21X12546-XXS10X-XXX-A/B-XXX
Exterior

S20

21X12546-XXS20X-XXX-A/B-XXX
Exterior

S21

21X12546-XXS21X-XXX-A/B/C-XXX
Exterior

S22

21X12546-XXS22X-XXX-A/B/C-XXX
Exterior

S23

21X12546-XXS23X-XXX-A/B-XXX
Exterior

A10

21X12546-XXA10X-XXX-A/B-XXX
Exterior

J10

21X12546-XXJ10X-XXX-A-XXX
Exterior

D00

21X12546-XXD00X-XXX-A/B-XXX
Exterior

D10

21X12546-XXD10X-XXX-A/B/C-XXX
Exterior

D20

21X12546-XXD20X-XXX-A/B/C-XXX
Exterior

Ref.

成品規格圖		APP.	ANGLES	±3°	SIZE	A4
TITLE	1.27mm Pin Header 12546 Series	CHK.	LINEAR	0.0	±0.38	NONE
PART NO	21X12546-XXXXXX-XXX-XXX-XXX			0.00	±0.25	3/6
DRW NO		DR.	KEN			
UNIT	mm(INCH)	PROJECT	96.01.04			



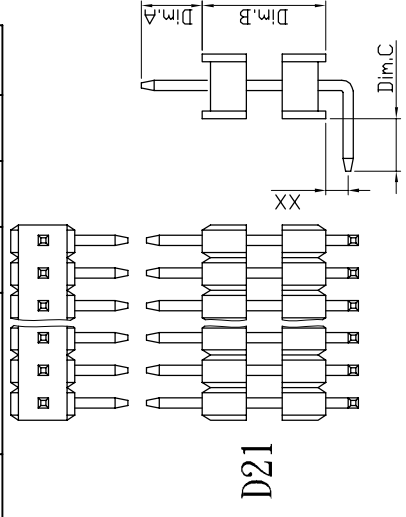
A B C D E F G H

1 2 3 4 5 6 7 8

8 7 6 5 4 3 2 1

E X T E R I O R

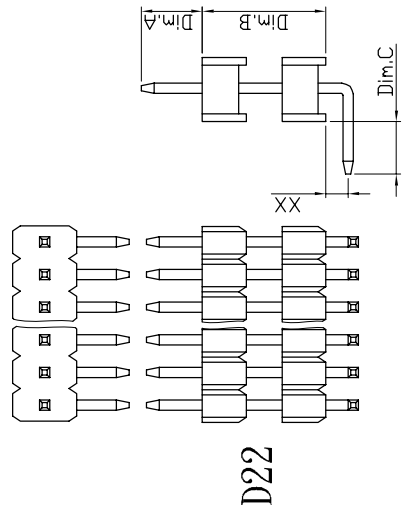
REV.	DESCRIPTION	DRW.	CHK.	APP.	DATE
A	RELEASE				



D21

21X12546-XXD21X-XXX-A/B/C-XXX

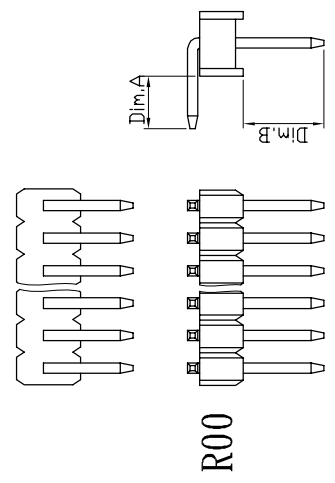
Exterior ——— Dimension



D22

21X12546-XXD22X-XXX-A/B/C-XXX

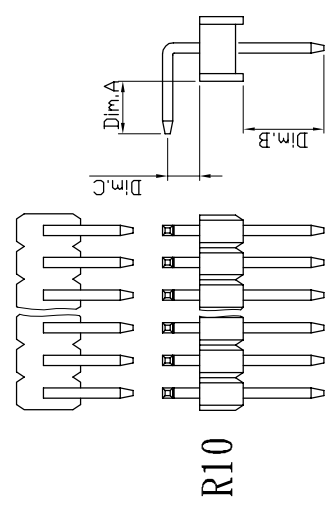
Exterior ——— Dimension



R00

21X12546-XXR00X-XXX-A/B-XXX

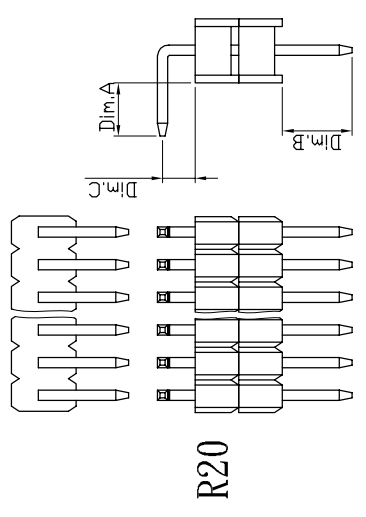
Exterior ——— Dimension



R10

21X12546-XXR10X-XXX-A/B/C-XXX

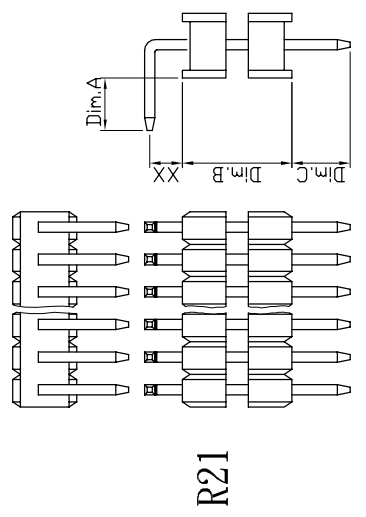
Exterior ——— Dimension



R20

21X12546-XXR20X-XXX-A/B/C-XXX

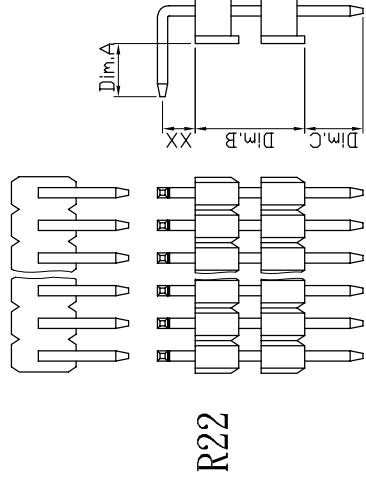
Exterior ——— Dimension



R21

21X12546-XXR21X-XXX-A/B/C-XXX

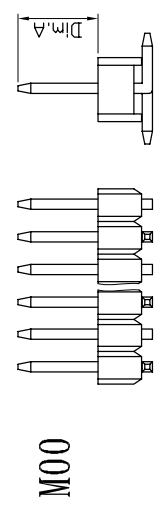
Exterior ——— Dimension



R22

21X12546-XXR22X-XXX-A/B/C-XXX

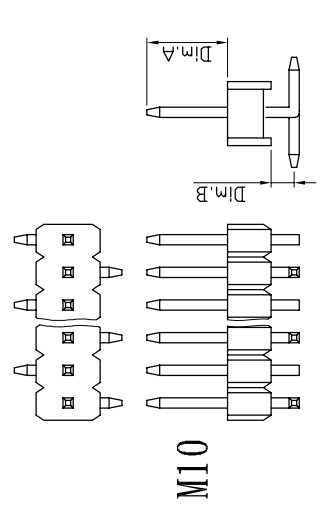
Exterior ——— Dimension



M00

21X12546-XXM00X-XXX-A-XXX

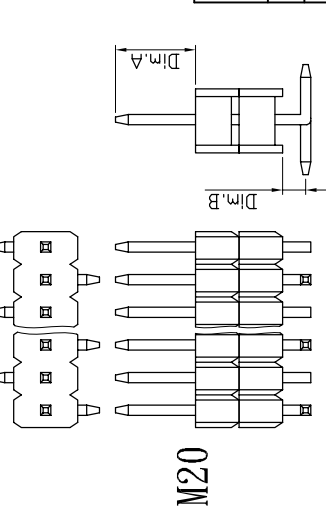
Exterior ——— Dimension



M10

21X12546-XXM10X-XXX-A/B-XXX

Exterior ——— Dimension



M20

21X12546-XXM20X-XXX-A/B-XXX

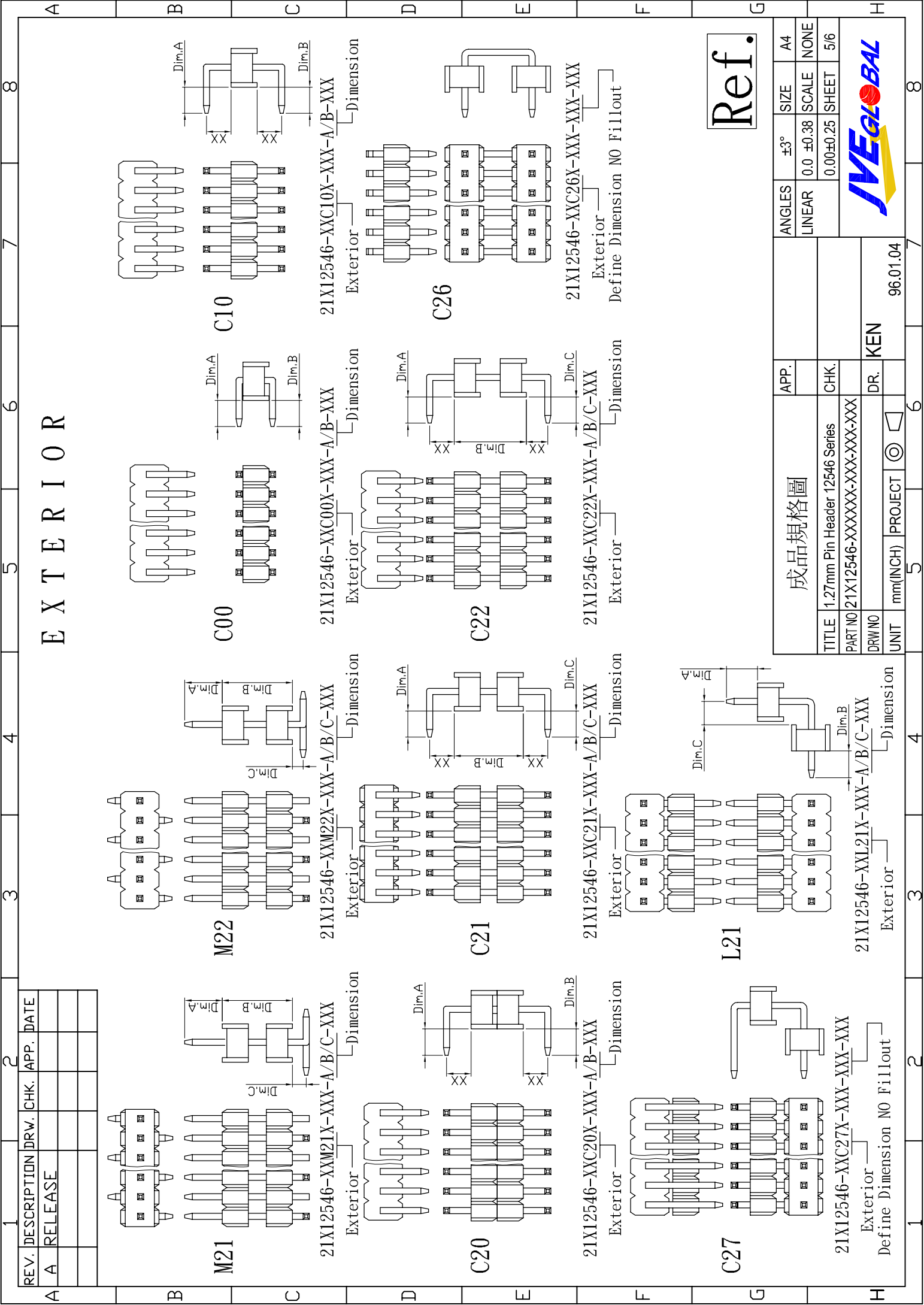
Exterior ——— Dimension

Ref.

成品規格圖		APP.	ANGLES	±3°	SIZE	A4
		CHK.	LINEAR	0.0 ±0.38	SCALE	NONE
TITLE		1.27mm Pin Header 12546 Series		PART NO		21X12546-XXXXXX-XXX-XXX-XXX
DRW NO		DR.		UNIT		mm(INCH)
PROJECT		KEN		96.01.04		8



A B C D E F G H



E X T E R I O R

REV.	DESCRIPTION	DRW.	CHK.	APP.	DATE
A	RELEASE				

Ref.

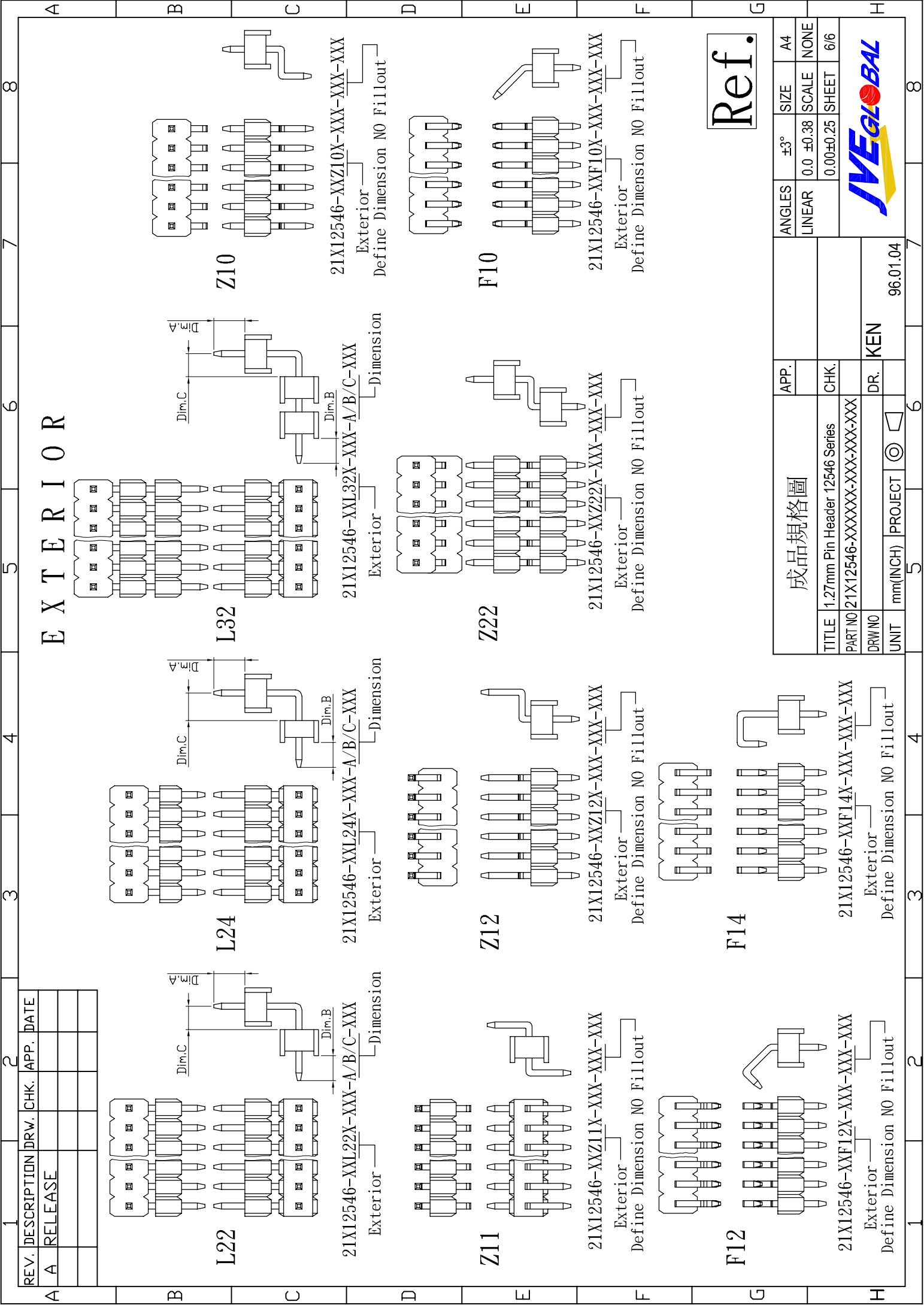
成品規格圖		APP.		
TITLE	1.27mm Pin Header 12546 Series	CHK.		
PART NO	21X12546-XXXXXX-XXX-XXX-XXX	DR.	KEN	
UNIT	mm(INCH)	PROJECT	◎	
96.01.04	5	6	7	8



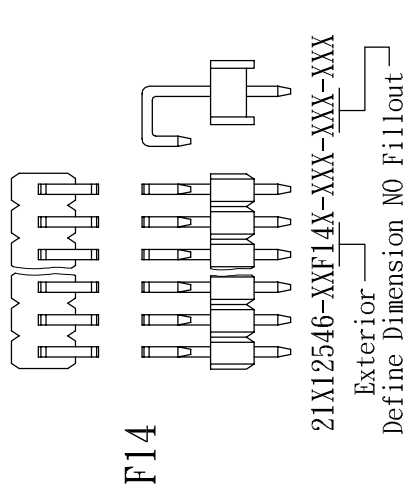
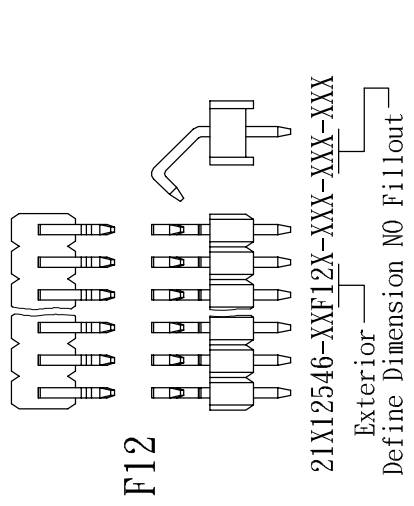
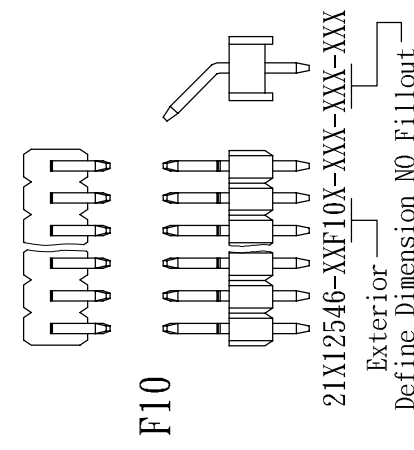
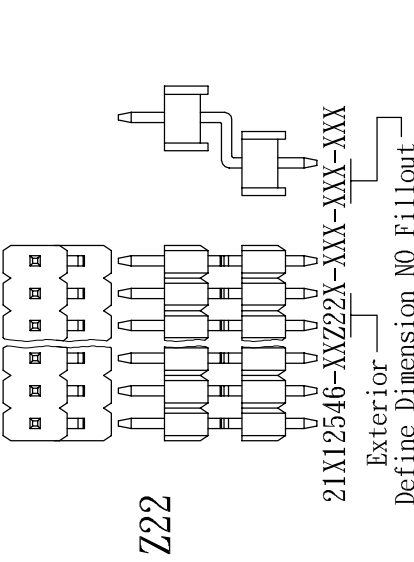
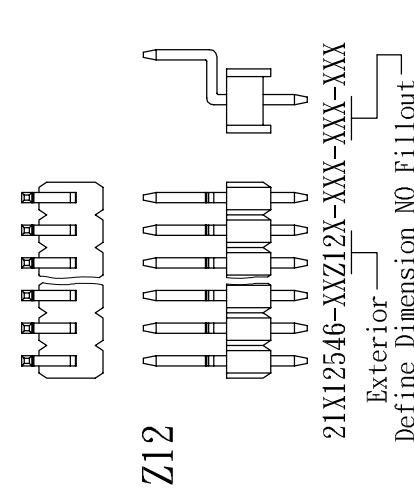
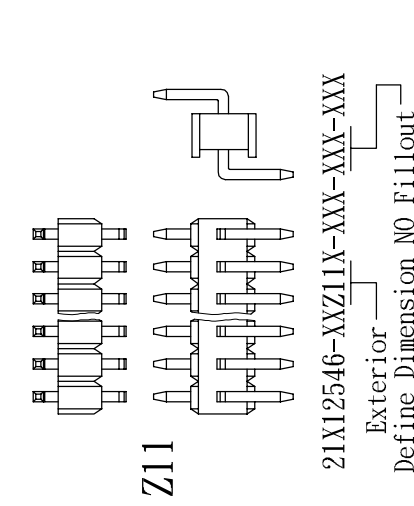
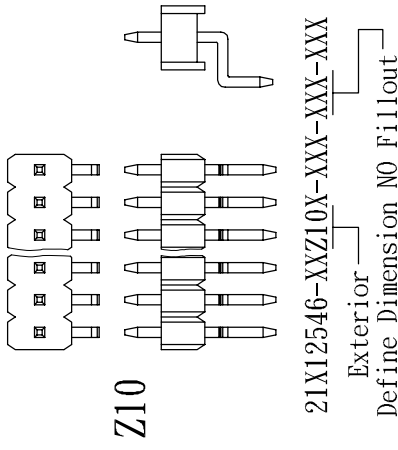
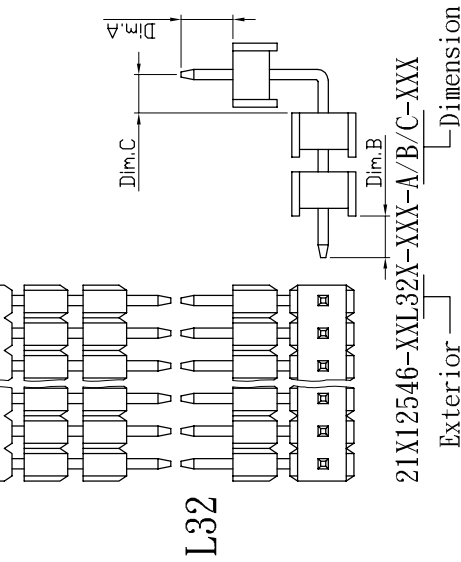
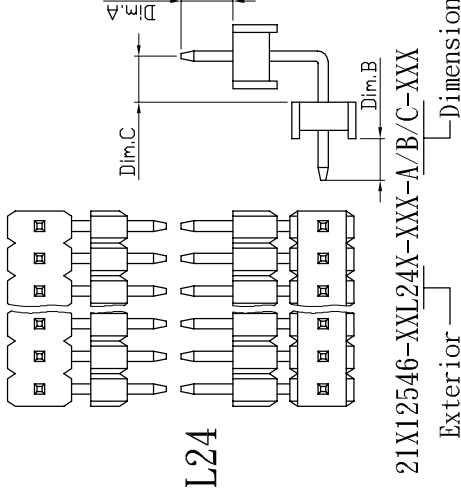
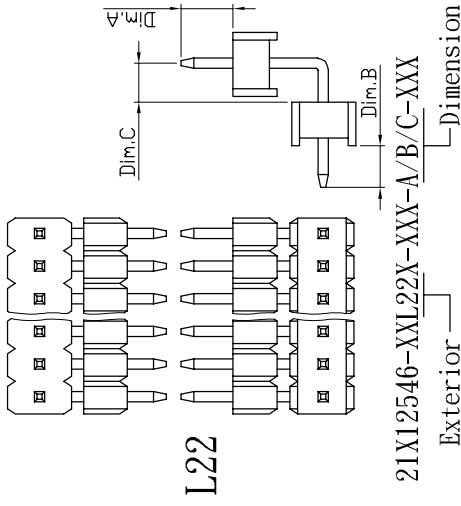
ANGLES	±3°	SIZE	A4
LINEAR	0.0 ±0.38	SCALE	NONE
	0.00±0.25	SHEET	5/6

1 2 3 4 5 6 7 8

A B C D E F G H



REV.	DESCRIPTION	DRW.	CHK.	APP.	DATE
A	RELEASE				



Ref.

成品規格圖		APP.	ANGLES	±3°	SIZE	A4
TITLE 1.27mm Pin Header 12546 Series		CHK.	LINEAR	0.0	±0.38	NONE
PART NO 21X12546-XXXXXX-XXX-XXX-XXX				0.00±0.25	SHEET	6/6
DRW NO		DR.	KEN			
UNIT	mm(INCH)	PROJECT	96.01.04			



1 2 3 4 5 6 7 8

A B C D E F G H