

REV.	DESCRIPTION	DRW.	CHK.	APP.	DATE
A	RELEASE				

SPECIFICATIONS

Current Rating:
1 Amp

Insulator resistance:
1000 Megohms Min.

Contact resistance:
20 m ohms Max.

Dielectric withstanding:
AC 500V/minute

Operating Temperature:
-40° ~ +105°C

Contact Material:
BRASS

Insulator Material:
High Temperature Thermoplastic
+Glass Fibre UL94V-0

Color: Black

Finish:
Gold, Tin or Duplex plated
Standard: Gold flash all over
Duplex plated:
Gold plated on contact area
Tin on solder area

RoHS Compliance

ORDERING INFORMATION

21X22540-XXXXXX-XXX-XXX-XXX

Material: B PBT, N Nylon-6T, L LCP

Row of plastic Double Row

Plastic Height: 2.50mm

Squite & Pitch: 0.40sq x PH. 27x1.27mm

Number of Contact: 04-80

Exterior: Referenced Sheet 3/5, 4/5, 5/5

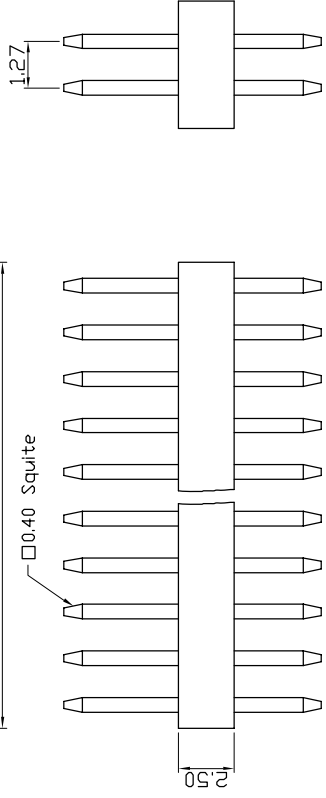
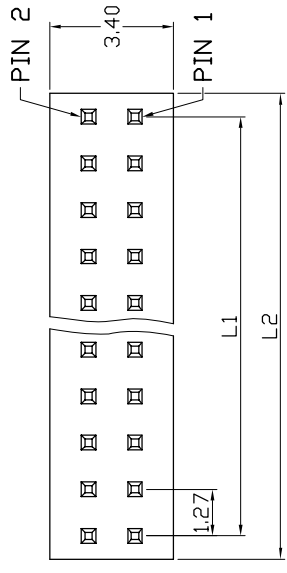
Adjunctive Code Referenced Sheet 2/5

Dimension: 6, 6/3, 6/3/1.5

Plating Type: G Gold Plated, T Tin Plated, H Duplex Plated

Contact Plating: 01 Normal, 03 3μ", 05 5μ", 10 10μ"

Color: B Black, R Red, U Blue, ...



示意圖

Ref.

Circuits	Dimension mm
L1	L2
2x2	1.27
2x3	2.54
2x4	3.81
2x5	5.08
2x6	6.35
2x7	7.62
2x8	8.89
2x9	10.16
2x10	11.43
2x11	12.70
2x12	13.97
2x13	15.24
2x14	16.51
2x15	17.78
2x16	19.05
2x17	20.32
2x18	21.59
2x19	22.86
2x20	24.13
2x21	25.40
2x22	26.67
2x23	27.94
2x24	29.21
2x25	30.48
2x26	31.75
2x27	33.02
2x28	34.29
2x29	35.56
2x30	36.83
2x31	38.10
2x32	39.37
2x33	40.64
2x34	41.91
2x35	43.18
2x36	44.45
2x37	45.72
2x38	46.99
2x39	48.26
2x40	49.53
2x40	50.80

成品規格圖		APP.
TITLE	1.27x1.27mm Pin Header 22540 Series	CHK.
PART NO	21X22540-XXXXXX-XXX-XXX-XXX	
DRW NO		DR.
UNIT	mm(INCH)	PROJECT
		96.01.04



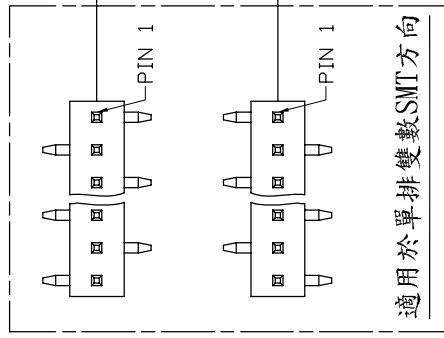
A B C D E F G H

1 2 3 4 5 6 7 8

REV.	DESCRIPTION	DRW.	CHK.	APP.	DATE
A	RELEASE				

ADJUNCTIVE CODE

21X22540-XXXXXX-XXX-XXX-ABCDEFMSXYZKVRWNHXXPX



塑膠彩色印刷

高低針

跳PIN

成品兩側打Kink

磷銅端子

紅銅端子

加 CAP

加 圓片端子

加 WAFER

加 Mini Jumper

彎角 or SMT+DIP

CUTTER

成品規格圖

TITLE	1.27x1.27mm Pin Header 22540 Series	CHK.	
PART NO	21X22540-XXXXXX-XXX-XXX-XXX	DR.	KEN
UNIT	mm(INCH)	PROJECT	96.01.04
APP.		ANGLES	±3°
		LINEAR	0.0 ±0.38
		SCALE	NONE
		SHEET	2/5

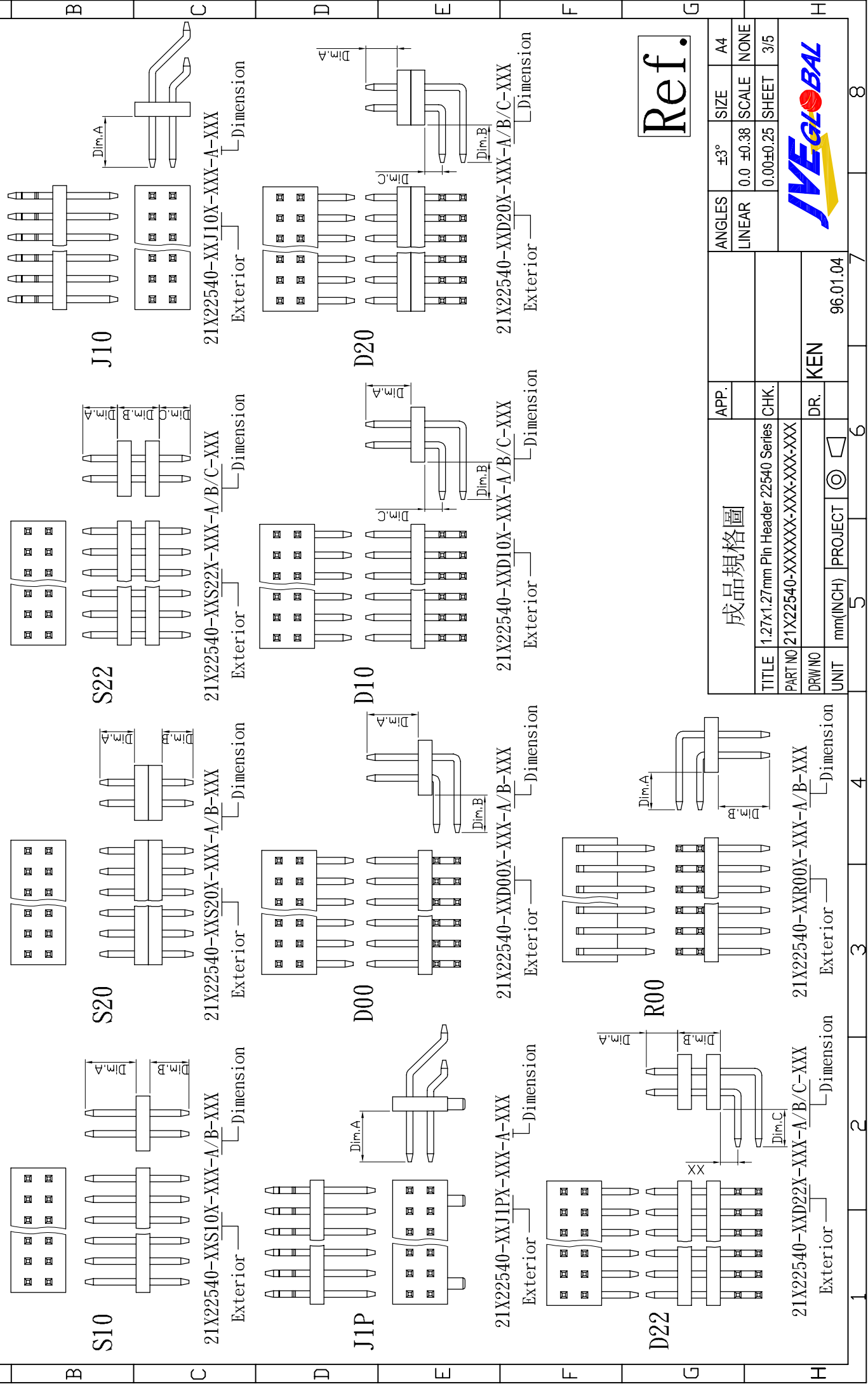


A B C D E F G H

1 2 3 4 5 6 7 8

REV.	DESCRIPTION	DRW.	CHK.	APP.	DATE
A	RELEASE				

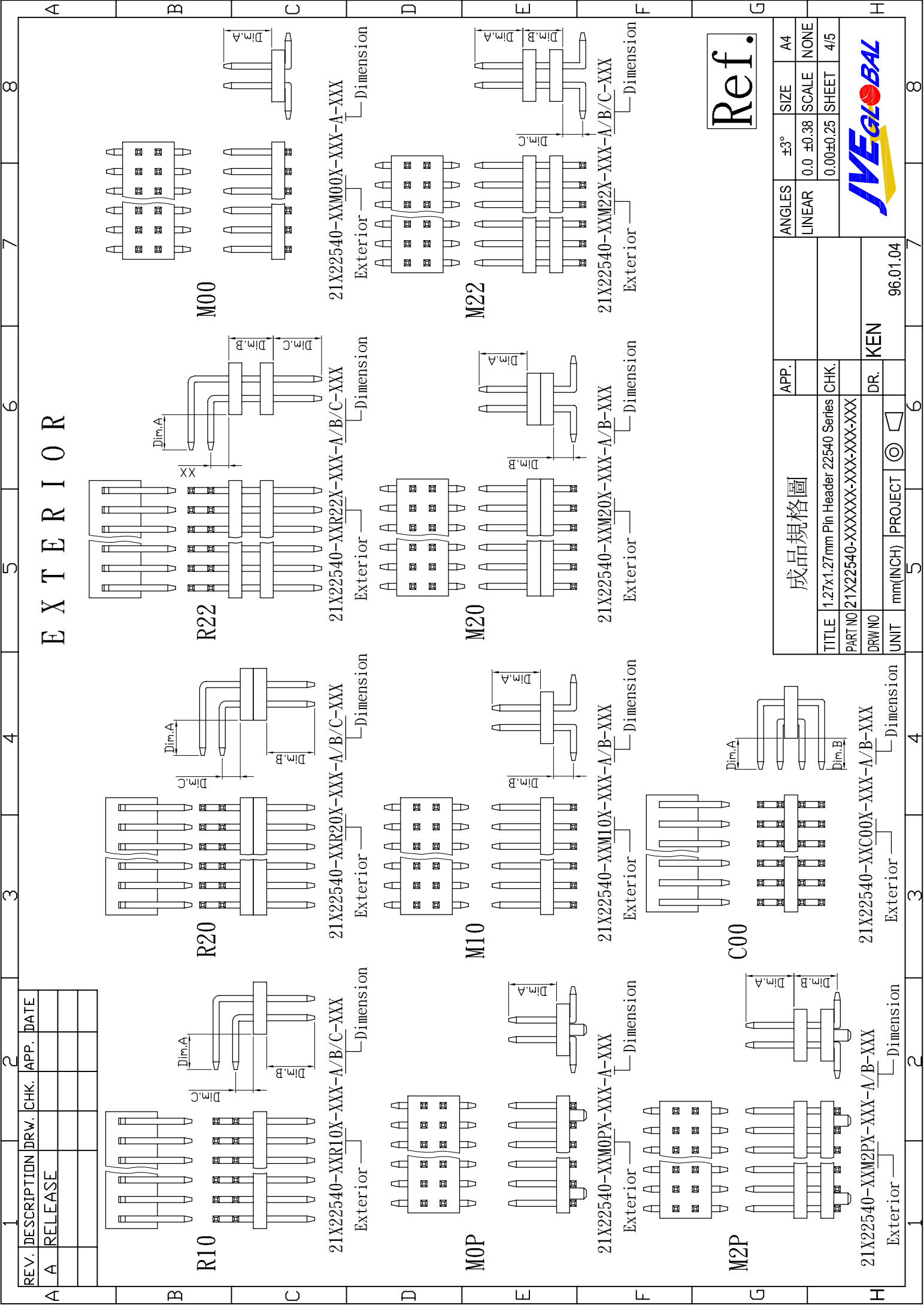
E X T E R I O R



Ref.

成品規格圖		APP.	ANGLES	±3°	SIZE	A4	
1.27x1.27mm Pin Header 22540 Series		CHK.	LINEAR	0.0	±0.38	SCALE	NONE
PART NO 21X22540-XXXXXX-XXX-XXX-XXX		DR.	UNIT	mm(INCH)	PROJECT	◎	
DRW NO		KEN		96.01.04		8	





EXTERIOR

REV.	DESCRIPTION	DRW.	CHK.	APP.	DATE
A	RELEASE				

Ref.

成品規格圖		APP.	ANGLES	±3°	SIZE	A4
TITLE 1.27x1.27mm Pin Header 22540 Series		CHK.	LINEAR	0.0 ±0.38	SCALE	NONE
PART NO 21X22540-XXXXXX-XXX-A/B/C-XXX		DR.		0.00±0.25	SHEET	4/5
DRW NO		PROJECT		KEN		96.01.04
UNIT mm(INCH)		PROJECT		KEN		96.01.04

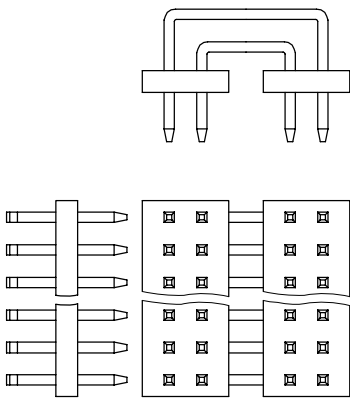


1	2	3	4	5	6	7	8
A	B	C	D	E	F	G	H

1 2 3 4 5 6 7 8

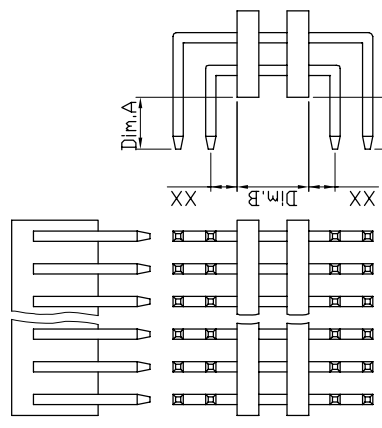
REV.	DESCRIPTION	DRW.	CHK.	APP.	DATE
A	RELEASE				

EXTERIOR



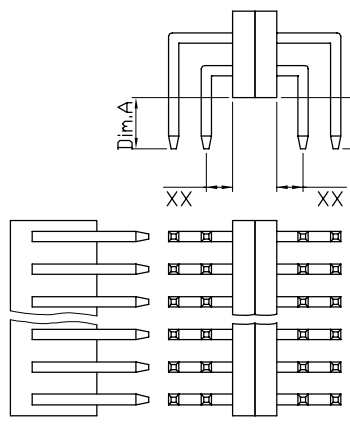
C26

21X22540-XXC26X-XXX-XXX-XXX
Exterior
Define Dimension NO Fillout



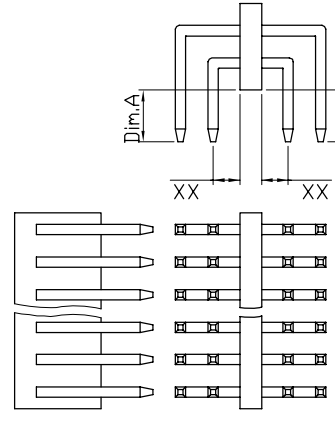
C22

21X22540-XXC22X-XXX-A/B/C-XXX
Exterior
Dimension



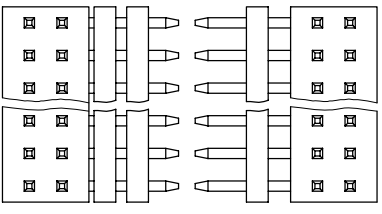
C20

21X22540-XXC20X-XXX-A/B-XXX
Exterior
Dimension



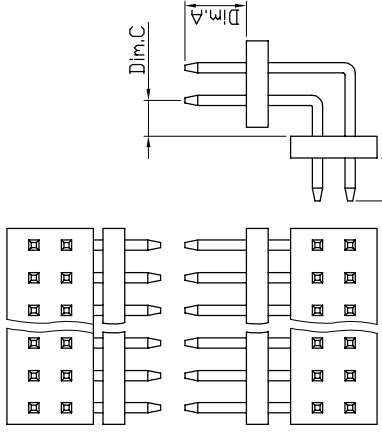
C10

21X22540-XXC10X-XXX-A/B-XXX
Exterior
Dimension



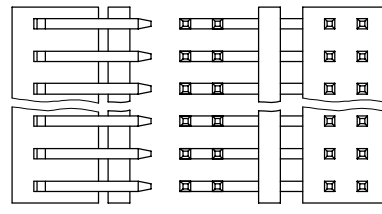
L32

21X22540-XXL32X-XXX-A/B/C-XXX
Exterior
Dimension



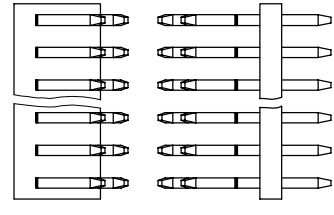
L22

21X22540-XXL22X-XXX-A/B/C-XXX
Exterior
Dimension



C27

21X22540-XXC27X-XXX-XXX-XXX
Exterior
Define Dimension NO Fillout



F11

21X22540-XXF11X-XXX-XXX-XXX
Exterior
Define Dimension NO Fillout

Ref.

成品規格圖		APP.	ANGLES	±3°	SIZE	A4
TITLE	1.27x1.27mm Pin Header 22540 Series	CHK.	LINEAR	0.0	±0.38	NONE
PART NO	21X22540-XXXXXX-XXX-XXX-XXX			0.00	±0.25	SHEET 5/5
DRW NO		DR.	KEN			
UNIT	mm(INCH)	PROJECT	96.01.04			



1 2 3 4 5 6 7 8