

ADJUNCTIVE CODE

21X22040-XXXXXX-XXX-XXX-ABCDEFMSXYZKVRWNHXXPX

塑膠彩色印刷

高低針

跳PIN

成品兩側打Kink

磷銅端子

紅銅端子

CUTTER

加 CAP

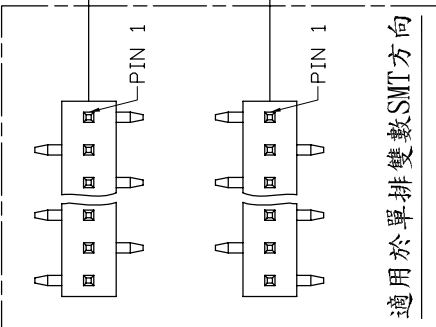
加圓片端子

加 WAFER

加 Mini Jumper

彎角 or SMT+DIP

Ref.



成品規格圖

TITLE	1.27x1.27mm Pin Header 22040 Series	CHK.	
PART NO	21X22040-XXXXXX-XXX-XXX-XXX	DR.	KEN
DRW NO		PROJECT	96.01.04
UNIT	mm(INCH)		

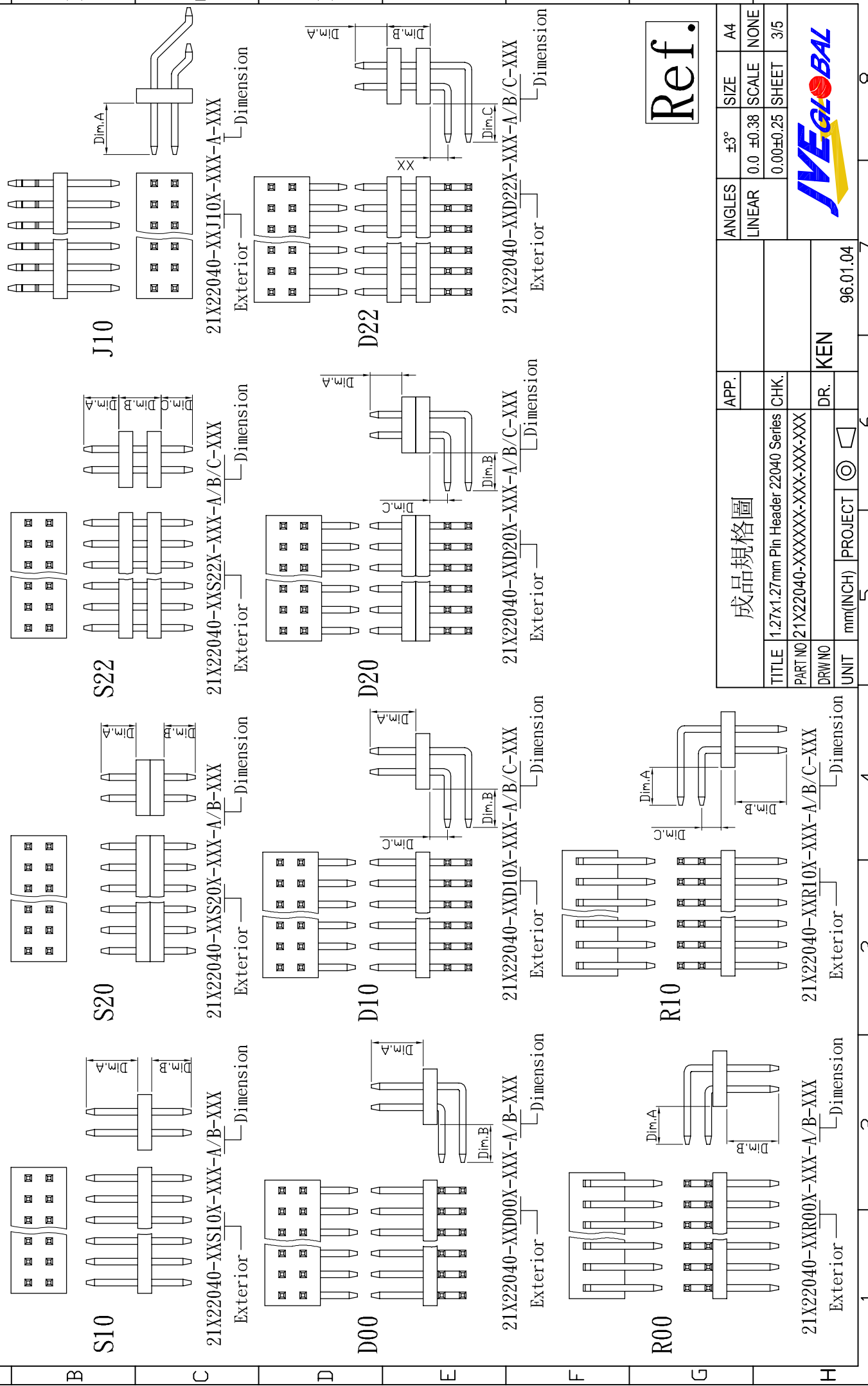


ANGLES	±3°	SIZE	A4
LINEAR	0.0 ±0.38	SCALE	NONE
	0.00±0.25	SHEET	2/5

1 2 3 4 5 6 7 8

EXTERIOR

REV.	DESCRIPTION	DRW.	CHK.	APP.	DATE
A	RELEASE				



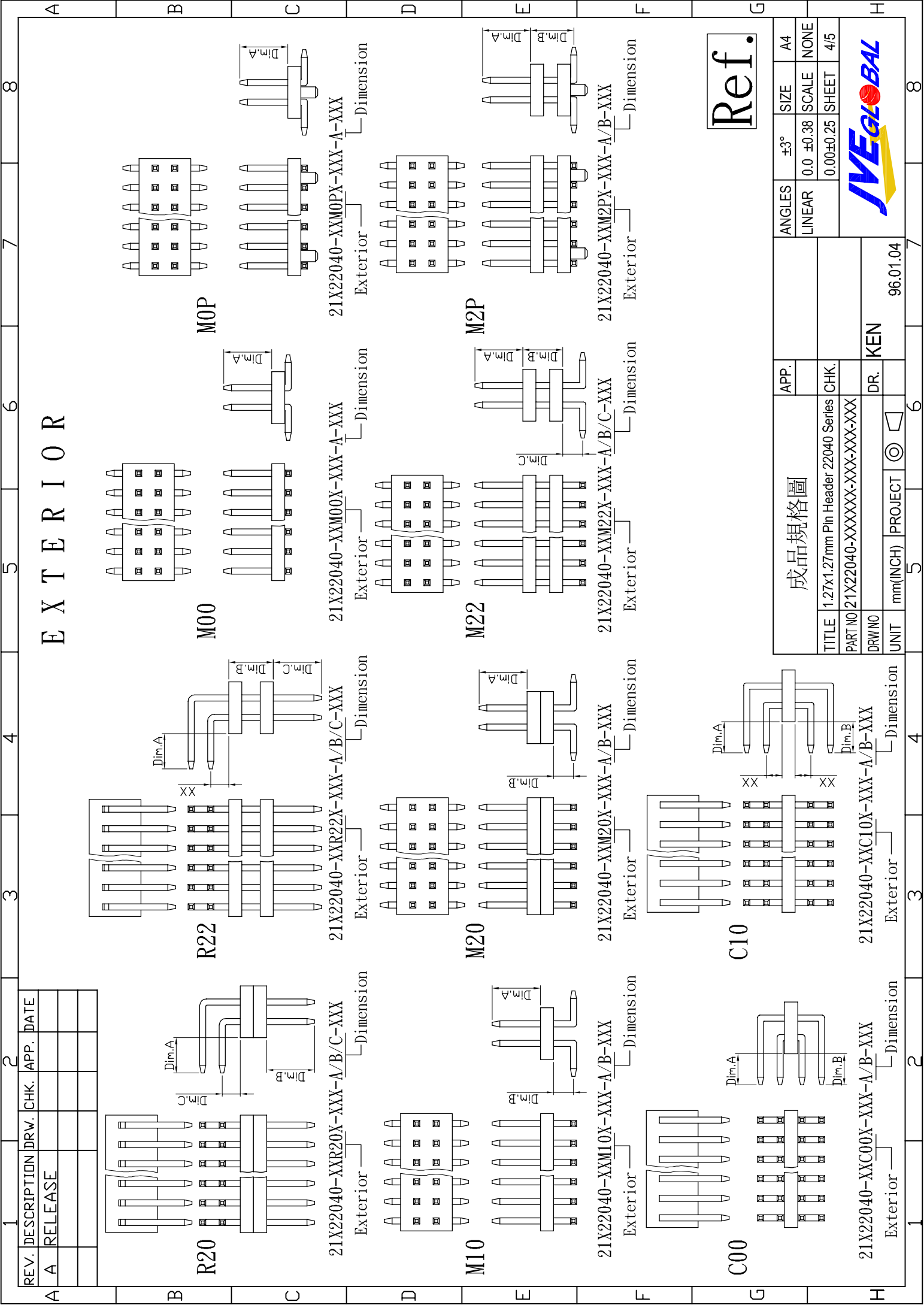
Ref.

成品規格圖		APP.	ANGLES	±3°	SIZE	A4
TITLE	1.27x1.27mm Pin Header 22040 Series	CHK.	LINEAR	0.0	±0.38	NONE
PART NO	21X22040-XXXXXX-XXX-A/B/C-XXX			0.00	±0.25	3/5
DRW NO		DR.	KEN			
UNIT	mm(INCH)	PROJECT	96.01.04			



A B C D E F G H

1 2 3 4 5 6 7 8



REV.	DESCRIPTION	DRW.	CHK.	APP.	DATE
A	RELEASE				

Ref.

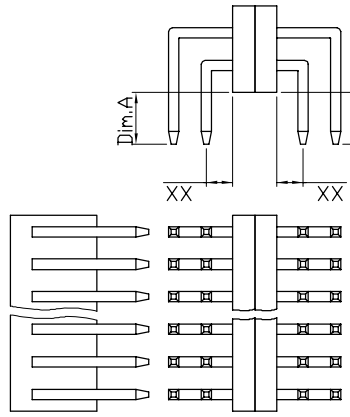
成品規格圖		APP.	ANGLES	±3°	SIZE	A4
TITLE 1.27x1.27mm Pin Header 22040 Series		CHK.	LINEAR	0.0 ±0.38	SCALE	NONE
PART NO 21X22040-XXXXXX-A/B/C-XXX				0.00±0.25	SHEET	4/5
DRW NO		DR.	KEN			
UNIT	mm(INCH)	PROJECT	96.01.04			



1 2 3 4 5 6 7 8 A B C D E F G H

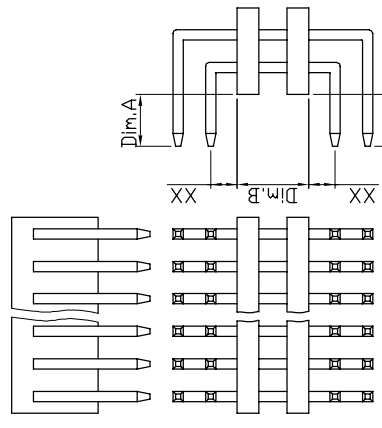
REV.	DESCRIPTION	DRW.	CHK.	APP.	DATE
A	RELEASE				

EXTERIOR



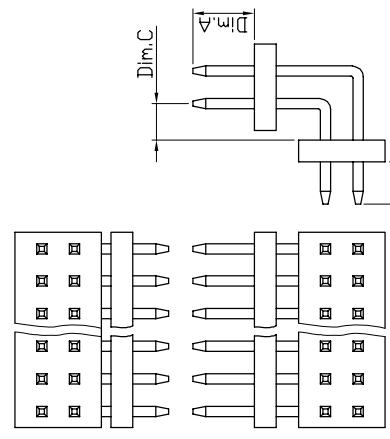
C20

21X22040-XXC20X-XXX-A/B-XXX
Exterior
Dimension



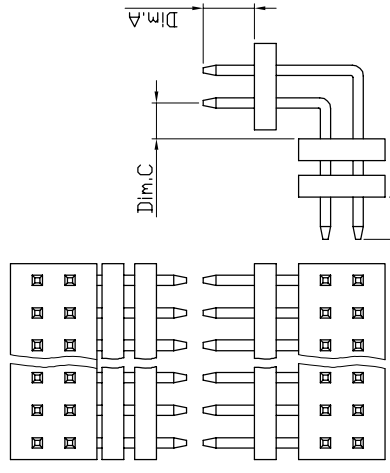
C22

21X22040-XXC22X-XXX-A/B/C-XXX
Exterior
Dimension



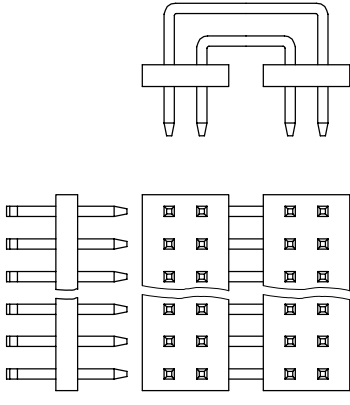
L22

21X22040-XXL22X-XXX-A/B/C-XXX
Exterior
Dimension



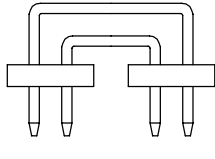
L32

21X22040-XXL32X-XXX-A/B/C-XXX
Exterior
Dimension



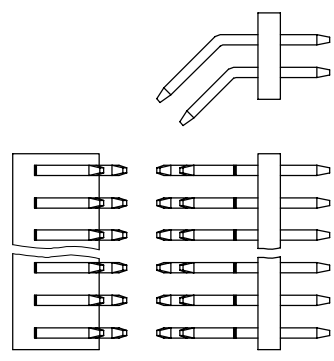
C26

21X22040-XXC26X-XXX-XXX
Exterior
Define Dimension NO Fillout



C27

21X22040-XXC27X-XXX-XXX
Exterior
Define Dimension NO Fillout



F11

21X22040-XXF11X-XXX-XXX
Exterior
Define Dimension NO Fillout

Ref.

成品規格圖		APP.	ANGLES	±3°	SIZE	A4
TITLE	1.27x1.27mm Pin Header 22040 Series	CHK.	LINEAR	0.0 ±0.38	SCALE	NONE
PART NO	21X22040-XXXXXX-XXX-XXX-XXX			0.00±0.25	SHEET	5/5
DRW NO		DR.	KEN			
UNIT	mm(INCH)	PROJECT	96.01.04			



1 2 3 4 5 6 7 8 A B C D E F G H