

REV.	DESCRIPTION	DRW.	CHK.	APP.	DATE
A	RELEASE				

**SPECIFICATIONS**

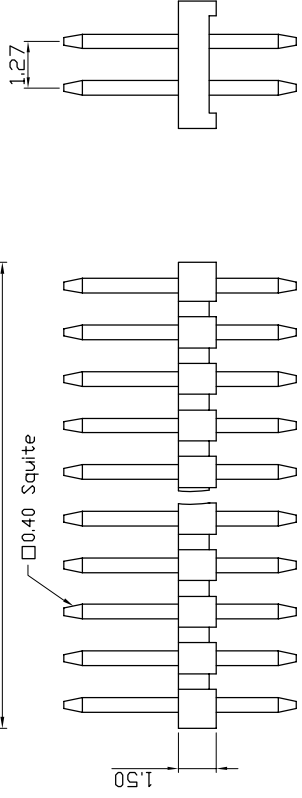
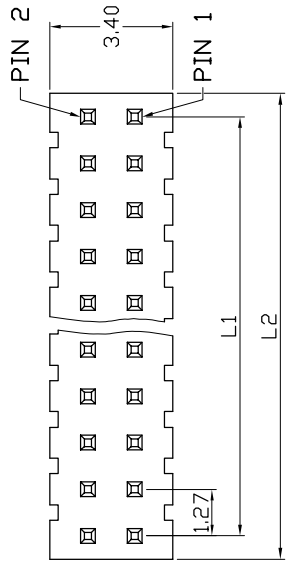
Current Rating:  
 1 Amp  
 Insulator resistance:  
 1000 Megohms Min.  
 Contact resistance:  
 20 m ohms Max.  
 Dielectric withstanding:  
 AC 500V/minute  
 Operating Temperature:  
 -40° ~ +105°C  
 Contact Material:  
 BRASS  
 Insulator Material:  
 High Temperature Thermoplastic  
 +Glass Fibre UL94V-0  
 Color: Black  
 Finish:  
 Gold, Tin or Duplex plated  
 Standard: Gold flash all over  
 Duplex plated:  
 Gold plated on contact area  
 Tin on solder area

**RoHS Compliance**

**ORDERING INFORMATION**

21X21540-XXXXXX-XXX-XXX-XXX

Material: B PBT, N Nylon-6T, L LCP  
 Row of plastic Double Row  
 Plastic Height: 1.50mm  
 Spacing & Pitch: 0.40sq x PH. 27x1.27mm  
 Number of Contact: 04-80  
 Exterior: Referenced Sheet 3/6, 4/6, 5/6, 6/6  
 Adjunctive Code Referenced Sheet 2/6  
 Dimension: 6, 6/3, A/B, 6/3/1.5, A/B/C  
 Plating Type: G Gold Plated, T Tin Plated, H Duplex Plated  
 Contact Plating: 01 Normal, 03 3µ", 05 5µ", 10 10µ"  
 Color: B Black, R Red, U Blue, ...



示意图

Ref.

Circuits	Dimension mm
2x2	L1
2x3	L2
2x4	1.27
2x5	2.54
2x6	3.81
2x7	5.08
2x8	6.35
2x9	7.62
2x10	8.89
2x11	10.16
2x12	11.43
2x13	12.70
2x14	13.97
2x15	15.24
2x16	16.51
2x17	17.78
2x18	19.05
2x19	20.32
2x20	21.59
2x21	22.86
2x22	24.13
2x23	25.40
2x24	26.67
2x25	27.94
2x26	29.21
2x27	30.48
2x28	31.75
2x29	33.02
2x30	34.29
2x31	35.56
2x32	36.83
2x33	38.10
2x34	39.37
2x35	40.64
2x36	41.91
2x37	43.18
2x38	44.45
2x39	45.72
2x40	46.99
	48.26
	49.53
	50.80

成品规格图		APP.	ANGLES	±3°	SIZE	A4
TITLE	1.27x1.27mm Pin Header 21540 Series	CHK.	LINEAR	0.0 ±0.38	SCALE	NONE
PART NO	21X21540-XXXXXX-XXX-XXX-XXX			0.00±0.25	SHEET	1/6
DRW NO		DR.	KEN			
UNIT	mm(INCH)	PROJECT	96.01.04			



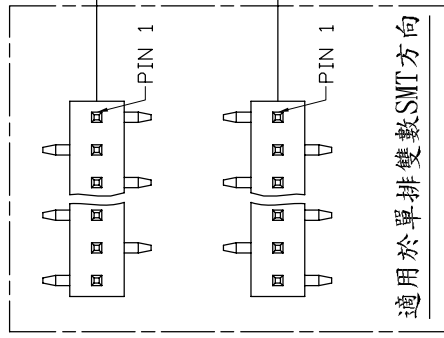
A B C D E F G H

1 2 3 4 5 6 7 8

REV.	DESCRIPTION	DRW.	CHK.	APP.	DATE
A	RELEASE				

# ADJUNCTIVE CODE

21X21540-XXXXXX-XXX-XXX-**A****B****C****E****F****M****S****X****Y****Z****K****VRWN****HXX****PX**



加 CAP

加 圓片端子

加 WAFER

加 Mini Jumper

彎角 or SMT+DIP

CUTTER

塑膠彩色印刷

高低針

跳PIN

成品兩側打Kink

磷銅端子

紅銅端子

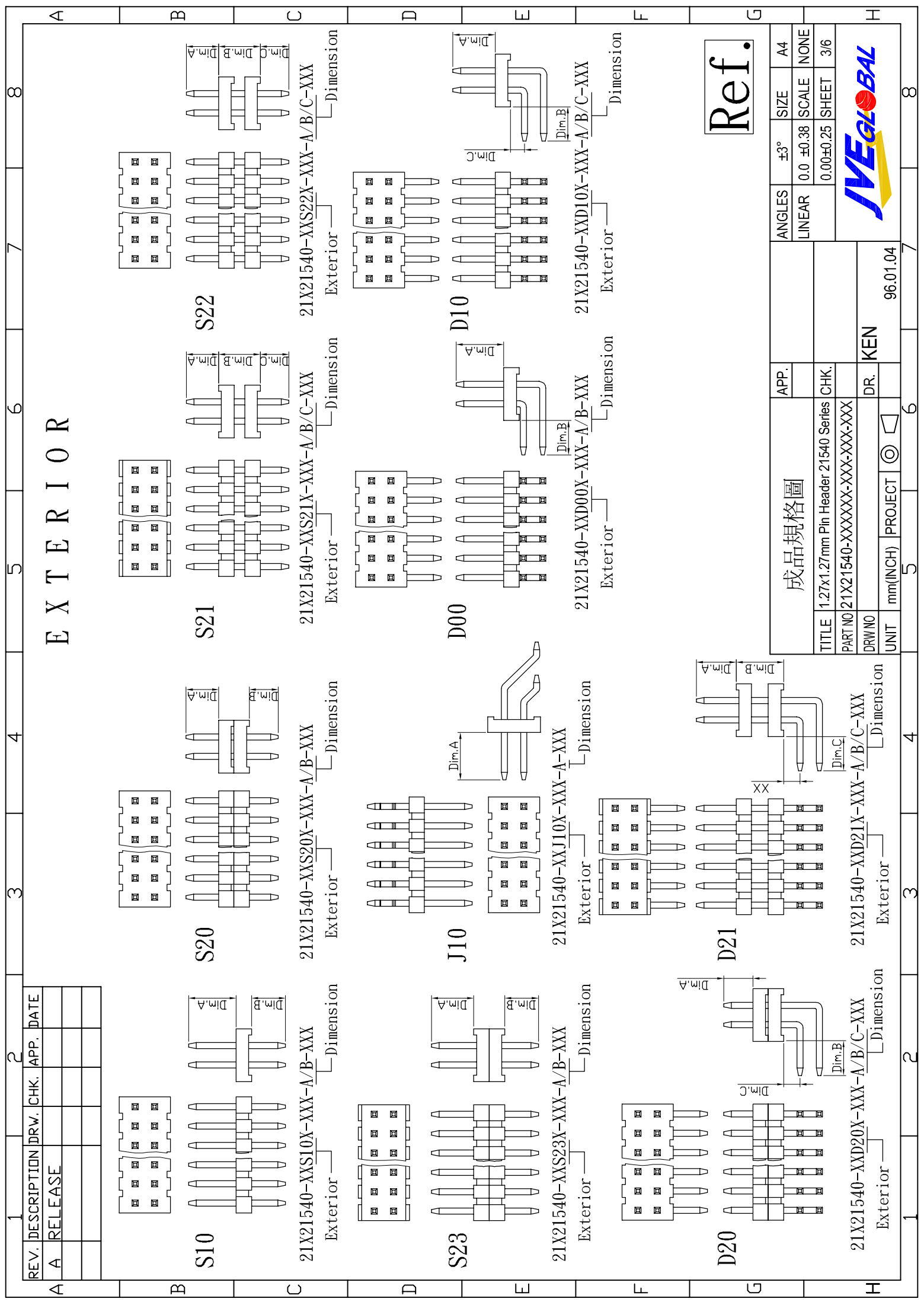
Ref.

成品規格圖		APP.	ANGLES	±3°	SIZE	A4
TITLE	1.27x1.27mm Pin Header 21540 Series	CHK.	LINEAR	0.0 ±0.38	SCALE	NONE
PART NO	21X21540-XXXXXX-XXX-XXX-XXX			0.00±0.25	SHEET	2/6
DRW NO		DR.	KEN			
UNIT	mm(INCH)	PROJECT	◎ □			96.01.04



A B C D E F G H

1 2 3 4 5 6 7 8



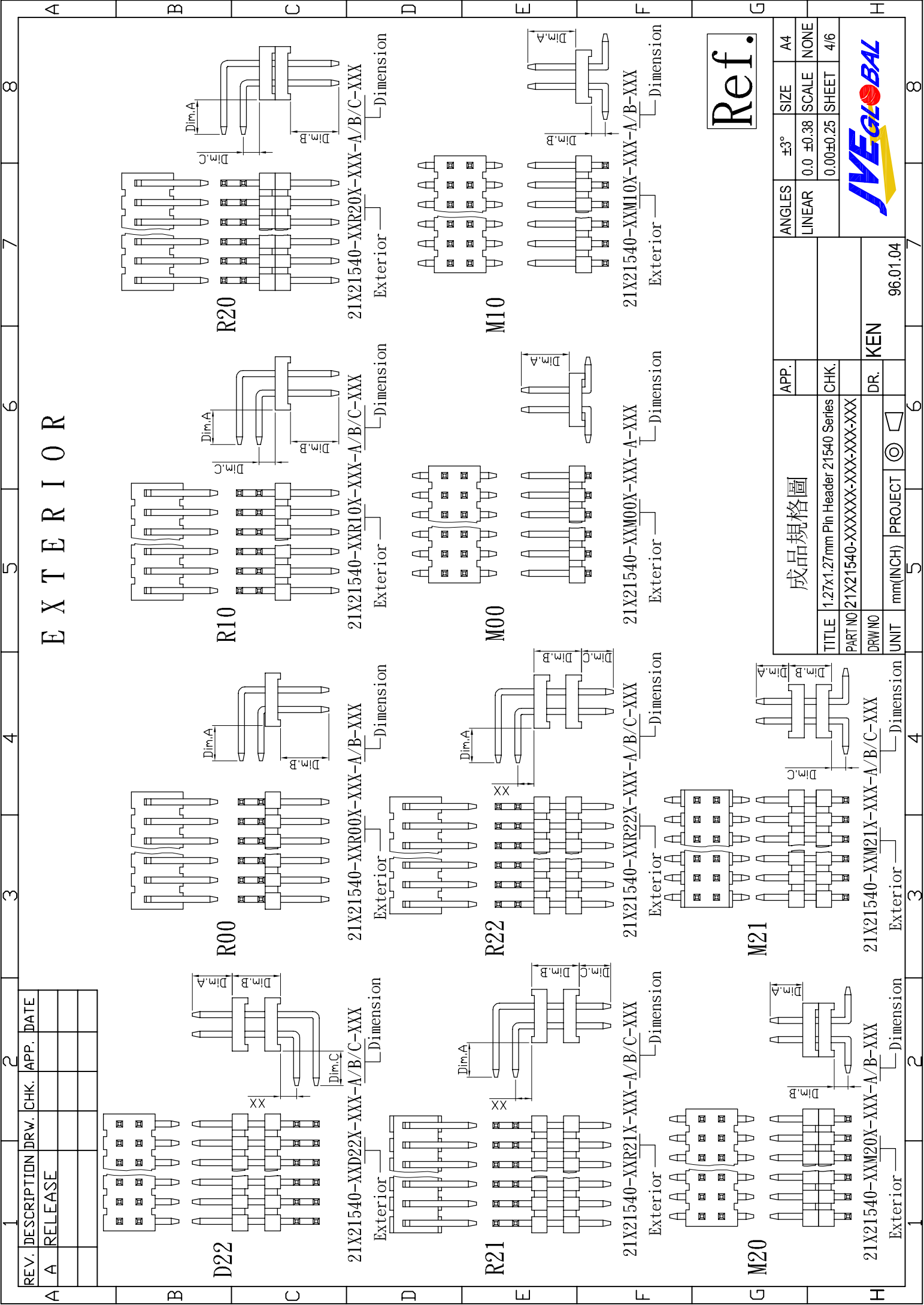
# E X T E R I O R

REV.	DESCRIPTION	DRW.	CHK.	APP.	DATE
A	RELEASE				

Ref.

成品規格圖		APP.	ANGLES	±3°	SIZE	A4
TITLE		1.27x1.27mm Pin Header 21540 Series	LINEAR	0.0	±0.38	NONE
PART NO		21X21540-XXXXXX-A/B/C-XXX				
DRW NO						
UNIT		mm(INCH)	PROJECT	◎	DR. KEN	
			96.01.04			





REV.	DESCRIPTION	DRW.	CHK.	APP.	DATE
A	RELEASE				

成品規格圖		APP.	ANGLES	±3°	SIZE	A4
TITLE	1.27x1.27mm Pin Header 21540 Series	CHK.	LINEAR	0.0	±0.38	NONE
PART NO	21X21540-XXXXXX-A/B/C-XXX			0.00	±0.25	4/6
DRW NO		DR.	KEN			
UNIT	mm(INCH)	PROJECT	96.01.04			



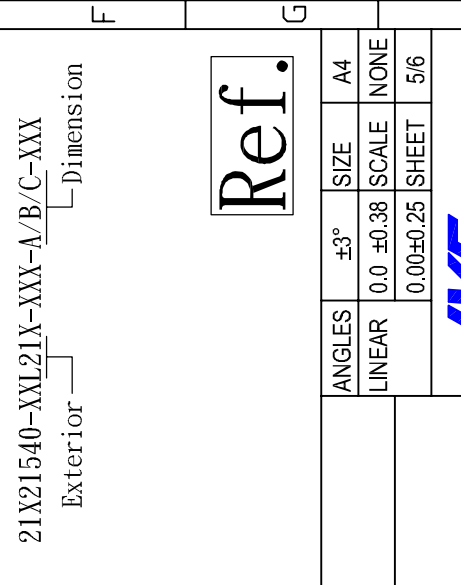
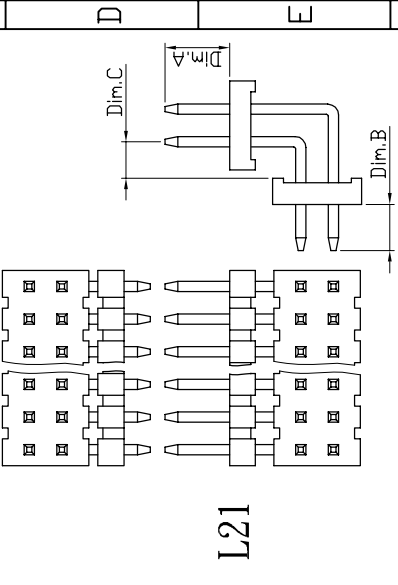
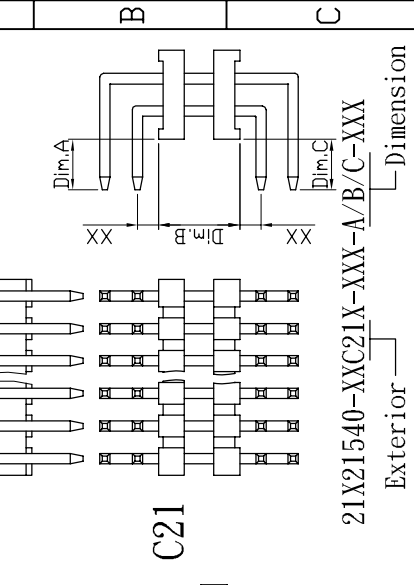
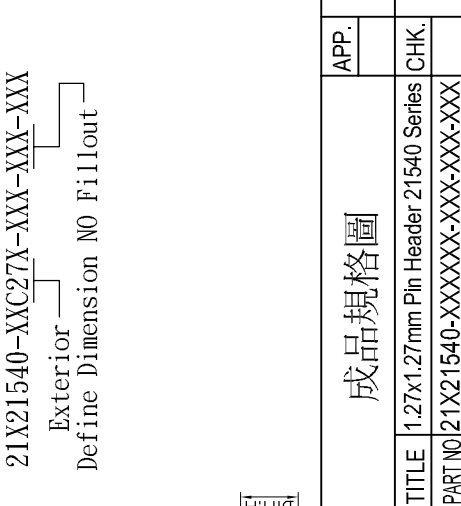
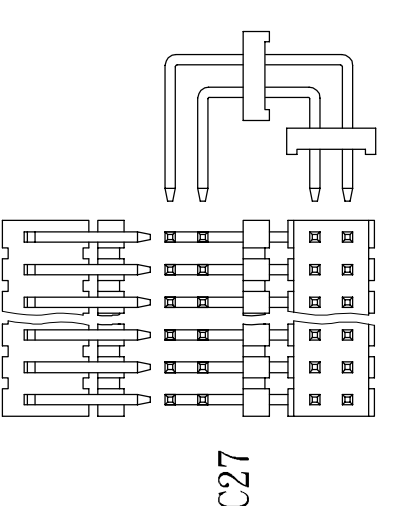
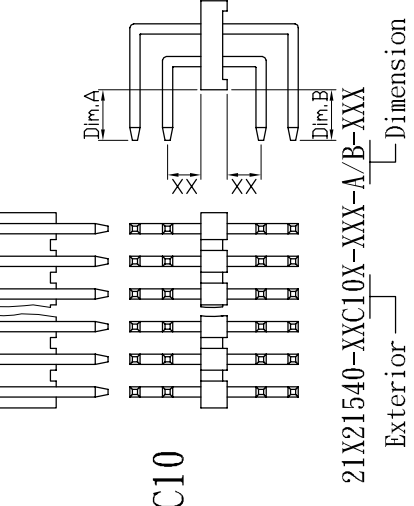
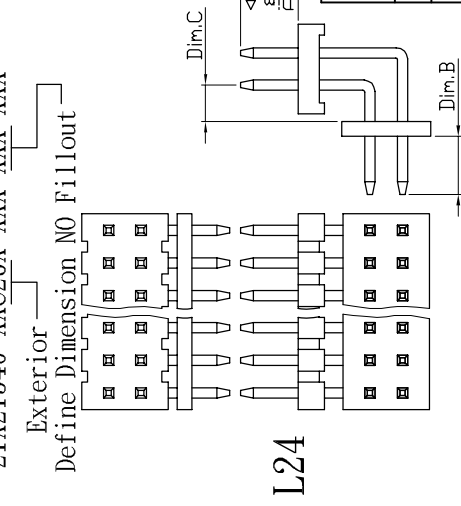
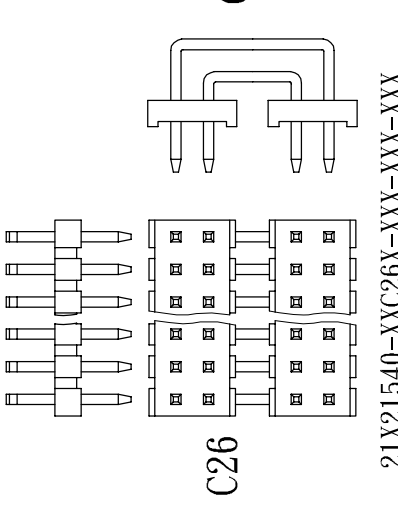
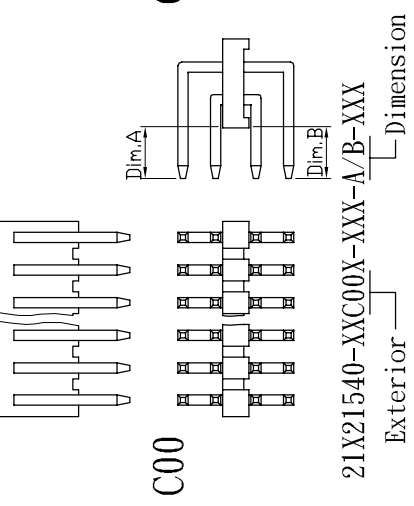
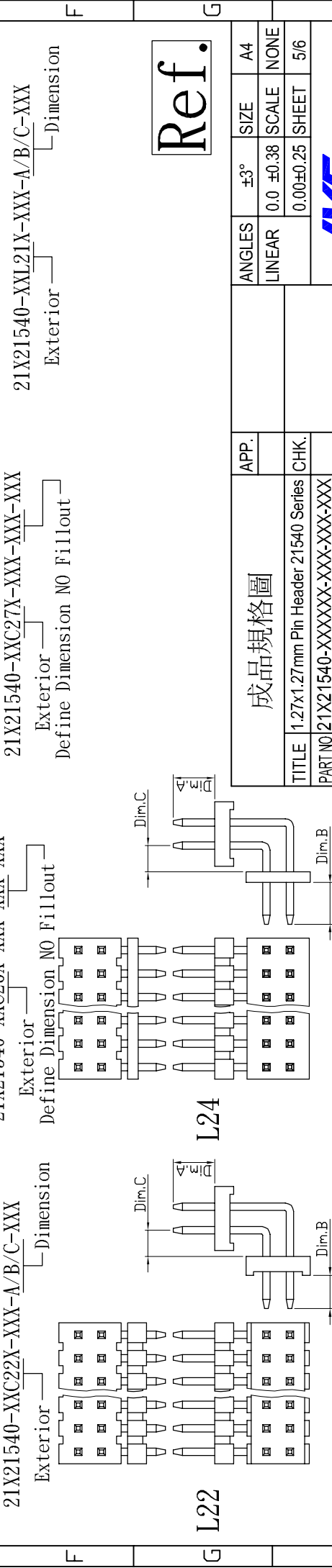
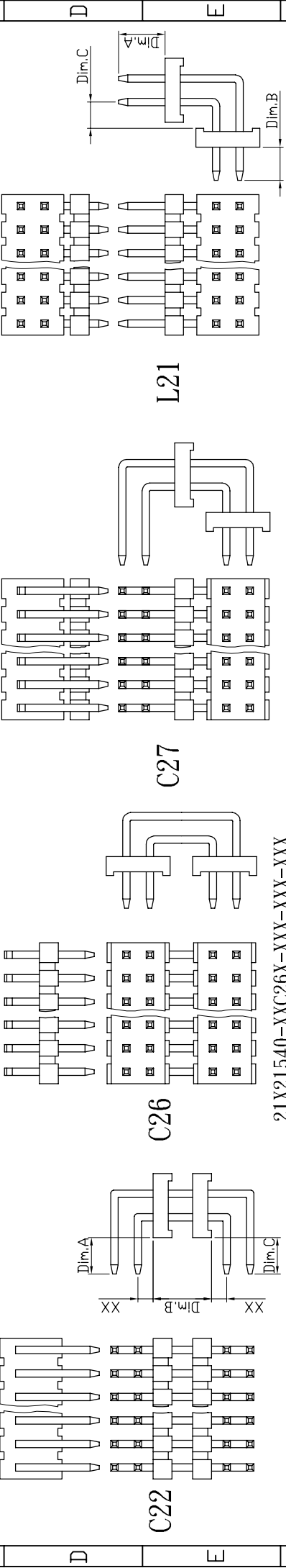
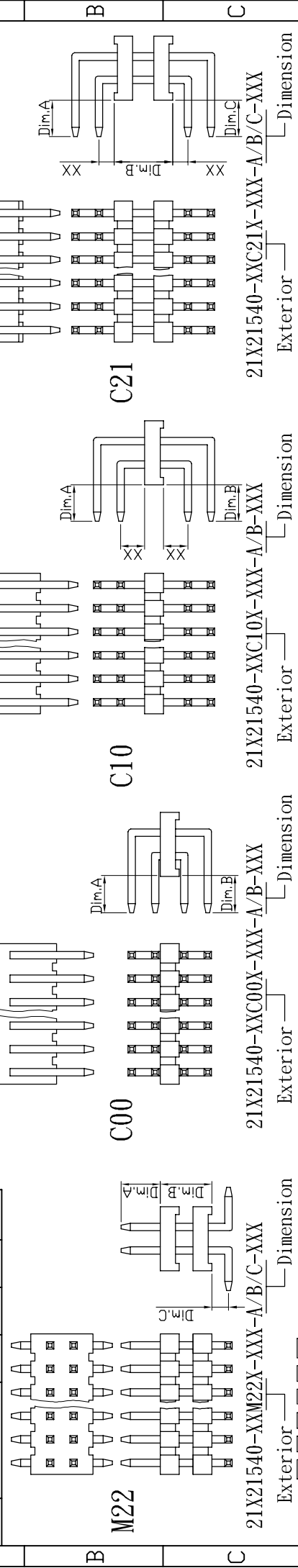
Ref.

1 2 3 4 5 6 7 8

A B C D E F G H

1 2 3 4 5 6 7 8

REV.	DESCRIPTION	DRW.	CHK.	APP.	DATE
A	RELEASE				



**EXTERIOR**

**Ref.**

成品規格圖		APP.	ANGLES	±3°	SIZE	A4
TITLE	1.27x1.27mm Pin Header 21540 Series	CHK.	LINEAR	0.0 ±0.38	SCALE	NONE
PART NO	21X21540-XXXXXX-XXX-XXX-XXX	DR.		0.00±0.25	SHEET	5/6
DRW NO						
UNIT	mm(INCH)	PROJECT	◎			
		KEN				
		96.01.04				



A B C D E F G H

