

| REV. | DESCRIPTION | DRW. | CHK. | APP. | DATE |
|------|-------------|------|------|------|------|
| A | RELEASE | | | | |

SPECIFICATIONS

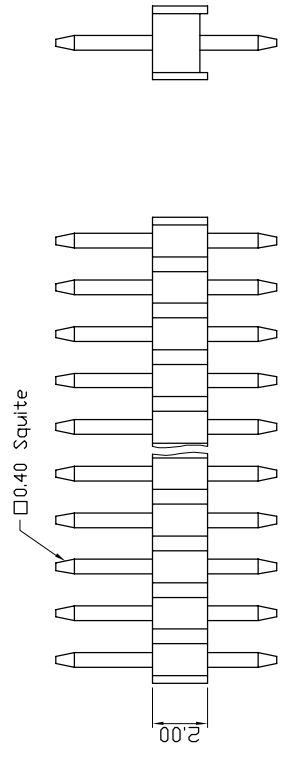
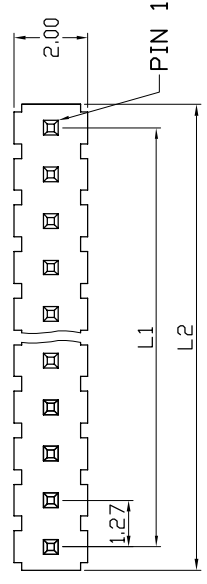
Current Rating:
 1 Amp
 Insulator resistance:
 1000 Megohms Min.
 Contact resistance:
 20 m ohms Max.
 Dielectric withstanding:
 AC 500V/minute
 Operating Temperature:
 -40° ~ +105°C
 Contact Material:
 BRASS
 Insulator Material:
 High Temperature Thermoplastic
 +Glass Fibre UL94V-0
 Color: Black
 Finish:
 Gold, Tin or Duplex plated
 Standard: Gold flash all over
 Duplex plated:
 Gold plated on contact area
 Tin on solder area

RoHS Compliance

ORDERING INFORMATION

21X12040-XXXXXX-XXX-XXX-XXX

Material
 B PBT
 N Nylon-6T
 L LCP
 Row of plastic
 Single Row
 Plastic Height
 2.00mm
 Spite & Pitch
 0.40sq x PH. 27mm
 Number of Contact
 02-50
 Exterior
 Referenced Sheet 3/6, 4/6, 5/6, 6/6
 Adjunctive Code
 Referenced Sheet 2/6
 Dimension
 6
 A
 6/3
 A/B
 6/3/1.5
 A/B/C
 Plating Type
 G Gold Plated
 T Tin Plated
 H Duplex Plated
 Contact Plating
 01 Normal
 03 3μ"
 05 5μ"
 10 10μ"
 Color
 B Black
 R Red
 U Blue
 ∴



示意圖

| Cir- cuits | Dimension mm | |
|---------------|--------------|-------|
| | L1 | L2 |
| 2 | 1.27 | 2.54 |
| 3 | 2.54 | 3.81 |
| 4 | 3.81 | 5.08 |
| 5 | 5.08 | 6.35 |
| 6 | 6.35 | 7.62 |
| 7 | 7.62 | 8.89 |
| 8 | 8.89 | 10.16 |
| 9 | 10.16 | 11.43 |
| 10 | 11.43 | 12.70 |
| 11 | 12.70 | 13.97 |
| 12 | 13.97 | 15.24 |
| 13 | 15.24 | 16.51 |
| 14 | 16.51 | 17.78 |
| 15 | 17.78 | 19.05 |
| 16 | 19.05 | 20.32 |
| 17 | 20.32 | 21.59 |
| 18 | 21.59 | 22.86 |
| 19 | 22.86 | 24.13 |
| 20 | 24.13 | 25.40 |
| 21 | 25.40 | 26.67 |
| 22 | 26.67 | 27.94 |
| 23 | 27.94 | 29.21 |
| 24 | 29.21 | 30.48 |
| 25 | 30.48 | 31.75 |
| 26 | 31.75 | 33.02 |
| 27 | 33.02 | 34.29 |
| 28 | 34.29 | 35.56 |
| 29 | 35.56 | 36.83 |
| 30 | 36.83 | 38.10 |
| 31 | 38.10 | 39.37 |
| 32 | 39.37 | 40.64 |
| 33 | 40.64 | 41.91 |
| 34 | 41.91 | 43.18 |
| 35 | 43.18 | 44.45 |
| 36 | 44.45 | 45.72 |
| 37 | 45.72 | 46.99 |
| 38 | 46.99 | 48.26 |
| 39 | 48.26 | 49.53 |
| 40 | 49.53 | 50.80 |
| 41 | 50.80 | 52.07 |
| 42 | 52.07 | 53.34 |
| 43 | 53.34 | 54.61 |
| 44 | 54.61 | 55.88 |
| 45 | 55.88 | 57.15 |
| 46 | 57.15 | 58.42 |
| 47 | 58.42 | 59.69 |
| 48 | 59.69 | 60.96 |
| 49 | 60.96 | 62.23 |
| 50 | 62.23 | 63.50 |

Ref.

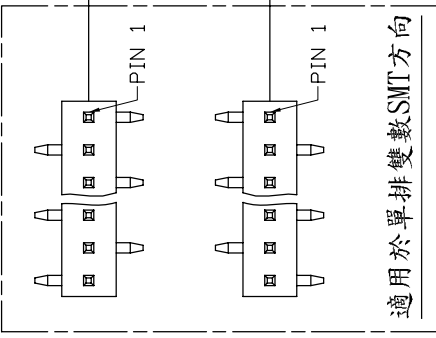
| 成品規格圖 | | APP. | ANGLES | ±3° | SIZE | A4 |
|---------|--------------------------------|---------|--------|-----------|-------|------|
| TITLE | 1.27mm Pin Header 12040 Series | CHK. | LINEAR | 0.0 | ±0.38 | NONE |
| PART NO | 21X12040-XXXXXX-XXX-XXX-XXX | | | 0.00±0.25 | SHEET | 1/6 |
| DRW NO | | DR. | KEN | | | |
| UNIT | mm(INCH) | PROJECT | ◎ | | | |
| | | | | 96.01.04 | | |



| REV. | DESCRIPTION | DRW. | CHK. | APP. | DATE |
|------|-------------|------|------|------|------|
| A | RELEASE | | | | |
| | | | | | |

ADJUNCTIVE CODE

21X12040-XXXXXX-XXX-XXX- A B C E F M S X Y Z K VRWN HXX PX



塑膠彩色印刷

高低針

跳PIN

成品兩側打Kink

磷銅端子

紅銅端子

CUTTER

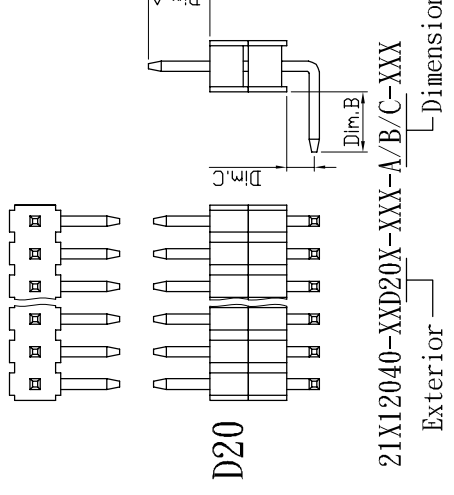
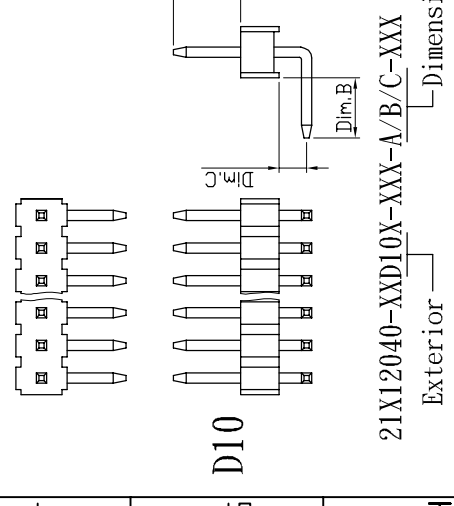
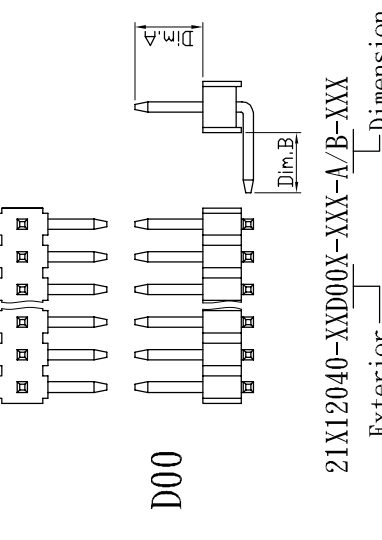
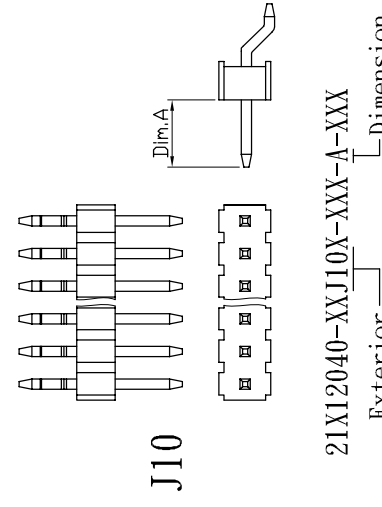
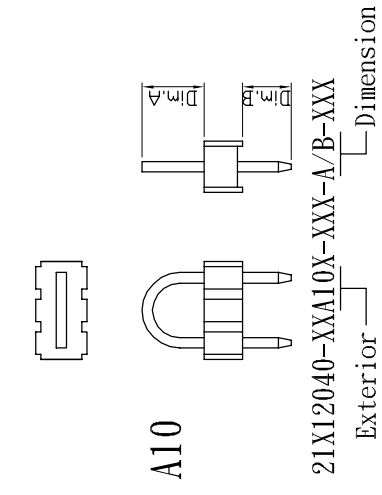
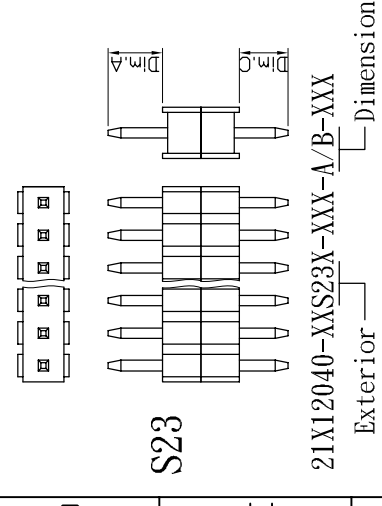
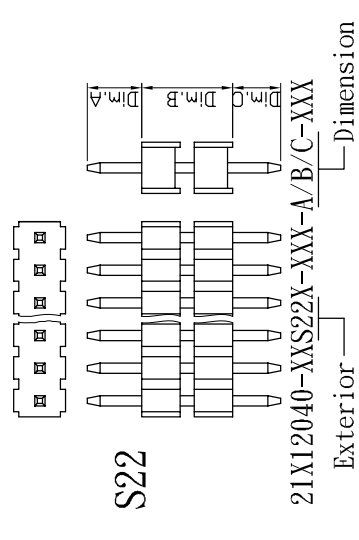
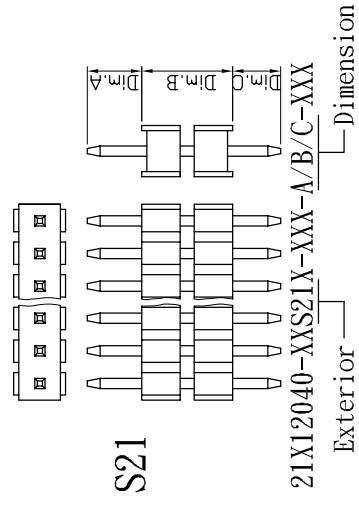
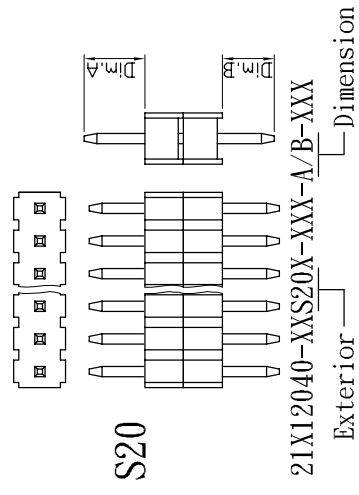
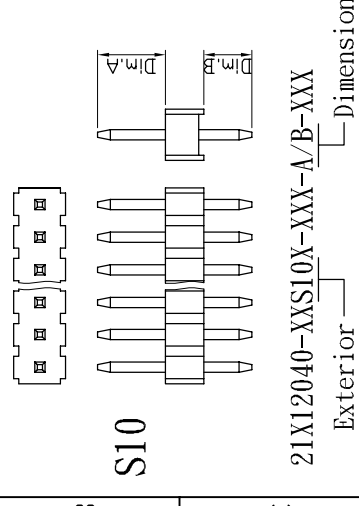
| 成品規格圖 | | APP. | ANGLES | ±3° | SIZE | A4 |
|---------|--------------------------------|---------|--------|-----------|----------|------|
| TITLE | 1.27mm Pin Header 12040 Series | CHK. | LINEAR | 0.0 ±0.38 | SCALE | NONE |
| PART NO | 21X12040-XXXXXX-XXX-XXX-XXX | DR. | | 0.00±0.25 | SHEET | 2/6 |
| DRW NO | | PROJECT | K EN | | 96.01.04 | |
| UNIT | mm(INCH) | | | | | |



1 2 3 4 5 6 7 8

E X T E R I O R

| REV. | DESCRIPTION | DRW. | CHK. | APP. | DATE |
|------|-------------|------|------|------|------|
| A | RELEASE | | | | |
| | | | | | |



Ref.

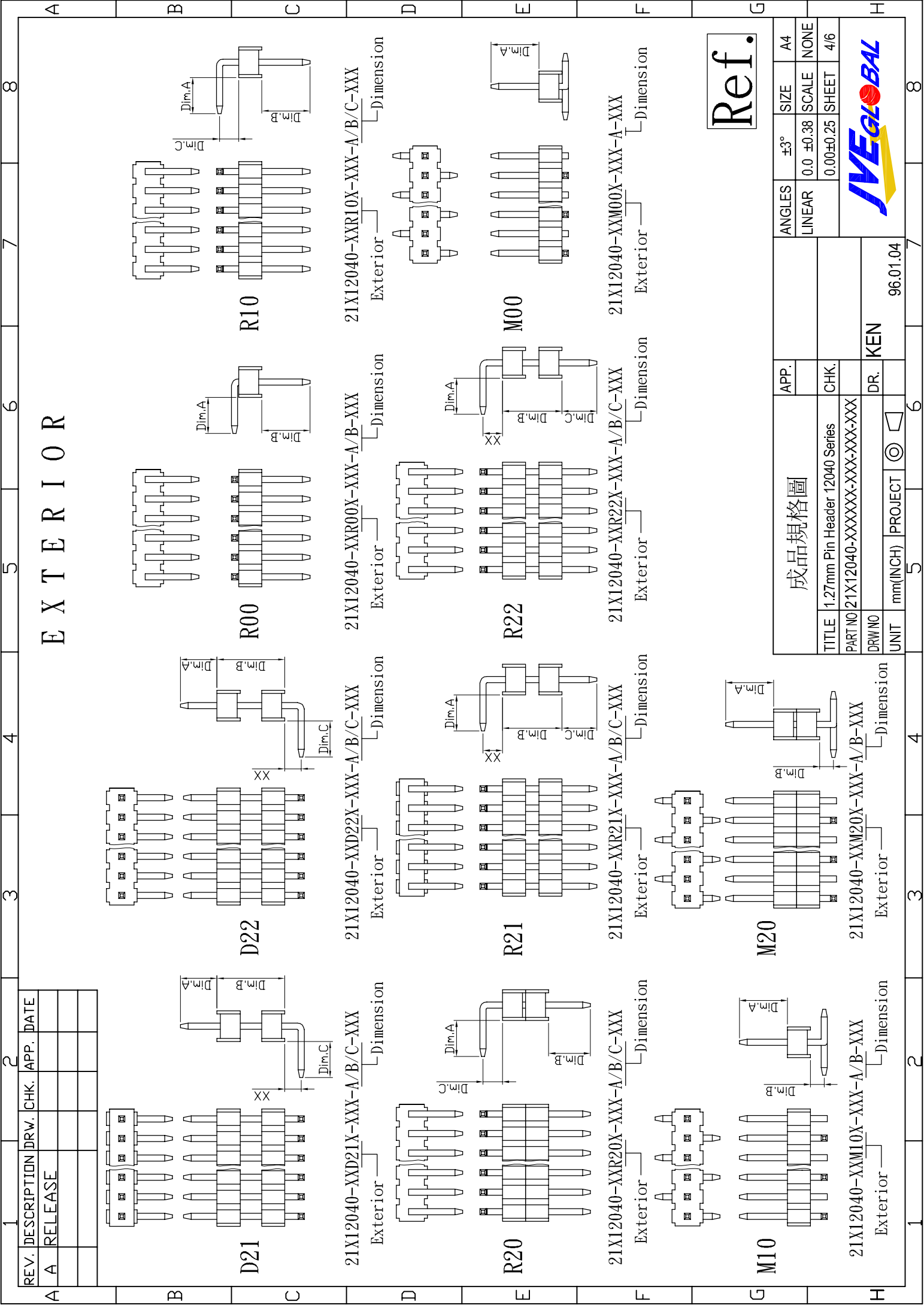
| 成品規格圖 | | APP. | ANGLES | ±3° | SIZE | A4 |
|---------|--------------------------------|---------|--------|------|-------|------|
| TITLE | 1.27mm Pin Header 12040 Series | CHK. | LINEAR | 0.0 | ±0.38 | NONE |
| PART NO | 21X12040-XXXXXX-XXX-XXX-XXX | | | 0.00 | ±0.25 | 3/6 |
| DRW NO | | DR. | | | | |
| UNIT | mm(INCH) | PROJECT | | | | |

96.01.04

KEN



A B C D E F G H



E X T E R I O R

Ref.

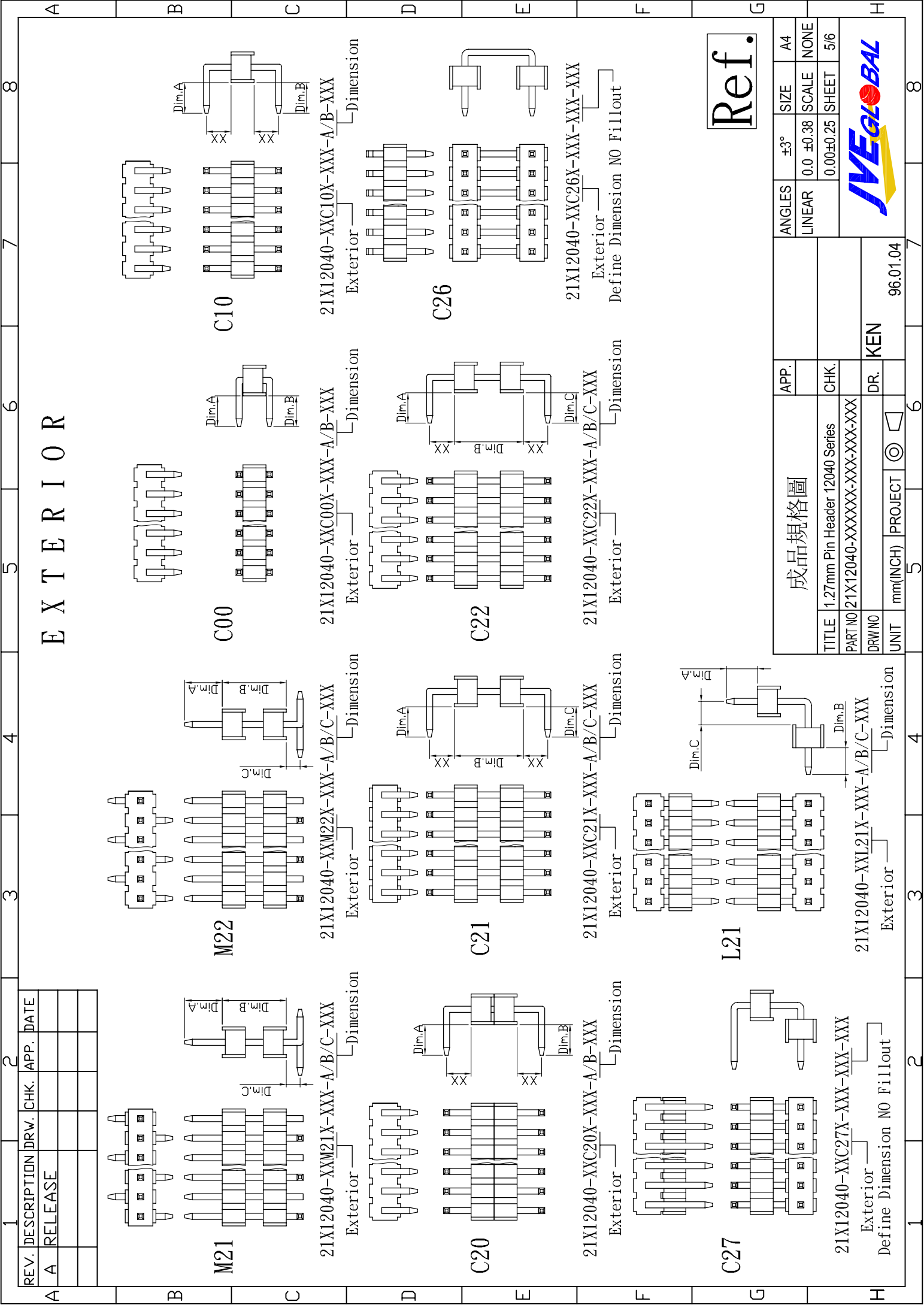
| REV. | DESCRIPTION | DRW. | CHK. | APP. | DATE |
|------|-------------|------|------|------|------|
| A | RELEASE | | | | |
| | | | | | |

| 成品規格圖 | | APP. | ANGLES | ±3° | SIZE | A4 |
|--------------------------------------|----------|---------|------------|-----------|-------|------|
| TITLE 1.27mm Pin Header 12040 Series | | CHK. | LINEAR | 0.0 ±0.38 | SCALE | NONE |
| PART NO 21X12040-XXXXXX-XXX-XXX-XXX | | | | 0.00±0.25 | SHEET | 4/6 |
| DRW NO | | DR. | KEN | | | |
| UNIT | mm(INCH) | PROJECT | | | | |



8 7 6 5 4 3 2 1

A B C D E F G H



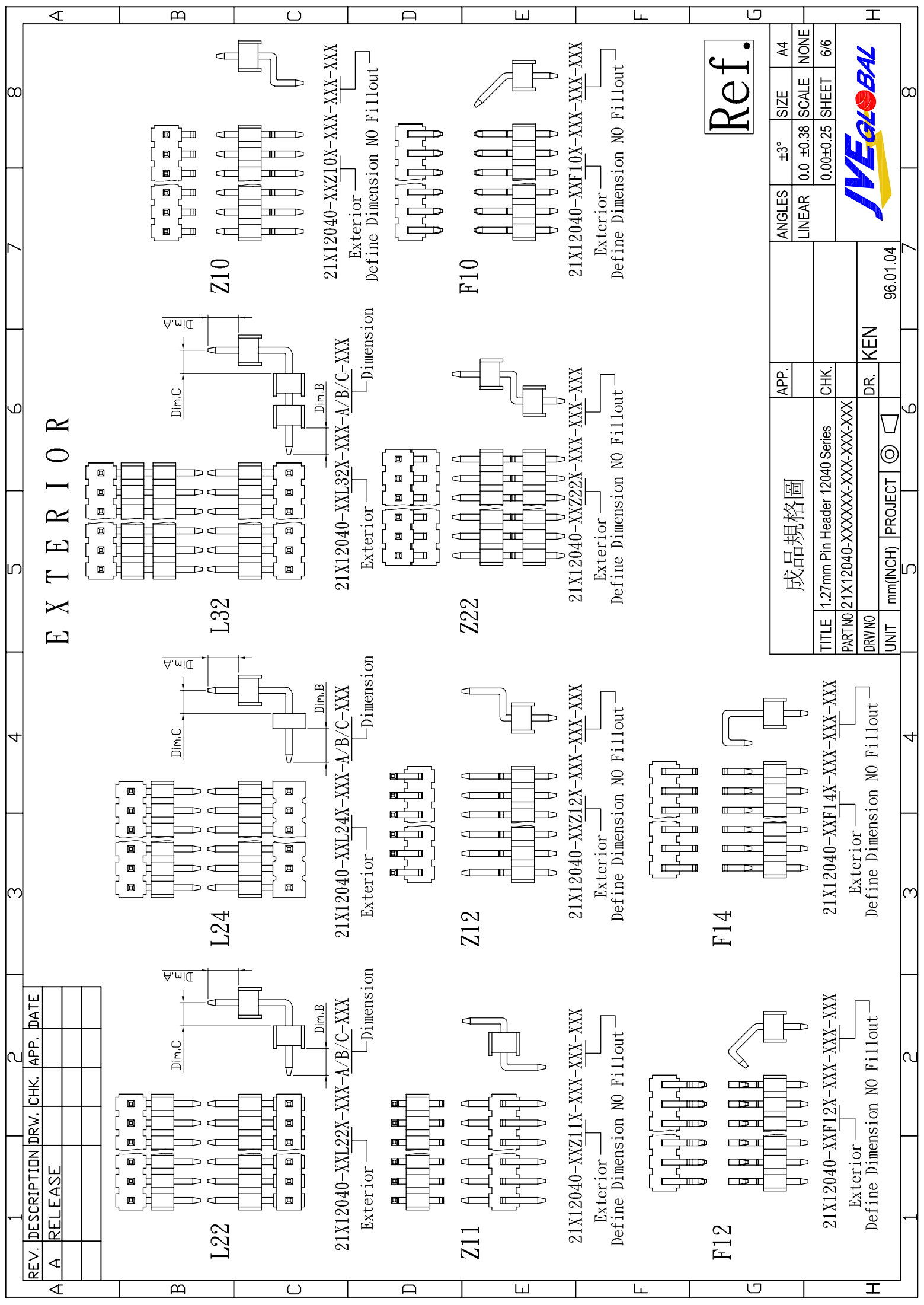
EXTERIOR

| REV. | DESCRIPTION | DRW. | CHK. | APP. | DATE |
|------|-------------|------|------|------|------|
| A | RELEASE | | | | |

Ref.

| 成品規格圖 | | APP. | ANGLES | ±3° | SIZE | A4 |
|---------|--------------------------------|---------|----------|-----------|-------|------|
| TITLE | 1.27mm Pin Header 12040 Series | CHK. | LINEAR | 0.0 | ±0.38 | NONE |
| PART NO | 21X12040-XXXXXX-XXX-XXX-XXX | | | 0.00±0.25 | SHEET | 5/6 |
| DRW NO | | DR. | KEN | | | |
| UNIT | mm(INCH) | PROJECT | 96.01.04 | | | |





EXTERIOR

| REV. | DESCRIPTION | DRW. | CHK. | APP. | DATE |
|------|-------------|------|------|------|------|
| A | RELEASE | | | | |
| | | | | | |

Ref.

| 成品規格圖 | | APP. | ANGLES | ±3° | SIZE | A4 |
|---------------------------------------|----------|---------|----------|-----------|-------|------|
| TITLE: 1.27mm Pin Header 12040 Series | | CHK. | LINEAR | 0.0 | ±0.38 | NONE |
| PART NO: 21X12040-XXXXXX-XXX-XXX-XXX | | | | 0.00±0.25 | SHEET | 6/6 |
| DRW NO | | DR. | KEN | | | |
| UNIT | mm(INCH) | PROJECT | 96.01.04 | | | |

