

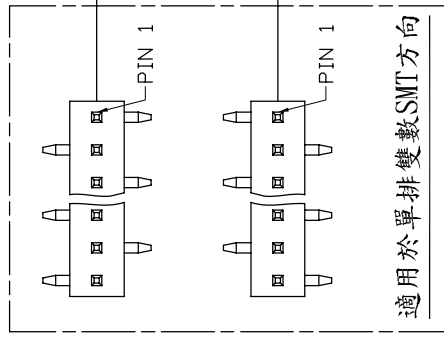
A B C D E F G H

1 2 3 4 5 6 7 8

REV.	DESCRIPTION	DRW.	CHK.	APP.	DATE
A	RELEASE				

ADJUNCTIVE CODE

21X11540-XXXXXX-XXX-XXX- A B C E F M S X Y Z K VRWN HXX PX



塑膠彩色印刷

高低針

跳PIN

成品兩側打Kink

磷銅端子

紅銅端子

加 CAP

加 圓片端子

加 WAFER

加 Mini Jumper

彎角 or SMT+DIP

CUTTER

成品規格圖

TITLE		1.27mm Pin Header 11540 Series	APP.	ANGLES	±3°	SIZE	A4	
PART NO		21X11540-XXXXXX-XXX-XXX-XXX	CHK.	LINEAR		0.0 ±0.38	SCALE	NONE
DRW NO			DR.			0.00±0.25	SHEET	2/6
UNIT		mm(INCH)	PROJECT	KEN		96.01.04		



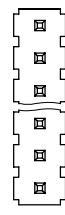
A B C D E F G H

1 2 3 4 5 6 7 8

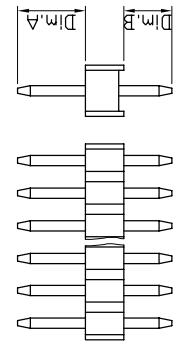
1 2 3 4 5 6 7 8

EXTERIOR

REV.	DESCRIPTION	DRW.	CHK.	APP.	DATE
A	RELEASE				

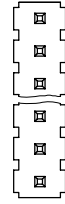


S10

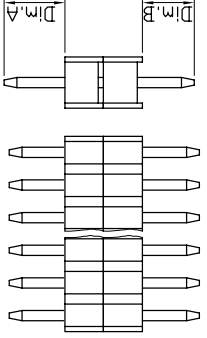


21X11540-XXS10X-XXX-A/B/C-XXX

Exterior Dimension

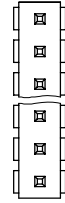


S20

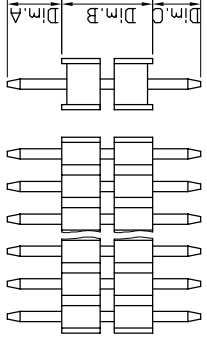


21X11540-XXS20X-XXX-A/B-XXX

Exterior Dimension



S21

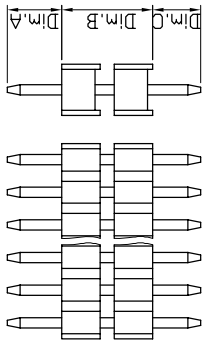


21X11540-XXS21X-XXX-A/B/C-XXX

Exterior Dimension

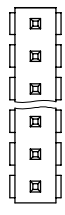


S22

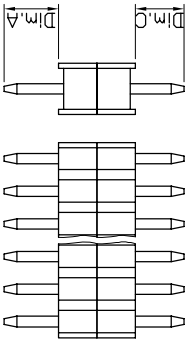


21X11540-XXS22X-XXX-A/B/C-XXX

Exterior Dimension

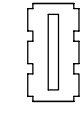


S23

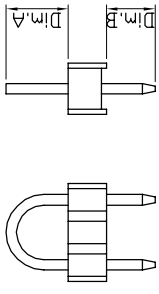


21X11540-XXS23X-XXX-A/B-XXX

Exterior Dimension

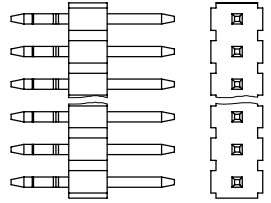


A10

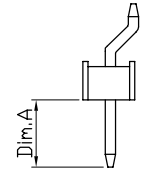


21X11540-XXA10X-XXX-A/B-XXX

Exterior Dimension

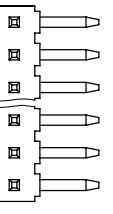


J10

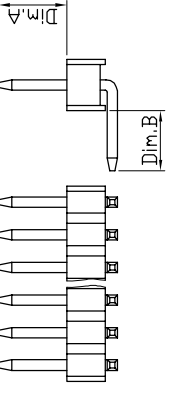


21X11540-XXJ10X-XXX-A-XXX

Exterior Dimension

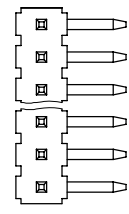


D00

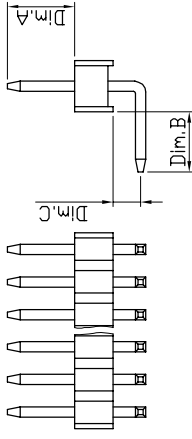


21X11540-XXD00X-XXX-A/B-XXX

Exterior Dimension

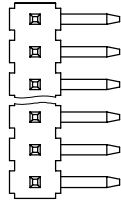


D10

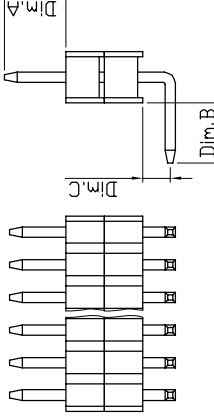


21X11540-XXD10X-XXX-A/B/C-XXX

Exterior Dimension



D20



21X11540-XXD20X-XXX-A/B/C-XXX

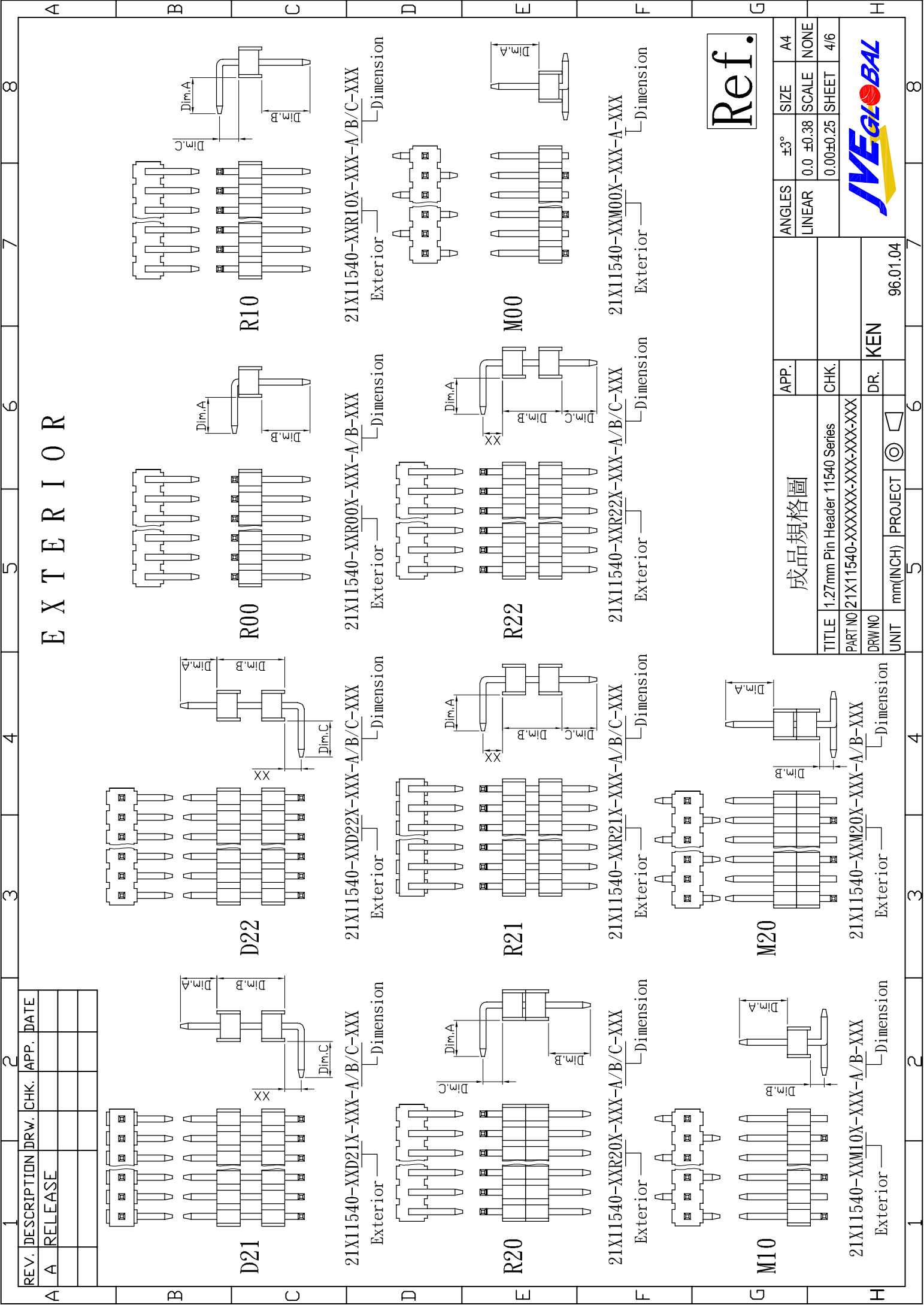
Exterior Dimension

Ref.

成品規格圖		APP.	ANGLES	±3°	SIZE	A4
TITLE 1.27mm Pin Header 11540 Series		CHK.	LINEAR	0.0	±0.38	NONE
PART NO 21X11540-XXXXXX-XXX-XXX-XXX				0.00	±0.25	3/6
DRW NO		DR.	KEN			
UNIT	mm(INCH)	PROJECT	96.01.04			



1 2 3 4 5 6 7 8



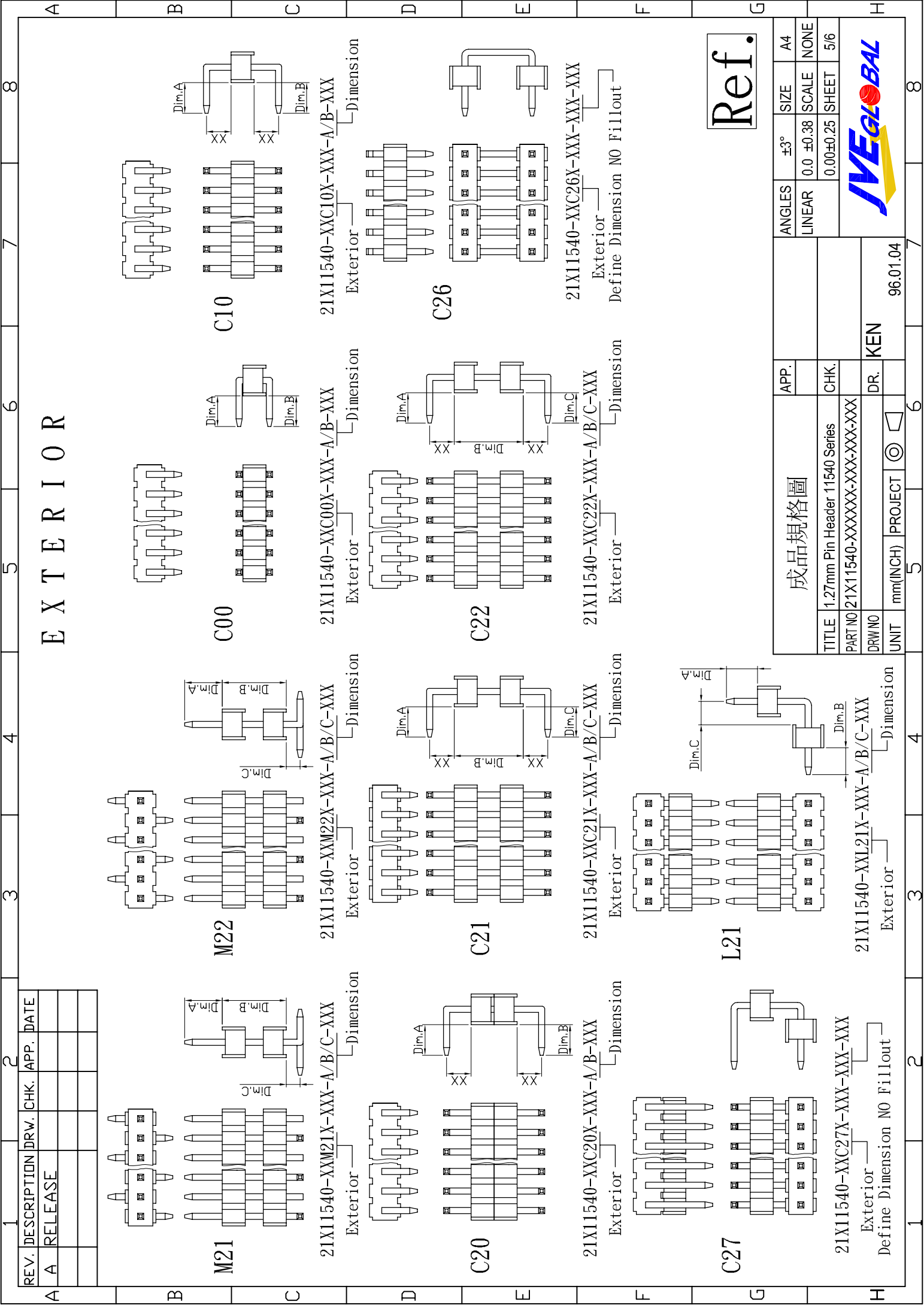
EXTERIOR

REV.	DESCRIPTION	DRW.	CHK.	APP.	DATE
A	RELEASE				

Ref.

成品規格圖		APP.	ANGLES	±3°	SIZE	A4
TITLE 1.27mm Pin Header 11540 Series		CHK.	LINEAR	0.0	±0.38	NONE
PART NO 21X11540-XXXXXX-XXX-XXX-XXX				0.00	±0.25	SHEET 4/6
DRW NO		DR.				
UNIT mm(INCH)		PROJECT				





REV.	DESCRIPTION	DRW.	CHK.	APP.	DATE
A	RELEASE				

成品規格圖		APP.	ANGLES	±3°	SIZE	A4
TITLE 1.27mm Pin Header 11540 Series		CHK.	LINEAR	0.0	±0.38	NONE
PART NO 21X11540-XXXXXX-A/B/C-XXX				0.00±0.25		5/6
DRW NO		DR.	KEN			
UNIT mm(INCH)		PROJECT	96.01.04			



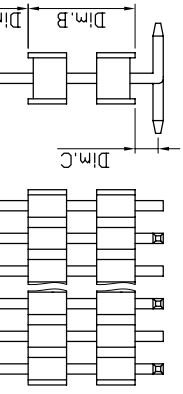
Ref.

1 2 3 4 5 6 7 8

A B C D E F G H

EXTERIOR

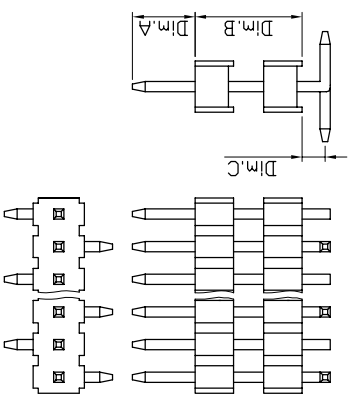
M21



21X11540-XXM21X-XXX-A/B/C-XXX

Exterior Dimension

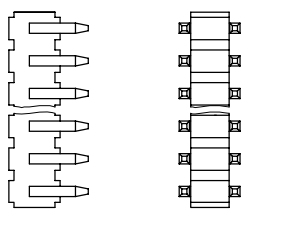
M22



21X11540-XXM22X-XXX-A/B/C-XXX

Exterior Dimension

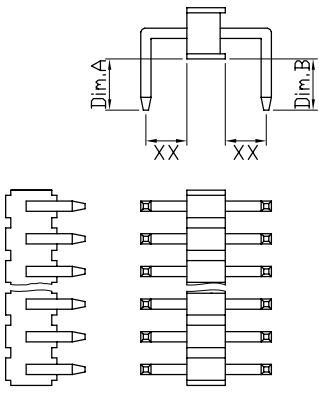
C00



21X11540-XXC00X-XXX-A/B-XXX

Exterior Dimension

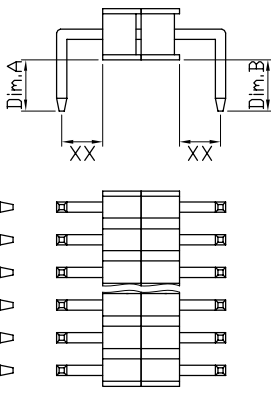
C10



21X11540-XXC10X-XXX-A/B-XXX

Exterior Dimension

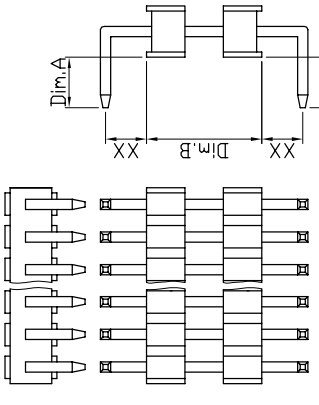
C20



21X11540-XXC20X-XXX-A/B-XXX

Exterior Dimension

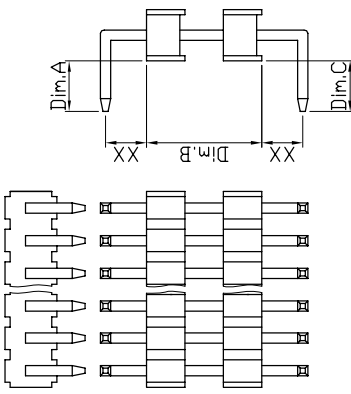
C21



21X11540-XXC21X-XXX-A/B/C-XXX

Exterior Dimension

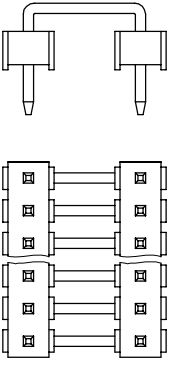
C22



21X11540-XXC22X-XXX-A/B/C-XXX

Exterior Dimension

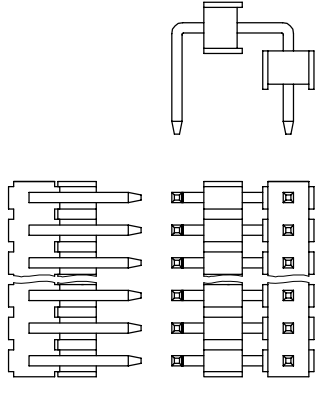
C26



21X11540-XXC26X-XXX-XXX-XXX

Exterior Define Dimension NO Fillout

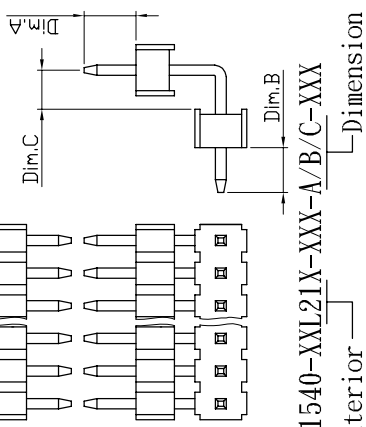
C27



21X11540-XXC27X-XXX-XXX-XXX

Exterior Define Dimension NO Fillout

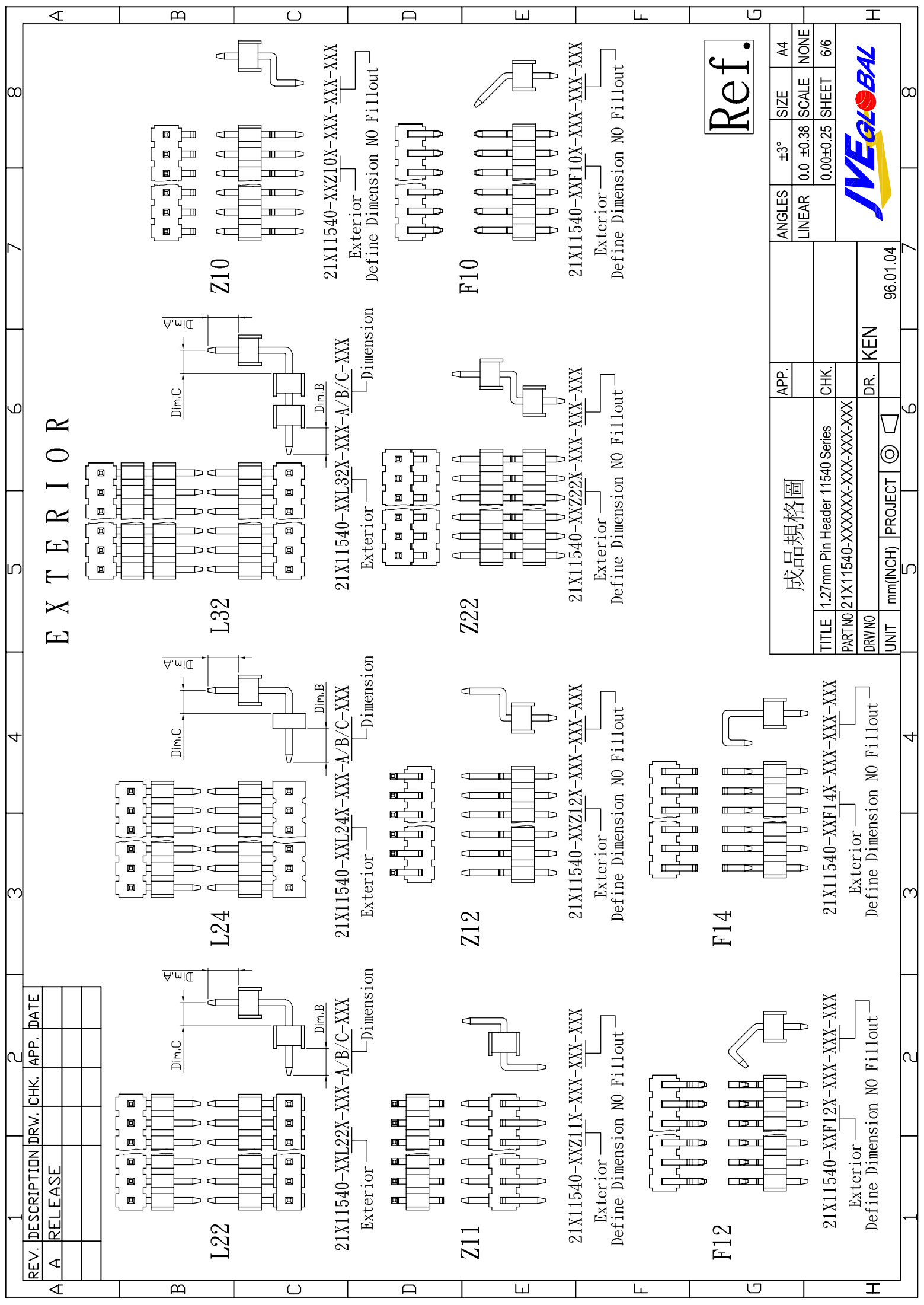
L21



21X11540-XXL21X-XXX-A/B/C-XXX

Exterior Dimension

1 2 3 4 5 6 7 8



REV.	DESCRIPTION	DRW.	CHK.	APP.	DATE
A	RELEASE				

Ref.

成品規格圖		APP.	ANGLES	±3°	SIZE	A4
TITLE: 1.27mm Pin Header 11540 Series		CHK.	LINEAR	0.0	±0.38	NONE
PART NO: 21X11540-XXXXXX-XXX-XXX-XXX				0.00±0.25	SHEET	6/6
DRW NO		DR.	KEN			
UNIT	mm(INCH)	PROJECT	96.01.04			

