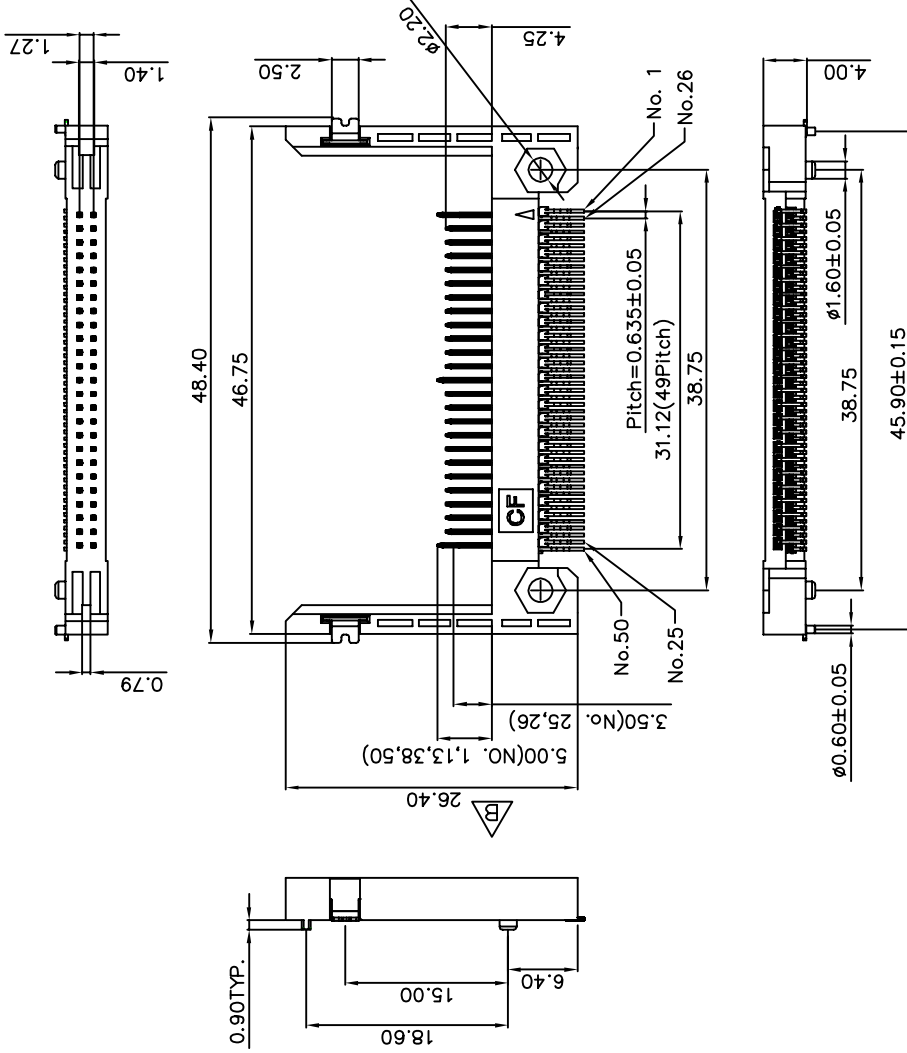
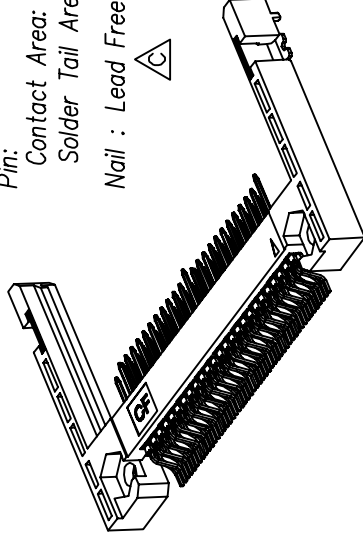


RCV.	DESCRIPTION	DRW.	CHK.	APP.	DATE
A	RELEASE				
B	尺寸變更	王慧芬	傅瑞慈	林金福	92.01.23
C	電鍍及材質變更	王日錫	溫麗香	陳國標	94.12.19

NOTE: 1) Material:  
Housing: LCP+G.F.(E130i) UL 94V-0  
PIN: Brass  
Nail: Brass

2) Plating:  
Pin:  
Contact Area: Gold 5u" Over 40u" Nickel  
Solder Tail Area: 100u" Tin Over 50u" Nickel  
Nail: Lead Free



Recommended P.C.B. Layout

成品規格圖		APP.	ANGLES	±3°	SIZE	A4
TITLE	CF CARD CONN-Normal	CHK.	LINEAR	0.0 ±0.38	SCALE	1:1
PART NO	25J04-5100-A			0.00±0.25	SHEET	1/1
DRW NO	250020	DR.	王慧芬			
UNIT	mm(INCH)	PROJECT	91.09.26			

