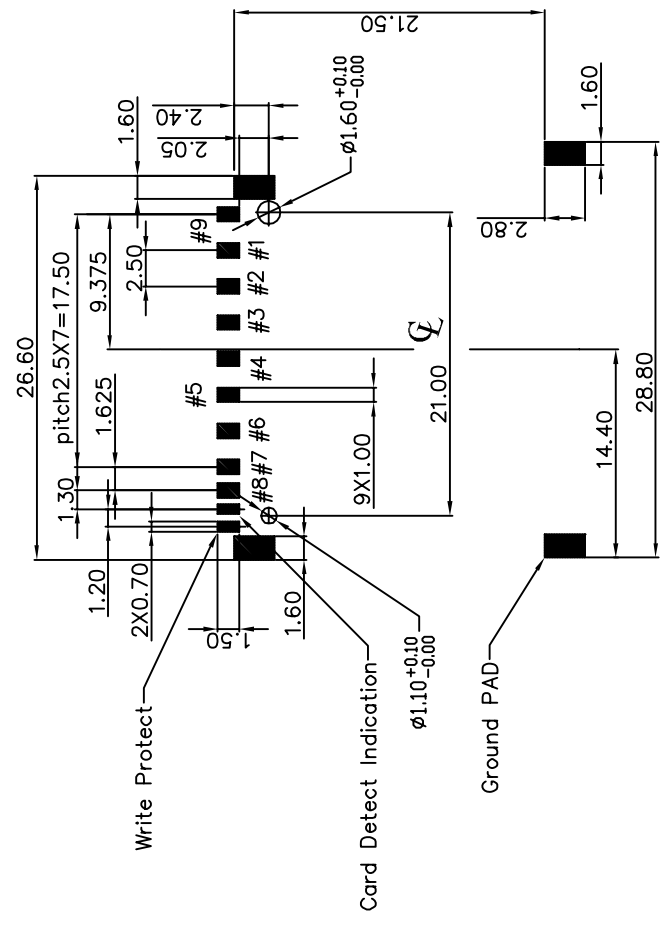
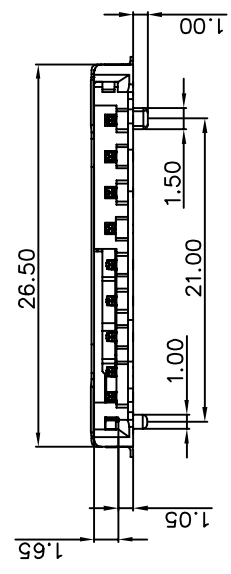
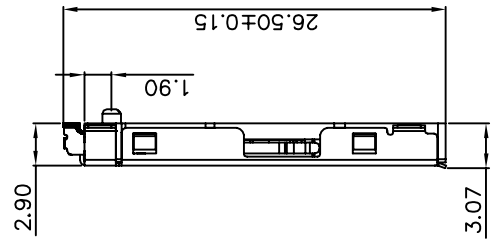
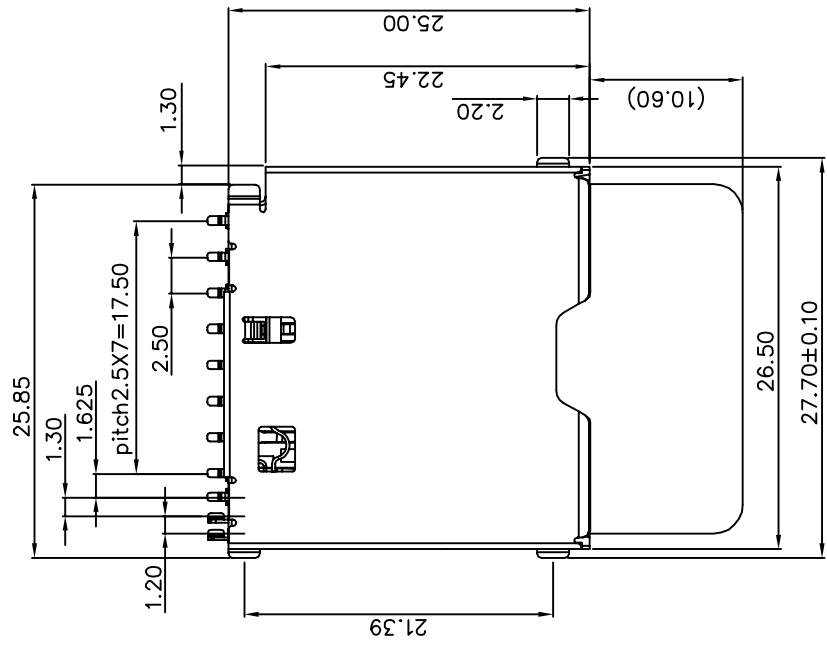
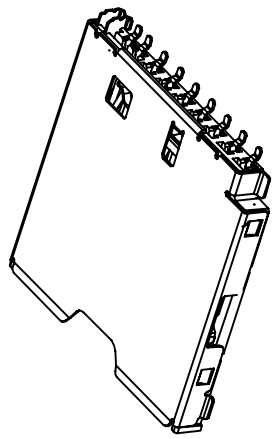


REV.	DESCRIPTION	DRW.	CHK.	APP.	DATE
A	RELEASE				

NOTE:

- 1) Material: UL 94V-0, LCP+30% G/F
 Insulator: Color : Ivory
 Contact: Phosphor Bronze
- 2) Plating:
 Contact: 10u" Gold Over 50 u" Ni
 Terminals: SnPb over Ni
- 3) Solder tail to be within 0.05 upward and 0.2 downward from Z-Datum place
 And coplanarity of solder tails to be within 0.12mm



PCB LAYOUT

成品規格圖		APP.	ANGLES	±3°	SIZE	A4
SD Card Conn Manual Type		CHK.	LINEAR	0.0 ±0.38	SCALE	1:1
PART NO 25J02-0920				0.00±0.25	SHEET	1/1
DRAW NO 250025		DR. 王慧芬				
UNIT mm(INCH)		PROJECT	90.08.05			

