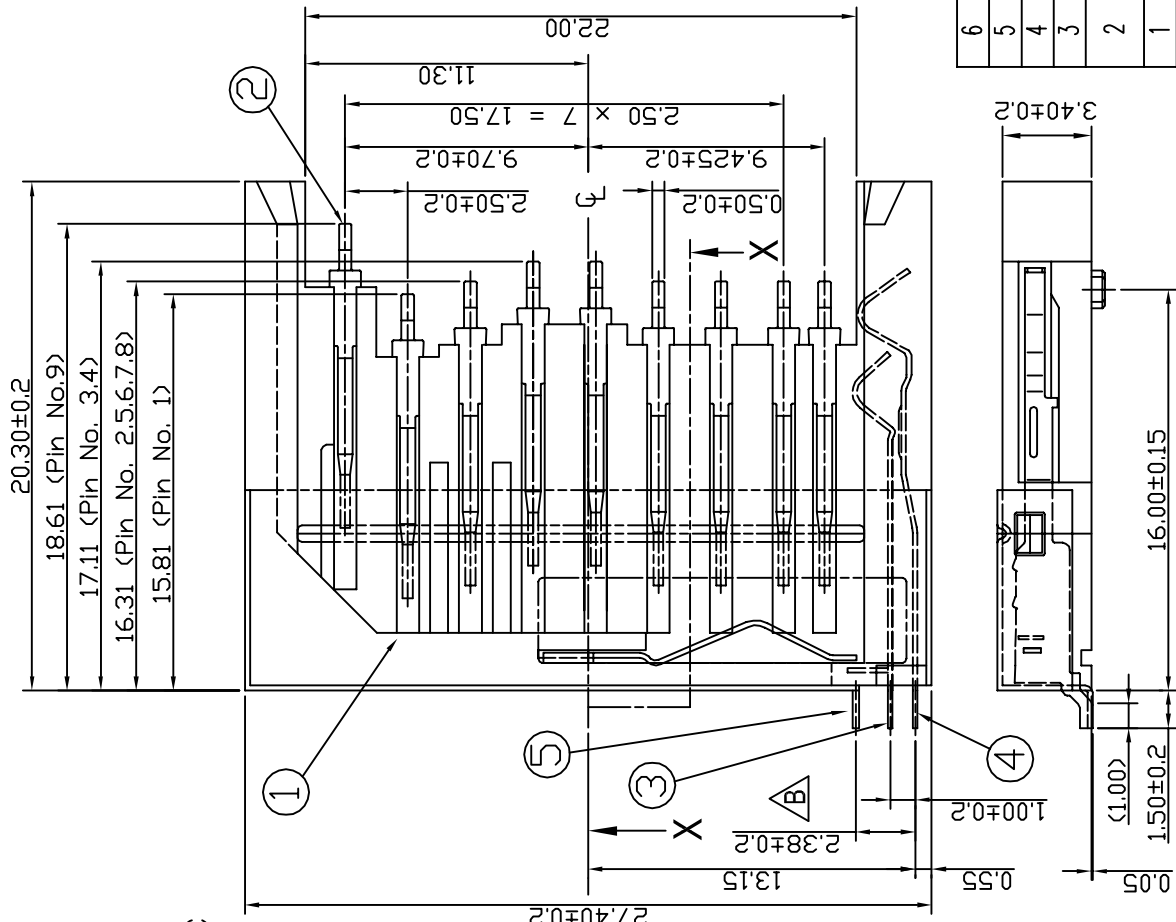
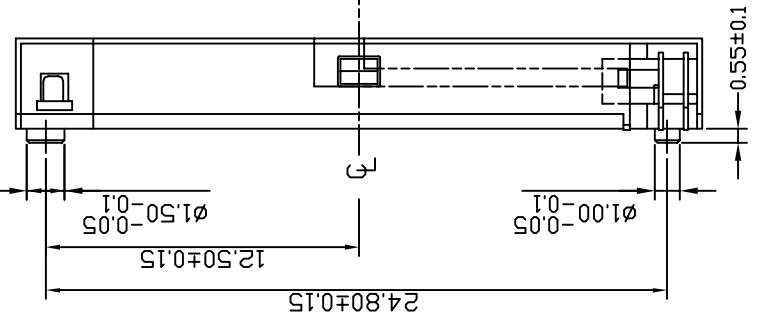


REV.	DESCRIPTION	DRW.	CHK.	APP.	DATE
A	RELEASE	王慧芬	王盛富	鄧豐霖	91.04.08
B	⑤ 形狀變更	王日賜	溫麗香	陳國樑	94.12.19
C	電鍍變更及板材厚度與材質變更				

**SPECIFICATIONS**  
 Current Rating: 0.5A  
 Insulator Resistance: 1000Mohms min. at 500V DC  
 Contact Resistance: 100mohms 1mA/20mV max.  
 Withstanding Voltage: 500V AC rms for 1 minute  
 Operating Temp. Range: -25°C to +85°C  
 Voltage Rating: 250V rms AC  
 Contact Capability: 0.1mm Max.  
 Mating Cycles: 10,000 (office environment)



ITEM	DESCRIPTION	QNT.	MATERIAL
6	card brake	1	PB. t0.35 Ni-Sn
5	card detector switch	1	PB. t0.2 Ni
4	write protect switch-2	1	PB. t0.2 Ni-Au
3	write protect switch-1	1	PB. t0.2 Ni-Au
2	contact	9	Contact area=Ni-Au Solder tail=Ni-Sn
1	insulator	1	LCP glass filled Black

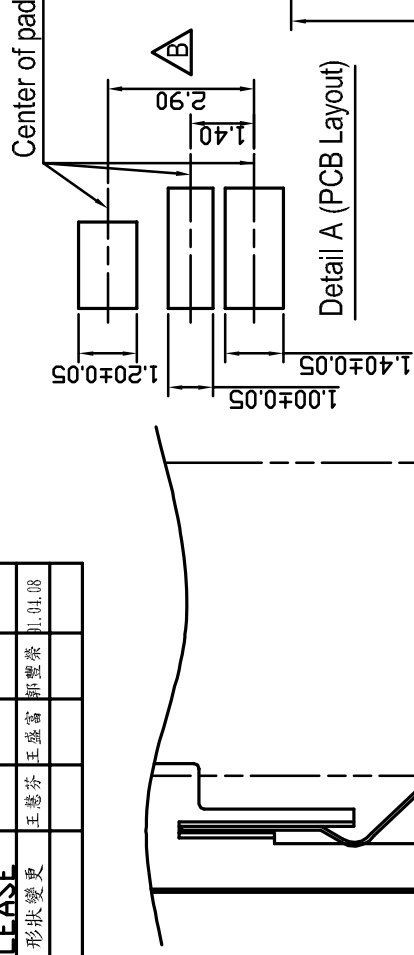
APP.		ANGLES	±3°	SIZE	A4	
TITLE		LINEAR	0.0	±0.38	SCALE	1:1
PART NO		0.00±0.25		SHEET	1/1	
DRW NO		250003		PROJECT		◎
UNIT		mm(INCH)		PROJECT		◎

成品規格圖  
 SD Card Reader  
 PART NO 25J02-0900  
 DRW NO 250003  
 UNIT mm(INCH) PROJECT ◎

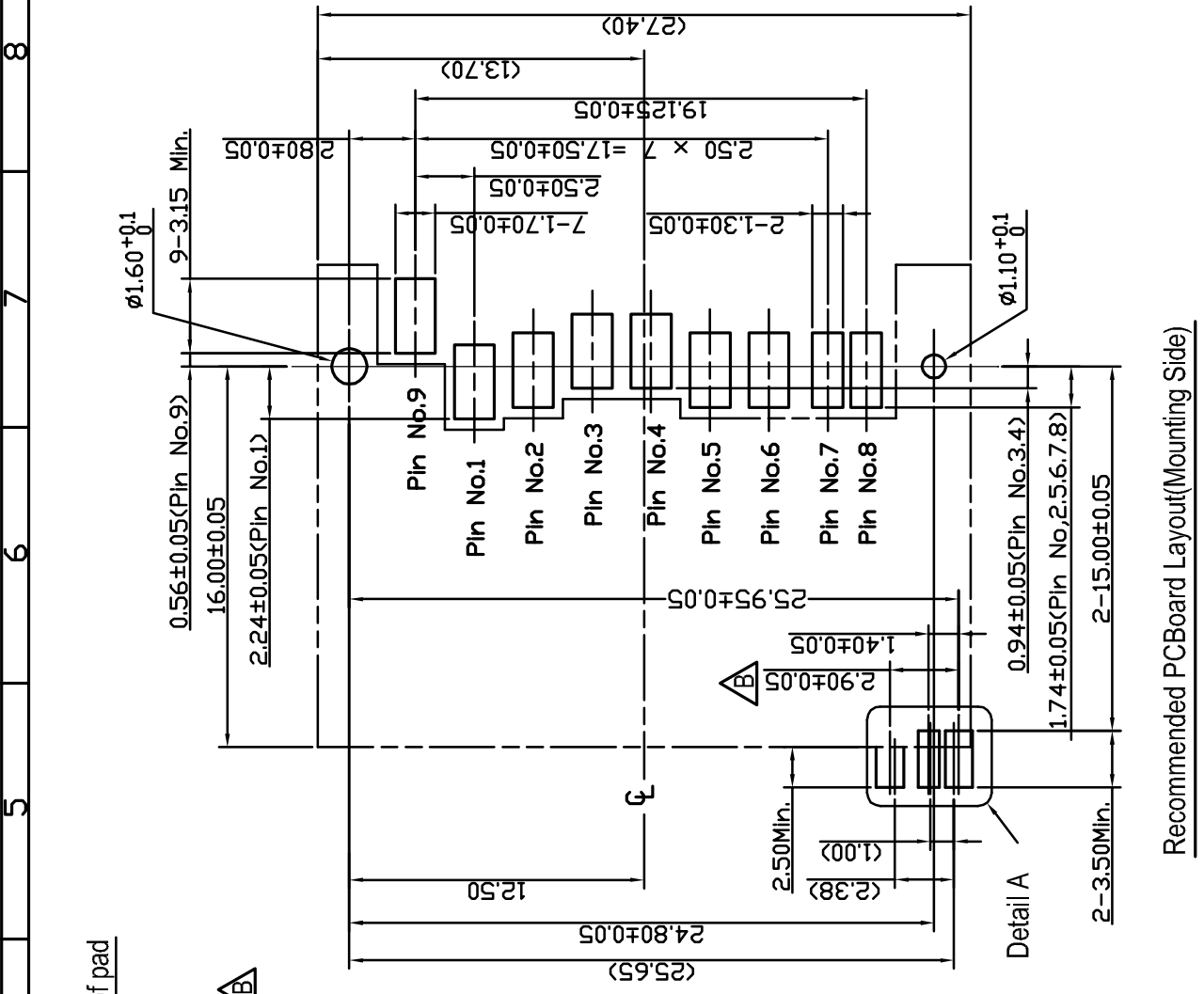


DR. 王慧芬  
 90.04.23

REV.	DESCRIPTION	DRW.	CHK.	APP.	DATE
A	RELEASE				
B	⑤ 形狀變更	王慧芬	王盛富	郭豐榮	11.04.08

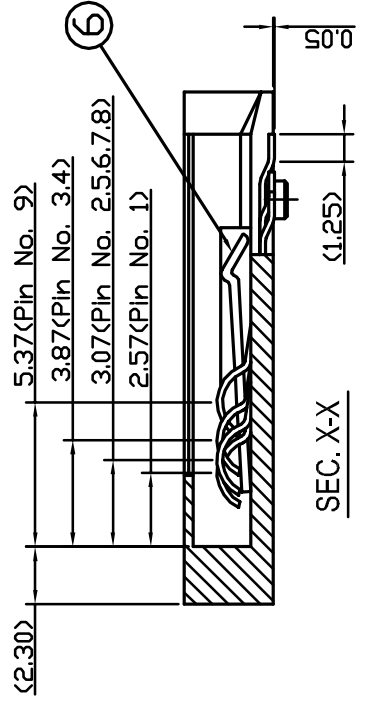


Detail A (PCB Layout)



Detail A

The status of changed write protect switch inserted card



SEC. X-X

Recommended PCB Board Layout (Mounting Side)

APP.		ANGLES	±3°	SIZE	A4
TITLE 成品規格圖		LINEAR	0.0 ±0.38	SCALE	1:1
PART NO 25J02-0900		0.00±0.25		SHEET	1/1
DRW NO 250004					
UNIT mm(INCH) PROJECT					
DR. 王慧芬		90.04.23			