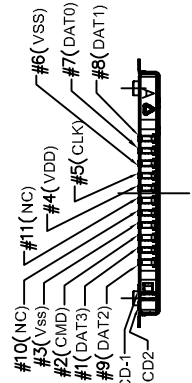
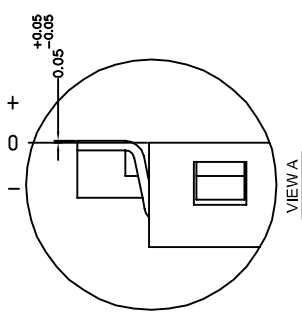


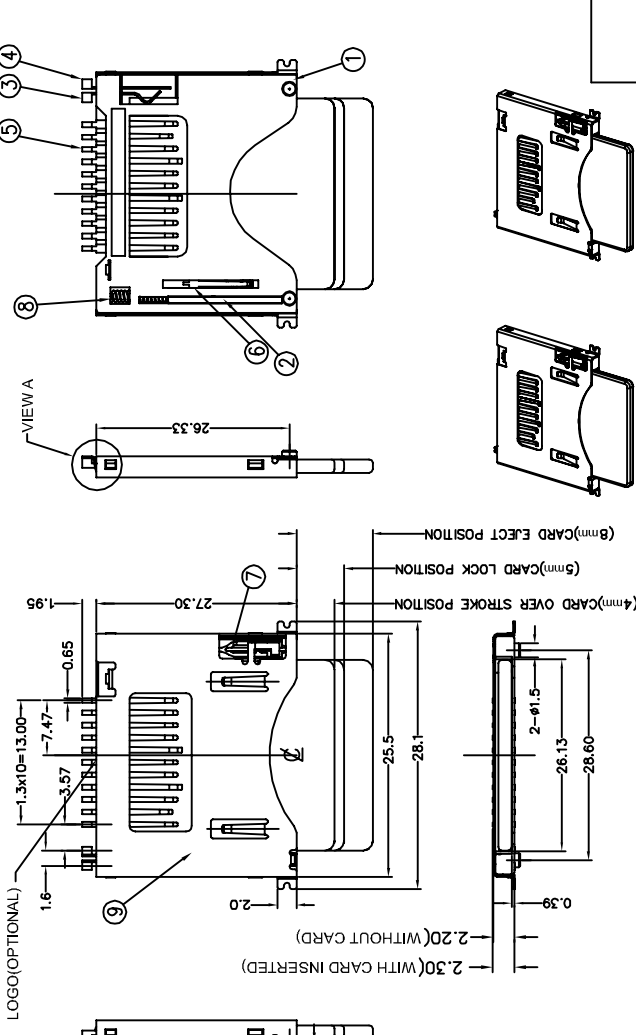
REV.	DESCRIPTION	DRW.	CHK.	APP.	DATE
A	RELEASE				



CARD DETECTION PROCEDURE IS SHOWN BELOW

CARD DETECTION SWITCH	
NO CARD	CARD INSERTED
OPEN	CLOSE
CD-1	CD-2
CD-1	CD-2
CD-1	CD-2

RECOMMENDED PCB LAYOUT
SOLDERING SIDE(TOLERANCES ±0.05)



- NOTES:
- CO-PLANARITY SHALL BE 0.1mm Max.
 - OPERATION TEMPERATURE: -25°C/85°C
 - LIFE: 10000 MATING CYCLE
 - CONTACT FORCE: 0.2N Min.(PER ONE CONTACT)
 - PACKING: TAPE & REEL or TRAY
 - CONTACT RESISTANCE: 100m ohm
 - INSULATION RESISTANCE: >1000M ohm
 - SOLDER HEAT RESISTANCE/TIME: IR REFLOW (PEAK TEMP.: 260°C 10SECS)
 - TO CONFORM TO THE "SE-01-001" & "ROHS DIRECTIVE"
 - GREEN PRODUCT IDENTIFICATION MARK IN JACK:
 - GREEN PRODUCT IDENTIFICATION LABEL IN PACKING:
 - FOR LEAD-FREE PROCESS.

9	SHIELDING	1	STAINLESS STEEL	GOLD FLASH, UNDER:NI
8	SPRING	1	STEEL WIRE	NI PLATING
7	PIN	1	STAINLESS STEEL	
6	TERMINAL LOCK	1	STAINLESS STEEL	
5	TERMINAL	1Set	COPPER ALLOY	SELECTIVE PLATED GOLD 10u"
4	TERMINAL CD-2	1	COPPER ALLOY	GOLD FLASH, UNDER:NI
3	TERMINAL CD-1	1	COPPER ALLOY	GOLD FLASH, UNDER:NI
2	CAM	1	HIGH TEMP. THERMOPLASTIC UL 94V-0	BLACK
1	BODY	1	HIGH TEMP. THERMOPLASTIC UL 94V-0	BLACK
NO	DESCRIPTION	QTY	MATERIAL	PLATING & COLOR

UNLESS OTHERWISE SPECIFIED TOLERANCES
 DECIMALS: ANGLES:
 X ±0.5 X ±1°
 X.X ±0.25 X.X ±0.5°
 X.XX ±0.13

成品規格圖

TITLE	MINI SD PUSH/PUSH CONNECTOR/CHK.
PART NO	25J1403-13R10-01P
DRW NO	250059
UNIT	mm(INCH) PROJECT
DR.	卓欽堂
	94.08.17

