

**SPECIFICATIONS**  
 Current Rating: 0.5A  
 Insulator Resistance: 1000Mohms min. at 500V DC  
 Contact Resistance: 100mohms 1mA/20mV max.  
 Withstanding Voltage: 500V AC rms for 1 minute  
 Operating Temp. Range: -25°C to +85°C  
 Voltage Rating: 250V rms AC  
 Coplanarity: ≤ 0.1mm  
 Mating Cycles: 10,000 (office environment)

REV.	DESCRIPTION	DRW.	CHK.	APP.	DATE
A	RELEASE	王慧芬	王盛富	郭豐榮	91.04.08
B	⑤ 形狀變更	王慧芬	王盛富	郭豐榮	91.04.08

ITEM	DESCRIPTION	QNT.	MATERIAL
6	card brake	1	PB. t0.35 Ni-SnPb
5	card detector switch	1	SUS304 t0.15
4	write protect switch-2	1	PB. t0.18 Ni-Au
3	write protect switch-1	1	PB. t0.23 Contact area=Ni-Au Solder tail=Ni-SnPb
2	contact	7	LCP glass filled Black
1	insulator	1	MATERIAL

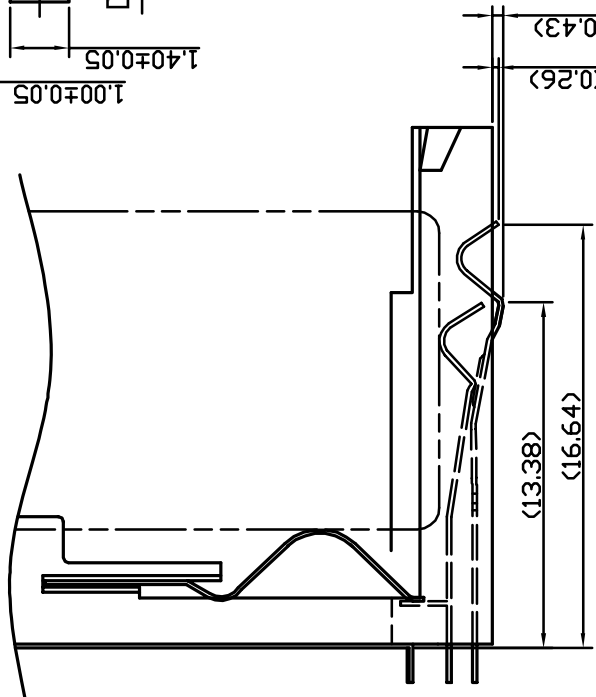
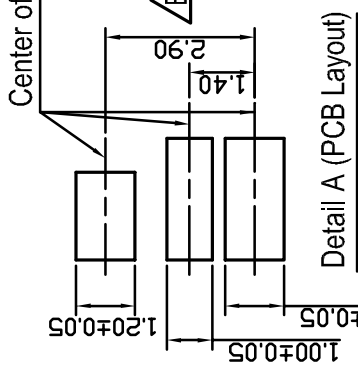
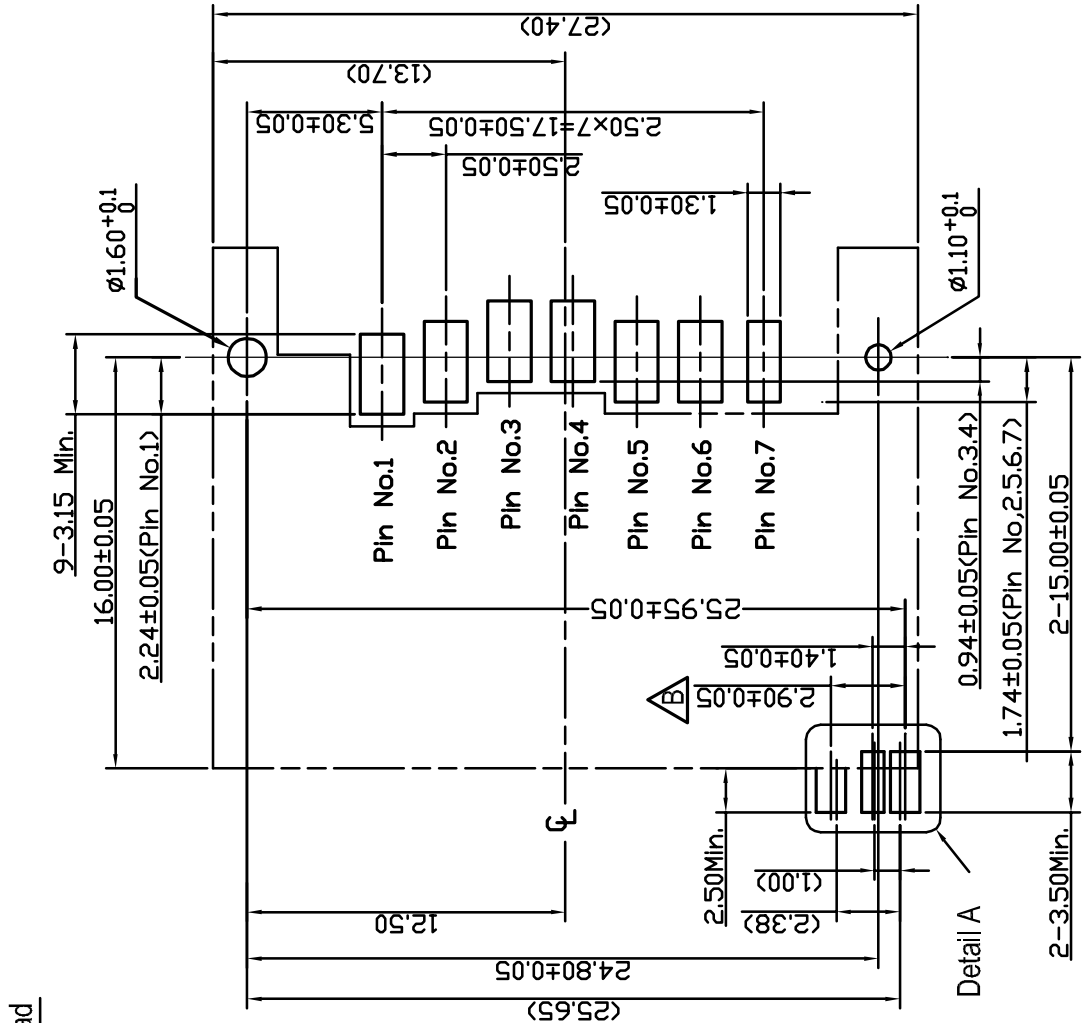
成品規格圖

TITLE	MMC Card Reader	CHK.	
PART NO	25J01-0700	DR.	王慧芬
DRW NO	250005	PROJECT	90.04.23
UNIT	mm(INCH)		

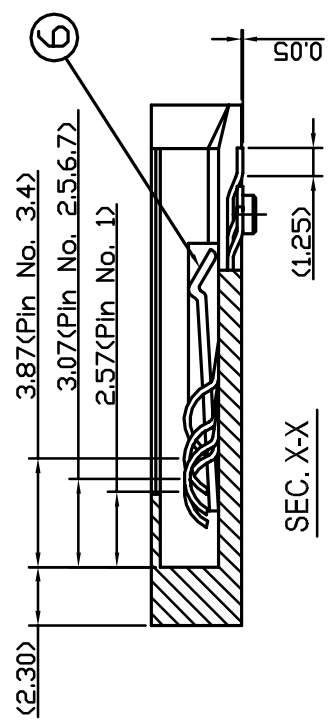
ANGLES	±3°	SIZE	A4
LINEAR	0.0 ±0.20	SCALE	1:1
	0.00±0.15	SHEET	1/1



REV.	DESCRIPTION	DRW.	CHK.	APP.	DATE
A	RELEASE				
B	形状變更	王慧芬	王盛富	郭豐榮	01.04.08



The status of changed write protect switch inserted card



Recommended PCBBoard Layout(Mounting Side)

成品規格圖		APP.	ANGLES	±3°	SIZE	A4
TITLE	MMC Card Reader	CHK.	LINEAR	0.0 ±0.20	SCALE	1:1
PART NO	25J01-0700			0.00±0.15	SHEET	1/1
DRW NO	250006	DR.				
UNIT	mm(INCH)	PROJECT				
		王慧芬				
		90.04.23				

